

TRIBHUVAN UNIVERSITY  
INSTITUTE OF ENGINEERING  
**Examination Control Division**  
2080 Baishakh

Exam.	Back		
Level	BE	Full Marks	80
Programme	All (Except BAR and BAS)	Pass Marks	32
Year / Part	I / I	Time	3 hrs.

**Subject: - Computer Programming (CT 401)**

- ✓ Candidates are required to give their answers in their own words as far as practicable.
- ✓ Attempt All questions.
- ✓ The figures in the margin indicate Full Marks.
- ✓ Assume suitable data if necessary.

1. a) How is an application software different from system software? Explain with examples. [4]
- b) How is code in source file is converted to the executable file? Explain with key steps involved. [4]
2. a) How is constant different than a variable? [2]
- b) Write a C program to read an integer 'd' from the user. If 'd' is the radius of a circular ground in meters, then this program should calculate and display the area of the circle in square meter. [6]
3. What are formatted input/ output functions? Explain each in detail with examples. [2+4]
4. a) Differentiate between library function and user defined functions. Provide relevant examples. [3]
- b) What is a function prototype? Write a C program to find sum of first 10 natural numbers using recursion. [1+4]
5. a) Write a program to read marks of 48 students in a class and display the second highest mark. [5]
- b) How can we copy one string to another string without using any string handling function? [5]
6. What do you mean by array of structure? Write a program to create a structure named "Student" having members Roll, Name, Address and Marks. Use this structure to read the information of 48 students in a class and display the information of only those students whose marks is between 50 and 70. [2+8]
7. What are pointer arithmetic? Explain with example. Write a C program that uses pointer to read  $m \times n$  matrix from user. Pass it to function that finds the transpose of the matrix. [4+4]
8. a) How is a binary file different than a text file? Write the syntax and use of fseek () and rewind() functions in C. [2+2]
- b) Write a C program to read the name, year\_of\_release, and language of 3 movies. Save the movie data of all 'English' language movies in a data file. [4]
9. What is the use of FORMAT statement? Explain l and F format with example. Write a program in FORTRAN to read a number from user and check whether it is a prime number or not. [4+4]
10. Write short notes on: [2×3]
  - a) While and do-while statement
  - b) String manipulation in C.



TRIBHUVAN UNIVERSITY  
INSTITUTE OF ENGINEERING  
**Examination Control Division**

2079 Bhadra

Exam.	Regular		
Level	BE	Full Marks	80
Programme	All except BAS & BAR	Pass Marks	32
Year / Part	I / I	Time	3 hrs.

**Subject: - Computer Programming (CT 401)**

- ✓ Candidates are required to give their answers in their own words as far as practicable.
- ✓ Attempt All questions.
- ✓ The figures in the margin indicate Full Marks.
- ✓ Assume suitable data if necessary.

1. a) Differentiate between system software and application software. Provide relevant examples for each of them. [4]
- b) List the steps involved in solving a problem using a computer. Why do we need an algorithm before writing program code? [2+2]
2. a) Define tokens in C programming language. How are variables declared as constant? Explain with example. [2+2]
- b) Write the output of the following: [6]
 

```
# include < stdio.h >
int main ( )
{
char str1 [50], str2 [50] = { 'N', 'E', 'P', 'A', 'L' };
scanf ( "% [A-Z]" , str1 );
printf ("%s\n" , str1 );
printf ("% 0.5 s\n" , str2 );
printf ("% 5.3 s\n" , str2 );
printf ("% -0.3 s" , str2 );
return 0;
}
Input string: KATHmanDU
```
3. How are break and continue statements used to jump out from the loop? Write a program to evaluate the following series until the term value becomes less than  $10^{-6}$ :  $\cos(x) = 1 - \frac{x^2}{2!} + \frac{x^4}{4!} - \frac{x^6}{6!} + \frac{x^8}{8!} \dots$  [4+6]
4. a) Write a syntax of function declaration, function definition and function call in C programming. Can a main function be called recursively in C? Justify your opinion. [3+1]
- b) Explain the use of recursive function with a suitable example. [4]
5. a) Differentiate between array and string. Explain how to declare and use multi dimensional arrays in C. [3+2]
- b) Write a C program to read a string from the user. Pass the string to a function and sort the alphabets in descending order. For example, if the user entered "exam" then the program should display "xmea". [5]
6. a) What is the meaning of data type used in pointer declaration? Define a function in your program to swap two integers using pass by reference. [1+3]
- b) Write a program to find the frequency of a number in array. Explain the relation of pointer and array using this program. [4]
7. Write the purpose and syntax of fopen () and fclose () function. WAP to create a structure book with its member name price and author. Read 10 records from user write it to a file named "book.dat". Read information from book.dat file, search author name "Gottfried". If found copy the records to a file "gottfried.dat" [3+7]
8. What are the data types available in FORTRAN? Write a program in FORTRAN to check a number is palindrome or not. [3+5]
9. Write short notes on: [2×4]
  - a) Associativity in C
  - b) Entry and exit control loop

TRIBHUVAN UNIVERSITY,  
INSTITUTE OF ENGINEERING  
**Examination Control Division**  
2079 Baishakh

Exam.	Back		
	Level	BE	Full Marks
Programme	All (Except BAR and BAS)	Pass Marks	32
Year / Part	I / I	Time	3 hrs.

**Subject: - Computer Programming (CT 401)**

- ✓ Candidates are required to give their answers in their own words as far as practicable.
- ✓ Attempt All questions.
- ✓ The figures in the margin indicate Full Marks.
- ✓ Assume suitable data if necessary.

1. Explain the program development and compilation process in detail. Draw a flowchart to find all possible roots of a quadratic equation. [4+4]
2. Describe fundamental data types in the C programming language. What are relational and logical operators? Explain their precedence, associativity and their uses with example. [3+1+4]
3. Explain how scanf() and printf() are used. Write syntax and use of gets(), getchar(), scanf() and getch(); [4+4]
4. Discuss the difference between while and dowhile structure with examples. Write a program to find the following sum of following series up to n terms. [3+5]

$$\text{sum} = 1 + \frac{x^1}{1!} + \frac{x^2}{2!} + \frac{x^3}{3!} + \frac{x^4}{4!} + \dots$$

5. Give the necessary condition for a function to be a recursive. Write a program to generate Fibonacci series up n terms. You need to make a recursive function to generate the each term of Fibonacci series. [3+5]
6. Why do we need array in programming? Write a program to display the addition of two matrix. Your program should include one function named input to enter the values of two matrix, one function named add to perform addition of two matrix and one function named display to show the result obtained after addition of two matrix. [1+7]
7. What is difference between array and structure? Create a structure TIME containing hour, minutes and seconds as its member. Write a program that uses this structure to input start time and stop time. Pass structures to a function by reference that calculates the sum and difference of start and stop time. Display the sum and difference from calling function. [2+6]
8. How is an array related with pointer? Write a program to read a string containing letters, numbers and special characters, transfer only letters contained in it into another string using pointer, finally display the second string containing only alphabets. [2+6]
9. Discuss "a", "r" and "w" modes used in data file operations. Write a program that reads numbers from a file containing series of numbers and separates odd numbers from even numbers and writes them on two separate files. [2+6]
10. How are one dimensional array declared in FORTRAN. Write a program in FORTRAN to read and compute the transpose of any matrix. [2+6]



TRIBHUVAN UNIVERSITY  
INSTITUTE OF ENGINEERING  
**Examination Control Division**  
2078 Bhadra

Exam.	Regular		
Level	BE	Full Marks	80
Programme	ALL except BAR	Pass Marks	32
Year / Part	I / I	Time	3 hrs.

**Subject: - Computer Programming (CT 401)**

- ✓ Candidates are required to give their answers in their own words as far as practicable.
- ✓ Attempt All questions.
- ✓ The figures in the margin indicate Full Marks.
- ✓ Assume suitable data if necessary.

1. a) What is a program? Explain different types of programming language in brief. [1+3]  
 b) What is an algorithm? Explain how does algorithm and flowchart helps in computer programming. [1+3]
2. a) Explain Ternary operator in C with an example. Define following terms. [2+2]  
 (i) Preprocessor directives                      (ii) Keywords  
 b) Write the output of the following C program. [4]  

```
int a,b;
double c = 123.55667788
char str[] = "I enjoy programming";
scanf(" %3d%2d", &a, &b);
printf("a = %5\n b=%-7d",a,b);
printf("\n%10.7s",str);
printf("\n%0.3f",c);
printf("\n%-10.6f",c);

input:123456            789
```
3. Write the difference between formatted I/O and unformatted I/O functions in C-programming. Write the syntax for following functions. [2+4]  
 (i) getch()            (ii) getchar()            (iii) scanf()
4. a) What do you mean by iteration? Explain the operation of break and continue statement with a suitable example. [1+3]  
 b) Write a C program to check whether an entered word is a palindrome or not without using library function. [6]
5. a) What do you mean by a function header? Explain the function parameters and its types. [1+3]  
 b) Write a C program to calculate the sum of digits of a given number unless the sum becomes a single digit using recursion. [Hint: 9785 => 29 => 11 => 2] [4]
6. a) What is an array? Why is it necessary in c programming? [1+2]  
 b) Write a program which display following pattern. [5]  

```
H
HE
HEL
HELL
HELLO
HELL
HEL
HE
H
```

7. Is there any relation between array and pointer? If yes, show the relation between array and pointer with a suitable example. [1+3]
8. What is structure? Write a program to read a structure named "Faculty" having StaffID, Name, Address and ServiceYear as member. Where ServiceYear is another structure having DurationInYear as member. Now display the details of those faculties whose service duration is more than 10 and less than 30 years. [1+7]
9. a) Why do we need file handling? Write different modes of file opening. [1+3]  
b) What is the purpose of fseek and write a program to write the name, roll no, and age of five students into a disk file name "STUDENT.DAT". [6]
10. Describe X format and T format in FORTRAN. Differentiate between unconditional goto and computed goto in FORTRAN. Write a program in FORTRAN to sort elements of a ID array in ascending as well as descending order. [2+2+6]

\*\*\*

TRIBHUVAN UNIVERSITY  
 INSTITUTE OF ENGINEERING  
**Examination Control Division**  
 2078 Kartik

Exam.	Back		
Level	BE	Full Marks	80
Programme	All except BAR	Pass Marks	32
Year / Part	I / I	Time	3 hrs.

**Subject: - Computer Programming (CT 401)**

- ✓ Candidates are required to give their answers in their own words as far as practicable.
- ✓ Attempt All questions.
- ✓ The figures in the margin indicate Full Marks.
- ✓ Assume suitable data if necessary.

1. a) Discuss the recent software trends. Explain in details about the features that a software should include. [2+2]
- b) List out the general rules for flowcharting. What are the errors that might occur during debugging? [2+2]
2. a) What are pre-processor directives? Explain compilation process with suitable block diagram. [1+3]
- b) Why do we need to analyse the problem before solving it? Define tokens, expression and identifiers. [1+3]
3. a) What is the control statement? Write down the classification of control statements. [1+2]
- b) Write down the syntax of a given function. [4×1]
  - (i) printf()
  - (ii) scanf()
  - (iii) getchar()
  - (iv) getch()
4. a) Write the output of following program: [3]
 

```
int main()
{
char ch='G';
int g=10;
float gravity = 9.81;
printf("%d\n", g);
printf("%10d\n", g);
printf("%3c\n", ch);
printf("%.3f\n", gravity);
printf("%-10.1f%d\n", gravity, g);
return 0;
}
```
- b) Define and write syntax of the following: [3×1]
  - (i) gets()
  - (ii) putchar()
  - (iii) scanf()
5. Why do we need loop for programming? Write a program to evaluate the following series. [2+4]

$$\cos(x) = 1 - \frac{x^2}{2!} + \frac{x^4}{4!} - \frac{x^6}{6!} \dots \div n \text{ terms}$$

6. Why do we need to declare a function? Define formal parameter and actual parameter. Evaluate following series using recursive function. [2+2+4]

1, 11, 111, 1111, 11111, ..... n terms

7. a) Define an array of string with an example. Distinguish between an array and a pointer. [2+2]  
b) Write a C program to insert an element to a desired position to an array using function. The new element to be inserted and desired position should be given by user. [6]
8. a) Define a void pointer with an appropriate example. [2]  
b) Write a C program that uses pointer to represent two 2-D array of size of  $m \times n$  and  $p \times q$  respectively. Find the product of these two matrices if possible otherwise display a message "Calculation cannot be performed" using function. [6]
9. Discuss about nested structure with a suitable example. Create a structure called "student" with data member name, address and id. Pass structure to function and sort the information of student on the basis of alphabetical order of "name" and display the result in main() function. [2+6]
10. Write a C program to create a new file named "employee.dat" which consist the information of 10 employees. Employee information includes empName, salary and post. Read the file back to search the word "manager". [6]
11. Explain different format types used in FORTRAN. Mention different data types used in FORTRAN. [3+2]

\*\*\*

TRIBHUVAN UNIVERSITY  
INSTITUTE OF ENGINEERING  
**Examination Control Division**  
2076 Chaitra

Exam.	Regular		
Level	BE	Full Marks	80
Programme	All except BAS & BAR	Pass Marks	32
Year / Part	I / I	Time	3 hrs.

**Subject: - Computer Programming (CT 401)**

- ✓ Candidates are required to give their answers in their own words as far as practicable.
- ✓ Attempt All questions.
- ✓ The figures in the margin indicate Full Marks.
- ✓ Assume suitable data if necessary.

1. What are different types of computer software? What do you mean by high level and low level programming languages? Along with the block diagram explain the steps involved during compilation of a source code. [2+2+4]
2. Explain different types of error that usually appears during the programming. Define preprocessing directive and explain its type with example. Write the algorithm and draw the flowchart to find the reverse of given number. [2+2+4]
3. Why are formatted output important in C language? Write a program to print all the roots (Even imaginary roots) of quadratic equation. [3+5]
4. Explain the importance of a switch case statement. Compare switch-case with if-else ladder. Write a program to find sum of numbers from 1 to 100 which are exactly divisible by 5 and not by 3. [2+2+4]
5. How is function declared? Why is function prototype necessary? Write recursive function segment that returns the sum of numbers from 1 to n given by the user. [2+1+5]
6. How can you pass one dimensional array to function and what does name of an array in function call represents? Write a program to find the largest and smallest element of an array using a single function and display the result in calling function. [3+5]
7. Explain how a structure can be defined and structure variables can be declared in C. Write a program that reads name, roll numbers, program and marks obtained in five subjects by students until the user enters 'e' and display the student detail and total marks obtained by each student. [3+5]
8. What is pointer? Discuss its relationship with an array. Write a function program that behaves strcpy() function using pointer as argument. [1+2+5]
9. Explain different modes in opening file. Write a program to read a string, write it into a file and display the content of a file into a screen. [4+4]
10. Explain different data types available in FORTRAN. Write a program in FORTRAN to check whether a number given by user is palindrome or not. [2+6]

\*\*\*

TRIBHUVAN UNIVERSITY  
INSTITUTE OF ENGINEERING  
**Examination Control Division**

2076 Ashwin

Exam.	Back		
Level	BE	Full Marks	80
Programme	All (Except BAR and BAS)	Pass Marks	32
Year / Part	I / I	Time	3 hrs.

**Subject: - Computer Programming (CT 401)**

- ✓ Candidates are required to give their answers in their own words as far as practicable.
- ✓ Attempt All questions.
- ✓ The figures in the margin indicate Full Marks.
- ✓ Assume suitable data if necessary.

1. a) Define a language processor. Explain the main types of language processor in detail. [2+3]  
b) List the basic step of problem solving using computer. Write an algorithm and draw a flowchart to find the sum of N natural number. [1+4]
2. a) Define formatted and unformatted I/O functions. Write the operations of following functions: [2+3]  
(i) getch()  
(ii) getche()  
(iii) getchar()  
b) What is an expression? Write a program to display the smallest number between three integers entered from user using conditional operator. [1+4]
3. a) Differentiate between while and Do-while looping statement with example. [4]  
b) Write a program to evaluate the following series up n term. Prompt the user to input value of n and x.  $f(x) = 1 - x^2/2! + x^4/4! - x^6/6! + x^8/8! - \dots$  up to n terms. [6]
4. a) What are the different types of functions available in C? What do you mean by pass by reference and pass by value. [2+3]  
b) What are the similarities and difference between iteration and recursive function? Give suitable example. [5]
5. How do you initialize a 2D array? Explain with an example. Write a program to input two matrices of size m×n and p×q respectively. Pass these matrices to the function to calculate the product matrix. Display the product matrix in the main () function. [2+8]
6. a) What is a structure? When do we use structure? [2+2]  
b) Write a program using pointer to swap the value of two variable where the swapping operation is performed in separate function. [6]
7. a) Why are fgets(), fputs(), fgetc() and fputc() used? [4]  
b) Write a program to display the record in sorted order, sorting is performed in ascending order with respect to name using data files concept. [6]
8. a) Compare Logical IF and Arithmetic If statement in FORTRAN with example. [4]  
b) Write a FORTRAN program to sort 10 integers given from user and display the second largest integer. [6]

\*\*\*

TRIBHUVAN UNIVERSITY  
 INSTITUTE OF ENGINEERING  
**Examination Control Division**  
 2075 Chaitra

Exam.	Regular/B.A.E.		
Level	BE	Full Marks	80
Programme	All (Except BAE)	Pass Marks	32
Year/Part	I/I	Time	3 hrs.

**Subject: - Computer Programming (CT 401)**

- ✓ Candidates are required to give their answers in their own words as far as practicable.
- ✓ Attempt All questions.
- ✓ The figures in the margin indicate Full Marks.
- ✓ Assume suitable data if necessary.

1. a) What is computer programming and computer software? Explain about types of programming languages and software. [2+2]
- b) What do you mean by compiler? Explain in brief the steps involved during compilation process along with block diagram. [2+4]
2. a) What is expression? What kind of information is represented by expression? [2+2]
- b) What is the purpose of the putchar function? How is it used within a C program? Compare with the getchar function with example. [6]
3. a) Compare nested-if control structure with else-if ladder structure along with flowchart. [4]
- b) Write a program to read a number from user, count the number of even digits contained in it and display whether the resulting count is prime or not. [6]
4. a) Write a program to generate the following output. [6]
 

```

      1 2 3 4 5 4 3 2 1
        1 2 3 4 3 2 1
          1 2 3 2 1
            1 2 1
              1
      
```
- b) What is a function? What type is the main () function? Explain actual parameter and formal parameter with example. [1+1+2]
5. a) Write a program to read one dimensional array of n elements, pass it to a function for processing so that, the program should display the largest and smallest element of an array from the main function. [6]
- b) How can we initialize 2D array of character data type during compilation? Illustrate with suitable example. [4]
6. a) What is a structure? Explain nested structure with an example. [1+2]
- b) Write a program to define a structure named Person with Name, address, salary as its member. Enter values for five persons. Pass the structure to a function which increases the salary by 15% each. Display the updated information in the main () function. [7]

7. a) Write the output of the following.

[6]

a

10

b

c

address: 65510

address: 65550

address: 65580

```
int a=10,*b,**c;
b=&a;
c=&b;
printf("%d\t%d\n",b,*c);
printf("%d\t%d\n",c,**c);
printf("%d\t%d",*b+5,&c+2);
```

b) What do you mean by Generic pointer, Null pointer and File pointer?

[4]

8. a) Explain the FORTRAN structure. What are data types in FORTRAN?

[2+2]

b) Write a program to print the Fibonacci series until the term is less than 500.

[6]

\*\*\*



Exam.	Back		
Level	BE	Full Marks	80
Programme	All (Except B. Arch)	Pass Marks	32
Year / Part	I / I	Time	3 hrs.

**Subject: - Computer Programming (CT401)**

- ✓ Candidates are required to give their answers in their own words as far as practicable.
- ✓ Attempt All questions.
- ✓ The figures in the margin indicate Full Marks.
- ✓ Assume suitable data if necessary.

1. a) What is computer program? Discuss in brief about different generation of programming languages. [1+4]
- b) Why is algorithm and flow chart development important in problem solving? Write an algorithm and draw flow chart to test a number entered by user whether it is even or not. [2+3]
2. a) What is the identifier? What are the ways to give value to variable? Explain with example? [1+2+1]
- b) Explain about input and output function available in C with syntax and example of each part. [2+2+2]
3. a) Write algorithm, draw flow chart and program to input a number check it is Armstrong or not. [2+2+2]
- b) What do you mean by selective and repetitive statement? Why do we need break and continue statement? [2+2]
4. a) What do you mean by "call by value and call by reference"? Explain it with suitable example. [4]
- b) Can we pass whole array element from the function? Write the program to pass an array to function and sort them. [6]
5. a) Write a program that finds the largest word in a given sentence. [4]
- b) Differentiate between the methods of passing argument to function with example. What are their advantages and disadvantages? [6]
6. What is structure? Why is it necessary? Write a program to add two distances given in feet and inch format using structure. [1+1+6]
7. a) What is null pointer? What will be the output of following program, explain. [1+3]
 

```

#include<stdio.h>
int main() {
    if( ! NULL )
        printf("C programming is easy");
    else
        printf("C programming is not easy");
    return 0 ;
}
            
```
- b) Write a program to calculate the length of string without using string handling function. [4]
8. A file name employee.txt stores employee name, employee id and employee salary. Write a program to display the detail of all employees in the order of their salary. [8]
9. Write a program in FORTRAN to read 10 integers from user and sort them in ascending order and display it in screen. [6]

Exam.	Regular		
Level	BE	Full Marks	80
Programme	All (Except B. Arch)	Pass Marks	32
Year / Part	I / I	Time	3 hrs.

**Subject: - Computer Programming (CT401)**

- ✓ Candidates are required to give their answers in their own words as far as practicable.
- ✓ Attempt All questions.
- ✓ The figures in the margin indicate Full Marks.
- ✓ Assume suitable data if necessary.

1. a) What is a programming language? What is the difference between source code and object code. [2+2]  
 b) What is debugging and testing? What are the step that need to be followed for developing the application-software. [2+2]
2. a) What is the difference between variable declaration and variable definition? Explain with example. [4]  
 b) What do you mean by macro expansion and file inclusion in C? Explain with example. [4]
3. What are functions used for formatted and unformatted output? Write down its syntax. Write down the output of printf() function for the following sections of statements. [4+4]  
 float a = 5.7891;  
 int b = 6789;  
 printf("a=%4f and b=%-7d from first line", a,b);  
 printf("a=%-7.2f and b=%07d from second line", a,b);  
 printf("a=%0.2f and b=%2d from third line", a,b);
4. a) Explain about while loop with its syntax and flowchat. [4]  
 b) Write a program to convert a decimal number into binary number. [6]
5. a) Can a function return an array to the calling function? Explain with example. [4]  
 b) Write a program to read a mxn matrix of integers and to find the largest elements of each row. Store the largest elements of the row in a one-dimensional array of m integers before displaying them. [6]
6. a) How does a structure differ from an array? What are the different ways to access structure member? [4]  
 b) Create a structure named student that has name, roll and marks as members. Assume appropriate types and size of members. Use this structure to read and display records of 10 students. Crete two functions: One is to read information of students and other to display the information. [6]
7. a) Define following term: [5]  
 i) int\*p;  
 ii) int p(char\*a)  
 iii) int(\*p(char\*a))  
 iv) int \*p(void)  
 v) int>(\*p[10])char a  
 b) Write the advantages of using pointer in C- programming. [3]
8. Write a program to copy to copy content of one file source.txt to another destination.txt. [8]
9. a) Explain the FORTRAN structure. What are different types on FORTAN? [2+3]  
 b) Write a FORTRAN program to read N number to find second largest number among them. [5]

Exam.	Back		
Level	BE	Full Marks	80
Programme	All (Except B. Arch.)	Pass Marks	32
Year / Part	I / I	Time	3 hrs.

**Subject: - Computer Programming (CT401)**

- ✓ Candidates are required to give their answers in their own words as far as practicable.
- ✓ Attempt All questions.
- ✓ The figures in the margin indicate Full Marks.
- ✓ Assume suitable data if necessary.

1. What are computer programs and computer programming? Explain the steps that are required to build a computer program for solving a certain problem. [2+6]
2. Explain with an example the role that precedence and associativity play in the execution of an expression. Rewrite the following program by correcting any errors, if present and also write down the output of the corrected code. [4+4]

```

Define MAX '5'
int main ( )
{
    int case[MAX]={2,3,5,4,10},i,sum=0;
    for(i=0,i<MAX,i+=1)
    {
        printf("Case %d = %3.2d\n",i,case[i]);
        sum +=* case+i;
    }
    average = sum/MAX;
    printf("%06.2f",average);
    return 1;
}
    
```

3. a) Compare if-else-if ladder and switch construct with example and flowchart. [5]
- b) Write a program in C to generate following pattern using unformatted input/output functions only. [5]

```

      N
     e e e
    P P P P P
   a a a a a a a
  L L L L L L L L L
    
```

4. Write a program in C to find out whether the  $n^{\text{th}}$  term of the Fibonacci series is a prime number or not. Read the value of  $n$  from the user and display the result in the main function. Use separate user-defined functions to generate the  $n^{\text{th}}$  Fibonacci term and to check whether a number is prime or not. [8]

5. a) How two dimensional arrays are created in C programming? Write a program to read square matrix of size  $N \times N$  and find sum of both diagonals. [2+4]  
 b) Write a program in C to check whether a given string is palindrome or not using user defined function. [4]
6. What are the advantages of using pointer in C programming? Write a program in C to find second largest elements from an array containing  $N$  elements using concept of pointer. [2+4]
7. Explain structures and nested structures? Create a structure to hold any complex number  $x+iy$ . Write a program that uses the structure to read two complex numbers and display a third complex number which is the multiplication of the entered complex numbers. [3+5]
8. a) What are different input/output functions used with data files in C? Explain with syntax and examples. [4]  
 b) Write a program in C to read integers from user until user says "no". After reading the data write all the odd numbers to a file name odd.txt and all the even number to file named even.txt. [4]
9. When can we use recursive functions? Why do we need control statements in computer programs? Differentiate between do...while and for statements. [2+2+2]
10. What are the characteristics of FORTRAN Programming? Write a program in FORTRAN to calculate the value of  $\pi$  by evaluating the following formula for the first 25 terms. [8]

$$\pi = 4 \left( 1 - \frac{1}{3} + \frac{1}{5} - \frac{1}{7} + \frac{1}{9} - \dots \right)$$

\*\*\*

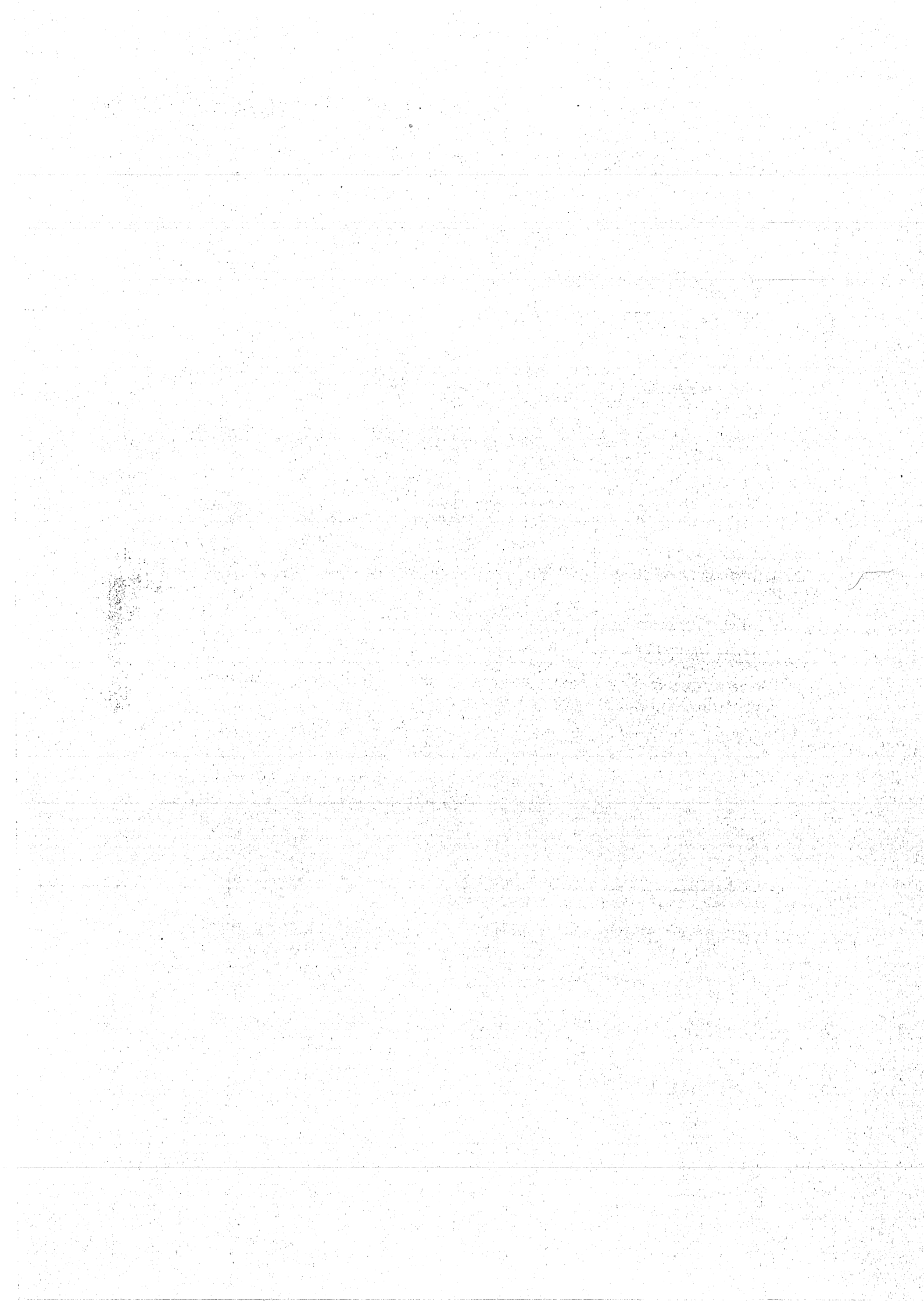
Exam.	Regular		
Level	BE	Full Marks	80
Programme	All (Except B.Arch.)	Pass Marks	32
Year / Part	I / I	Time	3 hrs.

**Subject: - Computer Programming (CT401)**

- ✓ Candidates are required to give their answers in their own words as far as practicable.
- ✓ Attempt **All** questions.
- ✓ The figures in the margin indicate **Full Marks**.
- ✓ Assume suitable data if necessary.

1. Explain the generations of programming language. Distinguish between High level and Low level programming language. [3+3]
2. What is an algorithm and how it differs from pseudo-code? Develop algorithm and draw flowchart to find the largest of N numbers. [2+3+3]
3. a) What are identifiers? List the rules to define valid C identifiers. [2+3]  
 b) What is operator? Describe the conditional operator in C with syntax and example. [2+3]
4. What are the differences between global and local function, variables and data types, & (Ampersand) operator and \* operators used in c-programming language? Explain with example. [4+4]
5. a) Differentiate between pass by value and pass by reference. [3]  
 b) Explain the significance of user defined functions with example. [5]
6. a) Write a program to read a string and check whether it consists of Alphabet or not. Use user defined function to accomplish the task. [5]  
 b) Explain how 2D array is passed to a function. Write a C program to display largest and smallest elements of a 2D array. [5]
7. What is nested structure? Write a program in C to read name, age and salary of 10 different employees as the three members of a structure named as "employee". Sort this data in salary basis using user defined function and display sorted data from main function. [2+8]
8. Write a program in C-programming language to compute the cosine series. (hints:  $\cos(x) = 1 - x^2/2! + x^4/4! - x^6/6! + \dots$  up to n terms) [6]
9. Write a program to open file named INVENTORY and store in it for maximum 10000 data of ITEM\_NAME, NUMBER, PRICE, QUANTITY. Extend the program to read this data from the above given filename and display the inventory table with the value of each item. [6]
10. a) Compare unconditional goto and computed goto in FORTRAN with syntax. [3]  
 b) Write a program in FORTRAN to read an array containing N elements, sort this data in ascending order and display the result. [5]

\*\*\*



Exam.	New Back (2066 & Later Batch)		
Level	BE	Full Marks	80
Programme	ALL (Except B. Arch)	Pass Marks	32
Year / Part	I / I	Time	3 hrs.

**Subject: - Computer Programming (CT401)**

- ✓ Candidates are required to give their answers in their own words as far as practicable.
- ✓ Attempt All questions.
- ✓ The figures in the margin indicate Full Marks.
- ✓ Assume suitable data if necessary.

1. a) What do you mean by Programming Language? Explain about the evolution of programming languages. [1+3]
- b) What are the advantages of a Flowchart design? Write down the guidelines to be followed to draw a flowchart. [2+2]
2. a) What is the purpose of the semicolon that appears at the end of most assignment statement in C? Explain the program compilation, linking and loading process with example. [2+4]
- b) Discuss the types of errors in programming. How do you debug a C-program? [2+4]
3. a) Explain relational and logical operators. [4]
- b) Write a C program to display following pattern without using formatted input/output statements. [4]
 

```

      Programming
      rogrammin
      ogrammi
      gramm
      ram
      a
      
```
4. a) Why do we need control statements? Compare switch and if-else-if ladder with example. [4]
- b) Write a C program to display all characters between a given ranges. [6]
5. a) What are the advantages of using functions? Differentiate between Library functions and User-defined functions with suitable example. [5]
- b) Write a program to check whether a given number is Armstrong number or not using recursive function. [5]
6. a) Write a C program to read two strings in main and compare them using userdefined function. Display appropriate message from main. [4]
- b) What are overflow and underflow errors in context of array? Write a program to add corresponding elements of two arrays. The results should form a new array. [2+4]
7. a) Why should we prefer structure over array? Explain nested structure with example. [2+4]
- b) Write a program to read name and roll number of 48 students from user and store them in file. If the file already contains data, your program should add new data at the end of the file. [6]
8. a) What is the structure of FORTRAN program? [5]
- b) Write a FORTRAN program to read n numbers and display largest number among them. [5]

01/10

05 TRIBHUVAN UNIVERSITY  
 INSTITUTE OF ENGINEERING  
**Examination Control Division**  
 2072 Chaitra

Exam.	Regular		
	Level	BE	Full Marks
Programme	ALL (Except B. Arch)	Pass Marks	32
Year / Part	I / I	Time	3 hrs.

**Subject: - Computer Programming (CT401)**

- ✓ Candidates are required to give their answers in their own words as far as practicable.
- ✓ Attempt All questions.
- ✓ The figures in the margin indicate Full Marks.
- ✓ Assume suitable data if necessary.

1. a) What is a flow chart? Use the various commonly used flow chart symbols. How does a flow chart help computer programming? [2+2+2]
- b) What is a program? Briefly describe types of computer software. [2+2]
2. a) What is an operator, datatype, constant and variable? Define. [6]
- b) Define and write syntax of the following: [4]
  - i) gets()
  - ii) putchar()
  - iii) scanf()
  - iv) strlen()
3. a) How is the switch statement used in decision making? Explain with a suitable example. [4]
- b) Write a program to check whether a given integer is a triangular number or not. [6]
 

*(Any number is a triangular number if the sum of natural number from 1 to any number i is exactly equal to that number. For e.g 1,3,6,10,15 etc are triangular number as, 1+2=3, 1+2+3=6, 1+2+3+4=10, 1+2+3+4+5=15)*
4. a) Briefly explain the passing by value and passing by reference in function with example. [6]
- b) Write a program to calculate sum of digits of a given 5-digits number entered by the user using recursive function. [4]
5. What is a string? Write a program to read a 3\*3 square matrix, find minimum integer value of a matrix, replace the diagonal elements by the minimum element and display it using pointer. [2+8]
6. a) What is the principal difference between a structure and an array? [2]
- b) Write a program to read structure "college" having name, estDate and location where estDate is an another structure having day, month and year as members. Display the records of 10 colleges. [8]
7. a) What is a data file in C? What are the modes in file handling? Explain briefly. [1+3]
- b) Write a program to read the information of a file named "data.txt" and write its contents to another file "record.txt". [6]
8. a) Compare DO and implied DO statement in FORTRAN. [3]
- b) Write a FORTRAN program to add and subtract two matrices and display the results in matrix form. [7]

\*\*\*



Exam.	New Back (2066 & Later Batches)		
Level	BE	Full Marks	80
Programme	All (Except B.Arch)	Pass Marks	32
Year / Part	I / I	Time	3 hrs.

**Subject: - Computer Programming (CT401)**

- ✓ Candidates are required to give their answers in their own words as far as practicable.
- ✓ Attempt All questions.
- ✓ The figures in the margin indicate Full Marks.
- ✓ Assume suitable data if necessary.

1. a) Explain different generation of programming languages. [4]  
b) Why do we need analysis and design before coding a program? [4]
2. a) What do you mean by precedence and associativity of an operator? Explain with suitable example. [3]  
b) What are the differences between formatted and unformatted Input / Output. Give suitable example with sample output for the following: %10i, %3c, %-10.3f and %x. [1+4]
3. a) What are the purpose of the continue statement? Within which control statements can continue statement be included? Compare with the break statement. [1+2+2]  
b) Write a program to find the sum of series  $S_n = \sum 1/n^2$  up to N term. [5]
4. What is the meaning of function prototyping? Write a program to calculate the sum of the series 1+11+111+.....+up to N terms using recursive function. If N is read as 5, the series is: 1+11+111+1111+11111. [2+6]
5. a) Explain with an example for compile time initialization of 2D array. Describe how compiler manages according to the number of initializers and size of an array given by a user in case of 1D array. [2+3]  
b) Write a program to read a word from a main function, pass it into a function that will convert all of its characters into upper case if the first character is in lower case and into lower case if the first character is in upper case. Display the converted string from main function. [5]
6. a) Explain need of structures. How can we create and use a structure within another. [2+3]  
b) Explain dot and arrow operators for accessing the members of a structure. [3]
7. a) If Ptr is a pointer to user defined type or basic type, by how many bytes is Ptr incremented when the statement Ptr++ is executed? [2]  
b) Write a C program that calls reverse array () to reverse the array and return the array and display the element of reversed array using pointer. [6]
8. List different types of standard I/O used in C. Write a program to write name, roll no and age of five students into a disk file name "STUDENT.DAT". [2+6]
9. a) Explain different types of goto statements in FORTRAN programming with suitable example. Write a program to read n from user and display the sum of following series till n<sup>th</sup> terms: 1+(1+2)+(1+2+3)+(1+2+3+4)+.....n [4+4]  
b) Explain with suitable example to show how an Impiled Do loop works in FORTRAN. [4]

Exam.	Regular		
Level	BE	Full Marks	80
Programme	All (Except B. Arch)	Pass Marks	32
Year / Part	I / I	Time	3 hrs.

**Subject: - Computer Programming (CT401)**

- ✓ Candidates are required to give their answers in their own words as far as practicable.
- ✓ Attempt All questions.
- ✓ The figures in the margin indicate Full Marks.
- ✓ Assume suitable data if necessary.

1. a) What is mean by compilation? What is mean by interpretation? How do these two processes differ? [4]
- b) Define programming language? What are the features of good computer program? [1+3]
2. a) What are preprocessor directives? Explain constants and variables. [2+2]
- b) Write syntax and example of following statements/functions: [1×4]
  - i) printf
  - ii) getch
  - iii) scanf
  - iv) long
3. What are control statements? Illustrate nested IF statement with its flowchart. Write a program to calculate the series:  $1 \times 10 + 3 \times 20 + 6 \times 30 + \dots + \frac{N(N+1)}{2} \times 10N$ , where N is an integer term read from the keyboard. [2+2+6]
4. a) Write a program to display Armstrong numbers between the range entered by a user and also display their counts. You must use a function to check for Armstrong numbers and display them from main. [4]
- b) What do you mean by nested function and recursive function? Give an example of recursive function. [2+2]
5. a) Write a C program to read a string and display its reverse. Use user defined function to count number of characters in it and to reverse it. [4]
- b) Write an algorithm to insert a value in an array at a position given by user. [4]
6. a) What is a tag? Must a tag be included in a structure type definition? Must a tag be included in a structure variable declaration? Explain. [1+1+2]
- b) Write a C program that reads several different names and address using structure computer, rearrange the names into alphabetical order and write out alphabetical list. [4]
7. Illustrate with example that "Array is indirectly a pointer". Write program to calculate sum and average of integer numbers between M and N (where value of M and N are read from keyboard) using pointer. [4+4]
8. Write a program to continuously read name, age and salary of a worker and write it into a file until user confirms to end. Then read n from user and display the n<sup>th</sup> record in the file. Details of worker must be represented by a structure. [7]
9. a) Compare arithmetic and logical if statements in FORTRAN. [7]
- b) Write a FORTRAN program to display nature of roots of a quadratic equation. Calculate and display the roots, if they are real and equal. [8]

Exam.	New Back (2066 & Later Batch)		
Level	BE	Full Marks	80
Programme	All (Except B.Arch)	Pass Marks	32
Year / Part	I / I	Time	3 hrs.

**Subject: - Computer Programming (CT401)**

- ✓ Candidates are required to give their answers in their own words as far as practicable.
- ✓ Attempt All questions.
- ✓ The figures in the margin indicate Full Marks.
- ✓ Assume suitable data if necessary.

1. a) Categorise programming languages on the basis of their uses and applications. Among them which programming language is C programming? [4]
- b) List and define different steps to solve the problem in computer system. [4]
2. a) Differentiate between declaration and definition. Explain structure of C program with an appropriate example. [4]
- b) Write syntax, example and use of following: [1×4]
  - i) printf( )
  - ii) scanf( )
  - iii) getch( )
  - iv) getch( )
3. Write the difference between do and do..... while loop and write the program "to find whether a year is leap or not". [3+7]
4. What is recursive function? How does it work? Find out sum of digit of number until the number becomes one digit number. [891>18>9]. [2+2+4]
5. a) Write a program to read a string and rewrite its characters in alphabetical order. [4]
- b) A multinational company has hired 3 sales persons for marketing/selling its 3 different products in Kathmandu. Each sales person sells each of these products. Write a program to read number of each product sold by all sales-persons. Calculate total sells of each item and the total sells of each sales-person. Use arrays. [6]
6. a) Explain about "Arrays within structures" along with programming example. [4]
- b) Write the program "to understand how structure members are sent to a function". [4]
7. Write down advantages of pointer. Write a program using pointer to swap the value of two variables where the swapping operation is performed in separate function. [2+6]
8. Write a C program to store employee details in a text file. Read data from the text file, sort them in ascending order of salary and store the sorted record to a binary file. Display the details and rank of employee given by the user. [8]
9. a) What do you mean by formatted and unformatted input/output statements in Fortran and also give suitable example which explain the concept of Formatted I/O. [8]
- b) Write the program to convert a binary number to a decimal number using Fortran programming language. [4]

2070 Ashad

Level	BE	Full Marks	80
Programme	All ( Except B. Arch )	Pass Marks	32
Year / Part	1 / 1	Time	3 hrs.

**Subject: - Computer Programming (CT401)**

- ✓ Candidates are required to give their answers in their own words as far as practicable.
- ✓ Attempt All questions.
- ✓ The figures in the margin indicate Full Marks.
- ✓ Assume suitable data if necessary.

1. a) Define software. Explain its types. [3]  
 b) What are the steps required to develop a computer program? Explain. [5]
2. a) What are relational operators and assignment operators? Explain with examples. [3]  
 b) Rewrite the following program by correcting any syntactical errors, if present. Also show the output of the corrected code. [3+2]

```
#include <stdio.h>
int main ()
{
    float root, int i = 1;
    do { sum = 2i - 1;
        print ("\t%d\n", sum);
        i *= 5/3;
    } while (sum <= 15)
    root = pow (i, 1/2);
    print ("\n%.3f", root);
    return void;
}
```

3. a) Write a program to read the number until - 1 is encountered. Also count the number of even number and odd numbers entered by the user. [6]  
 b) Distinguish between break and continue statement with example. [4]
4. a) Explain how function is defined in C? Differentiate call by value and call by reference. [1+2]  
 b) Write a program using a function that returns the largest number from an array of numbers that is passed to the function. [5]
5. a) How are one dimensional and two dimensional arrays created in C? Explain with examples. [2+2]  
 b) Write a C program to read two matrices from user, add them and display the result in matrix form. [6]
6. What do you mean by nested structures? Give suitable example. Write a program to read the heights of two students and display the difference between their heights. Use feet and inches as members of a structure to define height. [2+6]
7. a) Compare array and pointer with example. [3]  
 b) Write a program to read a string from user and use a user defined function to copy the content of the read string into another character array changing lower case letter to upper if any. Use pointer to process the string. [5]
8. Write a program to read the details of book authors and write it to a file, until the user confirms to end. Then read and display the n<sup>th</sup> record in the file, where n is read from the user. The data for authors must be represented by structures that contain name, nationality and number of books published. [8]
9. a) Explain the FORTRAN structure. What are data types in FORTRAN. [2+2]  
 b) Write a program in FORTRAN to solve quadratic equation and display roots in proper format. [8]

TRIBHUVAN UNIVERSITY  
 INSTITUTE OF ENGINEERING  
**Examination Control Division**  
 2080 Baishakh

Exam. Level	Back		
	BE	Full Marks	80
Programme	All (Except BAR)	Pass Marks	32
Year / Part	1/1	Time	3 hrs.

**Subject: - Engineering Mathematics I (SH 401)**

- ✓ Candidates are required to give their answers in their own words as far as practicable.
- ✓ Attempt All questions.
- ✓ The figures in the margin indicate Full Marks.
- ✓ Assume suitable data if necessary.

1. If  $y = \log(x + \sqrt{a^2 + x^2})$ , then show that [5]

i)  $(a^2 + x^2) y_2 + xy_1 = 0$

ii)  $(a^2 + x^2) y_{n+2} + (2n+1) xy_{n+1} + n^2 y_n = 0$ .

2. Assuming the validity of expansion prove that the series by using Maclaurin's series: [5]

$$\frac{x}{e^x - 1} = 1 - \frac{x}{2} + \frac{x^2}{12} - \frac{x^4}{720} + \dots$$

3. Evaluate:  $\lim_{x \rightarrow 0} \left( \frac{\sin x}{x} \right)^{\frac{1}{x^2}}$  [5]

4. Define an asymptotes to a curve. Find all the asymptotes of the cubic  $x^3 - 2y^3 + xy(2x-y) + y(x-y) + 1 = 0$ . [5]

5. Find the pedal equation of the curve:  $\frac{x^2}{a^2} + \frac{y^2}{b^2} = 1$ . [5]

6. Show that  $\int_0^a \frac{\sqrt{\cot x}}{1 + \sqrt{\cot x}} dx = \frac{\pi}{4}$ . [5]

7. Evaluate:  $\int_0^\pi \frac{\log(1 + a \cos x)}{\cos x} dx$ , using the rule of differentiation under the sign of integration. [5]

8. Define Beta and Gamma function. Using Beta and Gamma function evaluate:

$$\int_0^\pi \cos^2 \theta \sin^4 \theta d\theta. \quad [1+4]$$

9. Find the volume of the solid formed by revolution of cardioid  $r = a(1 - \cos \theta)$  about the initial line. [5]

10. Solve  $\frac{dy}{dx} = 2y \tan x + y^2 \tan^2 x$ . [5]

11. Solve the differential equation:  $y = yp^2 + 2px$  [5]

12. Solve the differential equation:  $\frac{d^2y}{dx^2} - 2\frac{dy}{dx} + y = xe^x \sin x$ . [5]

13. Solve the differential equation:  $x^2 \frac{d^2y}{dx^2} + 4x \frac{dy}{dx} + 2y = e^x$ . [5]

OR

The current in a circuit containing resistance R and inductance L in a series with voltage source E. Find the current in the circuit as the function of time. [5]

14. Derive the standard equation of ellipse. [5]

15. Find the angle through which the axes may be turned so that the equation  $x+2y+5=0$  may be reduced to  $x=c$  and also determine the value of  $c$ . [5]

16. Show that the conic  $3x^2 + 10xy + 3y^2 - 26x - 22y + 43 = 0$  is a hyperbola. Also find the eccentricity. [1+4]

OR

Describe and sketch the conic

$$r = \frac{4\sec\theta}{2\sec\theta - 1}$$

\*\*\*

[5]

TRIBHUVAN UNIVERSITY  
INSTITUTE OF ENGINEERING  
**Examination Control Division**  
2079 Bhadra

Exam.	Regular		
Level	BE	Full Marks	80
Programme	All except BAR	Pass Marks	32
Year / Part	I / I	Time	3 hrs.

**Subject: - Engineering Mathematics I (SH 401)**

- ✓ Candidates are required to give their answers in their own words as far as practicable.
- ✓ Attempt All questions.
- ✓ All questions carry equal marks.
- ✓ Assume suitable data if necessary.

1. State Leibnitz's theorem. If  $y = a \cos(\log x) + b \sin(\log x)$ , then show that  $x^2 y_{n+2} + (2n+1)xy_{n+1} + (n^2+1)y_n = 0$ .

2. Apply Maclaurin's series to find the expansion of  $e^x \sec x$  as far as the term in  $x^3$ .

3. State L'Hopital's rule. Using it evaluate  $\lim_{x \rightarrow 0} \left( \frac{\sin x}{x} \right)^{\frac{1}{x^2}}$

4. Find the asymptotes of the curve

$$(x+y)^2(x+2y+2) = x+9y-2$$

5. Show that for the ellipse  $\frac{x^2}{a^2} + \frac{y^2}{b^2} = 1$ , the radius of curvature at the extremity of the major axis is equal to half of the Latus rectum.

6. Integrate:  $\int_0^{\frac{\pi}{2}} \frac{\cos x dx}{(1+\sin x)(2+\sin x)}$

7. Apply the rule of differentiation under integral sign to evaluate:  $\int_0^{\infty} \frac{e^{-ax} \sin x}{x} dx$  and

hence deduce that  $\int_0^{\infty} \frac{\sin x}{x} dx = \frac{\pi}{2}$

8. Define Beta and Gamma functions. Evaluate:  $\int_0^a x^4 \sqrt{a^2 - x^2} dx$

9. Show that the area of the astroid  $x^{2/3} - y^{2/3} = a^{2/3}$  is  $\frac{3\pi a^2}{8}$

OR

Find the volume of the solid of revolution of the cardioid  $r = a(1+\cos\theta)$  about the initial line.

10. Solve:  $x \frac{dy}{dx} + 2y = x^2 \log x$

11. Solve:  $y = yp^2 + 2px$  where  $p = \frac{dy}{dx}$

12. Solve:  $\frac{d^2y}{dx^2} + 3 \frac{dy}{dx} + 2y = e^{2x} \sin x$

13. Solve:  $x \frac{d^2y}{dx^2} - 2 \frac{dy}{dx} + 2 \frac{y}{x} = \frac{1}{x^2}$

14. Derive the standard equation of an ellipse.

15. Through what angle should the axes be rotated to reduce the equation

$$3x^2 + 2xy + 3y^2 - \sqrt{2}x = 0$$

in to one with the  $xy$  term missing?

16. Find the center, length of the axes and eccentricity of the conic

$$9x^2 + 4xy + 6y^2 - 22x - 16y + 9 = 0$$

OR

Describe and sketch the graph of the equation  $r = \frac{10}{3+2 \cos \theta}$

\*\*\*

Exam.	Back	
Level	BE	Full Marks 80
Programme	All (Except BAR)	Pass Marks 32
Year / Part	I / I	Time 3 hrs.

**Subject:** - Engineering Mathematics I (SH 401)

- ✓ Candidates are required to give their answers in their own words as far as practicable.
- ✓ Attempt All questions.
- ✓ The figures in the margin indicate Full Marks.
- ✓ Assume suitable data if necessary.

1. State Leibnitz's theorem. If  $y = \log(x + \sqrt{a^2 + x^2})$  then using the theorem show that  $(a^2 + x^2)y_2 + xy_1 = 0$  and hence show that  $(a^2 + x^2)y_{n+2} + (2n + 1)xy_{n+1} + n^2y_n = 0$ . [1+4]
2. Assuming the validity of expansion, find the expansion of:  $\log(\sec x)$  by using Maclaurin's theorem. [5]
3. What do you mean by indeterminate form? State various forms of indeterminacy. Evaluate  $\lim_{x \rightarrow 0} \left( \frac{\sin x}{x} \right)^{\frac{1}{x^2}}$ . [5]
4. Define asymptotes and its types. Find the asymptotes of the curve  $x^3 + 4x^2y + 5xy^2 + 2y^3 + 2x^2 + 4xy + 2y^2 - x - 9y + 1 = 0$ . [1+4]
5. Find the pedal equation of the curve of  $r^m = a^m \cos m\theta$ . [5]
6. Show that  $\int_0^{\pi/2} \frac{x}{\sin x + \cos x} dx = \frac{\pi}{2\sqrt{2}} \log(\sqrt{2} + 1)$ . [5]
7. Evaluate, by using the rule of differentiation under the sign of integration:  $\int_0^{\pi} \frac{\log(1 + a \cos x)}{\cos x} dx$ . [5]
8. Define Beta and Gamma function and use these to evaluate  $\int_0^1 \frac{dx}{(1-x^6)^{1/6}}$ . [5]
9. Find the area included between an arc of cycloid  $x = a(\theta - \sin \theta)$ ,  $y = a(1 - \cos \theta)$  and its base.  
OR  
Find the volume of the solid formed by revolution of the cardioid  $r = a(1 + \cos \theta)$  about the initial base. [5]
10. Solve the differential equation  $\frac{dy}{dx} + \frac{x}{1-x^2} y = x\sqrt{y}$ . [5]
11. State Clairaut's equation, find the general and singular solution of  $y = px + p - p^2$ . [5]
12. Find the particular integral and hence solve the differential equation  $y'' - 2y' + 5y = e^{2x} \sin x$ . [5]
13. Solve the differential equation  $x^2 \frac{d^2y}{dx^2} - x \frac{dy}{dx} + 2y = x \log x$ . [5]
14. Through what angle should the axes be rotated to reduce the equation  $3x^2 + 2xy + 3y^2 - \sqrt{2}x = 0$  into one with the  $xy$  term missing? Also obtain the transformed equation. [2+3]
15. Deduce the standard equation of the hyperbola. [5]
16. Describe and sketch the graph of the equation  $r = \frac{10}{2 - 3 \sin \theta}$

OR

Find the centre, length of axes and eccentricity of the conic  $3x^2 + 8xy - 3y^2 - 40x - 20y + 50 = 0$ . [5]



TRIBHUVAN UNIVERSITY  
INSTITUTE OF ENGINEERING  
**Examination Control Division**  
2078 Kartik

Exam.	Back		
	Level	BE	Full Marks
Programme	All except BAR	Pass Marks	32
Year / Part	I / I	Time	3 hrs.

**Subject:** - Engineering Mathematics I (SH 401)

- ✓ Candidates are required to give their answers in their own words as far as practicable.
- ✓ Attempt All questions.
- ✓ All question carry Equal Marks.
- ✓ Assume suitable data if necessary.

1. State Leibnitz's theorem. If  $y^{1/m} + y^{-1/m} = 2x$ , prove that  $(x^2 - 1)y_2 + xy_1 - m^2 y = 0$ , and hence show that  $(x^2 - 1)y_{n+2} + (2n+1)xy_{n+1} + (n^2 - m^2)y_n = 0$ .

2. Apply Maclaurin's series to find the expansion of  $\frac{e^x}{1+e^x}$  as far as the term in  $x^3$  and hence find the expansion of  $\log(1+e^x)$ .

3. State L-Hospital's rule. Evaluate  $\lim_{x \rightarrow 0} \left( \frac{\sin x}{x} \right)^{1/x^2}$

4. Find the asymptotes of the curve of  $x^2(x-y)^2 - a^2(x^2 + y^2) = 0$ .

5. Define the radius of curvature, obtain the radius of curvature for the curve at the origin  $x^3 + y^3 = 3axy$ .

6. Prove that:  $\int_0^{\pi} \frac{x \tan x}{\sec x + \tan x} dx = \frac{\pi}{2}(\pi - 2)$

7. Apply the method of differentiation under integral sign to prove.

$$\int_0^{\pi} \frac{dx}{(a + b \cos x)^2} = \frac{\pi a}{(a^2 - b^2)^{3/2}}$$

8. State Beta and Gamma function. Use them to evaluate:  $\int_0^1 x^6 \sqrt{1-x^2} dx$

9. Define the term quadrature. Find the area bounded by the curve  $r = a(1 - \cos \theta)$ .

OR

Find the volume of the solid formed by the revolution of cycloid  $x = a(\theta + \sin \theta)$ ,  
 $y = a(1 + \cos \theta)$  about x-axis.

10. Solve the differential equations:  $(x + y + 1)dx + (y - x)dy = 0$

11. Find the general solution of the differential equation:  $e^y - p^3 - p = 0$  where  $p = \frac{dy}{dx}$ .

12. Solve the different equation:  $(D^2 + 2D + 1)y = e^x + x^2$

13. Solve:  $(x^2D^2 + xD - 1)y = x^2$

OR

A radioactive material has an initial mass 100mg. After 2 years, it is left to 80mg. Find the amount of material at any time  $t$ .

14. Through what angle the axes be rotated to remove the term containing  $xy$  in  $11x^2 + 4xy + 14y^2 - 5 = 0$ .

15. Define hyperbola as a locus of a point and deduce the equation of hyperbola in standard form.

16. Find the center, length of axes, and eccentricity of the following conic:

$$3x^2 + 8xy - 3y^2 - 20y - 40x + 50 = 0$$

\*\*\*

Exam.	Regular		
Level	BE	Full Marks	80
Programme	All except BAR	Pass Marks	32
Year / Part	I / I	Time	3 hrs.

**Subject: - Engineering Mathematics I (SH 401)**

- ✓ Candidates are required to give their answers in their own words as far as practicable.
- ✓ Attempt All questions.
- ✓ The figures in the margin indicate Full Marks.
- ✓ Assume suitable data if necessary.

1. If  $y=(x^2-1)^n$ , then prove that:  $(x^2-1)y_{n+2} + 2xy_{n+1} - n(n+1)y_n = 0$  [5]
2. Assuming the validity of expansion, expand  $\log(1+x)$  by using Maclaurin's theorem. [5]
3. Give an example of indeterminate form. Evaluate:  $\lim_{x \rightarrow 0} (\cot x)^{\log x}$  [5]
4. Find the asymptote of the curve:  $(x^2 - y^2)^2 - 2(x^2 + y^2) + x - 1 = 0$  [5]
5. Find the radius of curvature for the curve  $r^m = a^m \cos m\theta$ . [5]

OR

Find the pedal equation of the following curves  $y^2 = 4a(x+a)$ . [5]

6. Evaluate:  $\int_0^1 \frac{\log(1+x)}{(1+x^2)} dx$ . [5]

7. Evaluate by using the rule of differentiation under the sign of integration:

$$\int_0^{\infty} \frac{\log(1+a^2x^2)}{1+b^2x^2} dx \quad [5]$$

8. Define Gamma function. Use it to prove:  $\int_0^{\pi/8} \cos^3 4x dx = \frac{1}{6}$  [5]

9. Find the area of a loop of the curve:  $a^2y^2 = a^2x^2 - x^4$  [5]

OR

Prove that the volume and surface area of a sphere of radius 'a' is  $\frac{4}{3}\pi a^3$  and  $4\pi a^2$  respectively.. [5]

10. Solve:  $\frac{dy}{dx} + \frac{y}{x} \log y = \frac{y}{x^2} (\log y)^2$  [5]

11. Find the general solution of the differential equation  $y = (1+p)x + ap^2$ . [5]

12. Solve:  $(D^2+3D+2)y = e^{2x} \sin x$  [5]

13. Solve:  $(x^2D^2 - 2)y = x^2 + \frac{1}{x}$

OR

A certain culture of bacteria grows at rate proportional to its size. If the size doubles in 4 days, find the time required for the culture to increase to 10 times to its original size. [5]

14. Through what angle must the axes be rotated to remove the term containing xy in  $11x^2 + 4xy + 14y^2 = 5$ . [5]

15. Prove that:  $2x^2 + 3y^2 - 4x - 12y + 13 = 0$  represents equation of ellipse. Find its center, length of axes, eccentricity, and direct ices of ellipse. [5]

16. Show that the line  $x \cos \alpha + y \sin \alpha = p$  will be a tangent to the hyperbola  $\frac{x^2}{a^2} - \frac{y^2}{b^2} = 1$  if

$$a^2 \cos^2 \alpha - b^2 \sin^2 \alpha = p^2. \quad [5]$$

Exam.	Regular		
Level	BE	Full Marks	80
Programme	All except BAR	Pass Marks	32
Year / Part	I/I	Time	3 hrs.

*Subject: - Engineering mathematics I (SH 401)*

- ✓ Candidates are required to give their answers in their own words as far as practicable.
- ✓ Attempt All questions.
- ✓ All questions carry equal marks.
- ✓ Assume suitable data if necessary.

1. If  $y = a \cos(\log x) + b \sin(\log x)$  prove that:

(i)  $x^2 y_2 + x y_1 + y = 0$

(ii)  $x^2 y_{n+2} + (2n+1) x y_{n+1} + (n^2+1) y_n = 0$

2. State and prove Lagrange's mean value theorem.

3. State L' Hospital's Rule and hence evaluate  $\lim_{x \rightarrow 0} (\cot x)^{\sin 2x}$

4. Find the asymptote of  $(x+y)^2(x+2y+2) = x+9y-2$

5. Find the radius of curvature of the curve  $r = a(1 - \cos\theta)$ .

Or,

Find the pedal equation of  $y^2 = 4a(x+a)$

6. Evaluate  $\int_0^{\pi/2} \frac{x \sin x \cos x}{\cos^4 x + \sin^4 x} dx$

7. Using the rule of differentiation under the integral sign, evaluate  $\int_0^{\infty} \frac{\log(1+a^2 x^2)}{1+b^2 x^2} dx$

8. Obtain the reduction formula for  $\int_0^{\pi/2} \cos^n x dx$  and hence evaluate  $\int_0^{\pi/2} \cos^{10} x dx$ .

9. Obtain the area of a loop of the curve  $y^2(a^2+x^2) = x^2(a^2-x^2)$

Or,

Find the volume of the solid formed by the revolution of the cycloid  $x = a(\theta + \sin\theta)$

10. Solve the differential equation:  $\frac{dy}{dx} = \frac{y}{x} + \tan \frac{y}{x}$

11. Find the general solution of  $y = Px + x^4 p^2$

12. Solve  $(D^2 - 2D + 5)y = e^{2x} \sin x$

13. Solve  $x^2 \frac{d^2 y}{dx^2} - 2x \frac{dy}{dx} - 4y = x^4$

Or,

A radio active material has an initial mass 100mg. After two years, it is left to 75mg. Find the amount of the material at any time t.

14. What does the equation  $3x^2 + 3y^2 + 2xy = 2$  become when the axes are turned through an angle  $45^\circ$  with the original axes.

15. Obtain the equation of hyperbola in standard form.

16. Find the center for the conic  $3x^2 + 8xy - 3y^2 - 40x - 20y + 50 = 0$ .

Exam.	Back		
Level	BE	Full Marks	80
Programme	All (Except BAR)	Pass Marks	32
Year / Part	I / I	Time	3 hrs.

**Subject: - Engineering Mathematics I (SH 401)**

- ✓ Candidates are required to give their answers in their own words as far as practicable.
- ✓ Attempt All questions.
- ✓ The figures in the margin indicate Full Marks.
- ✓ Assume suitable data if necessary.

1. If  $y = \sin(m \sin^{-1} x)$ , show that  $(1-x^2)y_{n+2} - (2n+1)xy_{n+1} + (m^2 - n^2)y_n = 0$ , where suffices of  $y$  denote the respective order of derivatives of  $y$ . [5]
2. State Lagrange's mean value theorem. Verify it for the function  $y = \sin x$  on  $\left[-\frac{\pi}{2}, \frac{\pi}{2}\right]$ . Is this theorem valid for the function  $y = \tan x$  on  $[0, \pi]$ ? [1+3+1]
3. Evaluate  $\lim_{x \rightarrow 0} \left(\frac{\tan x}{x}\right)^{1/x}$  [5]
4. Find the asymptotes of the curve  $(x+y)^2(x+2y+2) = x+9y-2$ . [5]
5. Find the pedal equation of the curve  $y^2 = 4a(x+a)$ . [5]
6. Evaluate, if possible  $\int_0^e \ln x dx$ . [5]
7. Apply differentiation under integral sign to evaluate  $\int_0^{\infty} \frac{e^{-ax} \sin x}{x} dx$  and then show that  $\int_0^{\infty} \frac{\sin x}{x} dx = \frac{\pi}{2}$ . [4+1]
8. Define Beta and Gamma function and use it to show that,  $\int_0^{\pi/6} \cos^4 3\theta \sin^2 6\theta d\theta = \frac{5\pi}{192}$ . [5]
9. Find the volume of the solid formed by the revolution of the cardioid  $r = a(1 + \cos \theta)$  about the initial line. [5]
10. Solve the differential equation  $\frac{dy}{dx} + y \cot x = 2 \cos x$ . [5]
11. If  $p$  stands for  $\frac{dy}{dx}$ , then solve the differential equation  $y - 2px + ayp^2 = 0$ . [5]
12. Solve the differential equation  $(D^2 - 2D + 5)y = e^{2x} \sin x$ . [5]
13. Solve the differential equation  $(x^2 D^2 + xD + 1)y = \sin(\log x^2)$  [5]
14. Define ellipse and obtain the equation of ellipse in standard form. [5]
15. Prove that the locus of a point which moves in such a way that the difference of its distances from the point  $(5, 0)$  and  $(-5, 0)$  is 2 is a hyperbola. [5]
16. Describe and sketch the graph of the conic  $r = \frac{10}{3+2\sin \theta}$  [5]

Exam.	Regular / Back		
	Level	BE	Full Marks
Programme	All (Except BAE)	Pass Marks	32
Year / Part	I / I	Time	3 hrs.

**Subject: - Engineering Mathematics I (SH 401)**

- ✓ Candidates are required to give their answers in their own words as far as practicable.
- ✓ Attempt All questions.
- ✓ All questions carry equal marks.
- ✓ Assume suitable data if necessary.

1. If  $y = e^{a \sin^{-1} x}$ , then prove that  $(1-x^2)y_{n+2} - (2n+1)xy_{n+1} - (n^2+a^2)y_n = 0$
2. Assuming the validity of expansion, find the expansion of  $\log(1+e^x)$  by using Machlaurin's Theorem.

3. Evaluate:  $\lim_{x \rightarrow 0} \left( \frac{\sin x}{x} \right)^{1/x}$

4. Find the asymptotes of the curve:

$$y^2 = \frac{(a-x)^2}{a^2+x^2} x^2$$

5. Show that for the ellipse  $\frac{x^2}{a^2} + \frac{y^2}{b^2} = 1$ , the radius of curvature at the extremity of major axis is equal to half of the latus rectum.

6. Show that  $\int_0^1 \cot^{-1}(1-x+x^2) dx = \frac{\pi}{2} - \log 2$ .

7. Evaluate by using the rule of differentiation under the sign of integration

$$\int_0^{\pi} \frac{\log(1+a \cos x)}{\cos x} dx$$

8. Prove that:  $\int_0^{\infty} \sqrt{y} e^{-y^2} dy \times \int_0^{\infty} \frac{e^{-y^2}}{\sqrt{y}} dy = \frac{\pi}{2\sqrt{2}}$

9. Find the surface area of solid generated by revolution of cycloid.  
 $x = a(\theta + \sin \theta), y = a(1 + \cos \theta)$  about its axis.

10. Solve the differential equation:

$$\frac{dy}{dx} + \frac{1}{x} \sin 2y = x^3 \cos^2 y$$

11. If  $p$  denotes  $\frac{dy}{dx}$ , then solve  $p^3 - 4xyp + 8y^2 = 0$ .

12. Solve:  $\frac{d^2 y}{dx^2} - 2 \frac{dy}{dx} + y = x^2 e^{3x}$

13. Solve:  $x^2 \frac{d^2 y}{dx^2} - x \frac{dy}{dx} + y = \log x$

14. Derive the standard equation of an ellipse.

15. Find the condition that the line  $x \cos \alpha + y \sin \alpha = p$  to touch hyperbola  $\frac{x^2}{a^2} - \frac{y^2}{b^2} = 1$  and also find point of contact.

16. Find the centre, length of axes and eccentricity of conic  $9x^2 + 4xy + 6y^2 - 22x - 16y + 9 = 0$ .

OR

Describe and sketch the graph of polar equation:  $r = \frac{4}{1+3 \cos \theta}$

\*\*\*

Exam.	Back		
Level	BE	Full Marks	80
Programme	ALL (Except B. Arch)	Pass Marks	32
Year / Part	I / I	Time	3 hrs.

**Subject:** - Engineering Mathematics I (SH401)

- ✓ Candidates are required to give their answers in their own words as far as practicable.
- ✓ Attempt **All** questions.
- ✓ The figures in the margin indicate **Full Marks**.
- ✓ Assume suitable data if necessary.

1. State Leibnitz's theorem. If  $y^{\frac{1}{m}} + y^{\frac{-1}{m}} = 2x$ , show that  $(x^2 - 1)y_2 + xy_1 - m^2y = 0$  and hence prove that  $(x^2 - 1)y_{n+2} + (2n+1)xy_{n+1} + (n^2 - m^2)y_n = 0$ . [2+3]
2. State Roller's theorem. Does the theorem hold when the function is not continuous at the end points? Justify your answer. Verify the theorem for  $f(x) = x^2 - 4x + 3$  on  $[1, 3]$ . [5]
3. State L-Hospital's theorem and evaluate  $\lim_{x \rightarrow 0} \left( \frac{\sin x}{x} \right)^{\frac{1}{x^2}}$  [5]
4. Find the asymptotes of curve  $4x^3 - 3xy^2 - y^3 + 2x^2 - xy - y^2 - 1 = 0$ . [5]
5. Find the pedal equation of the curve  $y^2 = 4c(x + c)$  [5]
6. Show that  $\int_0^{\frac{\pi}{2}} \frac{\sin^2 x}{\sin x + \cos x} dx = \frac{1}{\sqrt{2}} \log(\sqrt{2} + 1)$  [5]
7. Evaluate, by using differentiation under the sign of integration [5]  

$$\int_0^{\infty} \frac{\log(1 + a^2 x^2)}{1 + b^2 x^2} dx$$
8. Define Beta-Gamma function and use it to evaluate  $\int_0^{\frac{\pi}{6}} \cos^4 3\theta \cdot \sin^2 6\theta \cdot d\theta$  [5]
9. Find the surface area of the solid generated by the revolution of the cardioids  $r = a(1 + \cos\theta)$  about the initial line. [5]
10. Transform the equation  $12x^2 - 10xy + 2y^2 + 11x - 5y + 2 = 0$  by translating the axes into an equation with linear term missing. [5]
11. Derive the standard equation of hyperbola. [5]
12. Find the centre, Length of axes and eccentricity of the conic [5]  
 $9x^2 + 4xy + 6y^2 - 22x - 16y + 9 = 0$

OR

Describe and sketch the graph of the equation  $r = \frac{12 \sec \theta}{2 + 3 \sec \theta}$

13. Solve  $\frac{dy}{dx} + \frac{\sin 2y}{x} = x^3 \cos^2 y$  [5]
14. Solve the differential equation of  $xp^2 - 2yp + ax = 0$  [5]
15. Solve  $(D^2 - 1)y = \sinh(x)$  [5]
16.  $(x^2 D^2 + xD + 1)y = \sin(\log x^2)$  [5]

Exam.	Regular		
Level	BE	Full Marks	80
Programme	ALL (Except B. Arch)	Pass Marks	32
Year / Part	I / I	Time	3 hrs.

**Subject: - Engineering Mathematics I (SH401)**

- ✓ Candidates are required to give their answers in their own words as far as practicable.
- ✓ Attempt All questions.
- ✓ The figures in the margin indicate Full Marks.
- ✓ Assume suitable data if necessary.

1. State Leibnitz theorem. If  $\log y = \tan^{-1} x$ , then show that

$$(1+x^2)y_{n+2} + (2nx+2x-1)y_{n+1} + (n^2+n)y_n = 0 \quad [1+4]$$

2. State Rolle's theorem. Is the theorem true when the function is not continuous at the end points? Justify your answer. Verify Rolle's theorem for  $f(x) = x^2 5x + 6$  on  $[2,3]$ . [1+2+2]

3. State L-Hospital's rule. Evaluate  $\lim_{x \rightarrow 1} (2-x)^{\tan\left(\frac{\pi x}{2}\right)}$  [1+4]

4. Find the asymptotes of the curve  $(x+y)^2(x+2y+2) = x+9y-2$  [5]

5. Find the pedal equation of the ellipse  $\frac{x^2}{b^2} + \frac{y^2}{a^2} = 1$ . [5]

6. Evaluate the integral  $\int_{-1}^1 \frac{1}{x^2} dx$  [5]

7. Apply the rule of differentiation under integral sign to evaluate  $\int_0^{\infty} \frac{e^{-ax} \sin x}{x} dx$  and hence deduce that  $\int_0^{\infty} \frac{\sin x}{x} dx = \frac{\pi}{2}$  [5]

8. Define Beta function. Apply Beta and Gamma function to evaluate  $\int_0^{2a} x^5 \sqrt{2ax-x^2} dx$  [5]

9. Find the area common to the circle  $r = a$  and the cardioid  $r = a(1+\cos\theta)$  [5]

10. Through what angle should the axes be rotated to reduce the equation  $3x^2 + 2xy + 3y^2 - \sqrt{2}x = 0$  into one with the  $xy$  term missing? Also obtain the transformed equation. [2+3]

11. Derive the equation of an ellipse in standard form. [5]

12. Find the product of semi-axis of the conic  $x^2 - 4xy + 5y^2 = 2$  [5]

**OR**

Describe and sketch the graph of conic  $r = \frac{12}{3+2\cos\theta}$

13. Solve the differential equation of  $(x^2 - y^2)dx + 2xydy = 0$  [5]

14. Solve:  $y = yp^2 + 2px$  where  $p = \frac{dy}{dx}$  [5]

15. Solve  $(D^2 - 6D + 9)y = x^2 e^{2x}$  [5]

16. Solve the differential equation of  $x^2 \frac{d^2 y}{dx^2} - 2x \frac{dy}{dx} + 2y = 4x^3$  [5]



01 TRIBHUVAN UNIVERSITY  
INSTITUTE OF ENGINEERING  
**Examination Control Division**  
2073 Chaitra

Exam.	Regular		
Level	BE	Full Marks	80
Programme	All (Except B.Arçh.)	Pass Marks	32
Year / Part	I/1	Time	3 hrs.

**Subject:** - Engineering Mathematics I (SH401)

- ✓ Candidates are required to give their answers in their own words as far as practicable.
- ✓ Attempt All questions.
- ✓ All questions carry equal marks.
- ✓ Assume suitable data if necessary.

1. State Leibnitz theorem. If  $y = e^{x^2}$ , then show that  $y_{n+1} - 2xy_n - 2ny_{n-1} = 0$ .
2. Expand  $e^x \log_e(1+x)$  in ascending powers of  $x$  upto the term containing  $x^4$  in Maclaurin's series.
3. State L-hospital's rule. Evaluate,

$$\lim_{x \rightarrow 0} \left( \frac{1}{x^2} \right)^{\tan x}$$

4. State the types of asymptotes to a curve. Find the asymptotes of the curve  $(x^2 - y^2)(x + 2y + 1) + x + y + 1 = 0$ .
5. Find the chord of curvature through the pole for the curve  $r = a(1 + \cos\theta)$ .
6. Show that  $\int_0^{\infty} \frac{\log(1+x^2)}{1+x^2} dx = \pi \log 2$
7. Apply the method of differentiation under integral sign to prove

$$\int_0^{\pi/2} \frac{dx}{(a^2 \sin^2 x + b^2 \cos^2 x)^2} = \frac{\pi(a^2 + b^2)}{4a^3 b^3}$$

8. Using Beta -Gamma Function, show that

$$\int_0^{\pi/4} \sin^4 x \cdot \cos^2 x dx = \frac{3\pi - 4}{192}$$

9. Find the area included between an arc of cycloid  $x = a(\theta - \sin\theta)$ ,  $y = a(1 - \cos\theta)$  and its base.

OR

Find the volume of the solid formed by the revolution of the cardioid  $r = a(1 + \cos\theta)$  about the initial base.

10. What does the equation  $x^2 + 2\sqrt{3}xy - y^2 = 2a^2$  become when the axes are turned through an angle  $30^\circ$  to the original axes?
11. Derive the equation of an ellipse in the standard form.

12. Find the eccentricity of the conic,

$$x^2 + 4xy + y^2 - 2x + 2y - 6 = 0$$

*OR*

Describe and sketch the conic

$$r = \frac{10 \operatorname{cosec} \theta}{2 \operatorname{cosec} \theta + 3}$$

13. Solve:  $\frac{dy}{dx} = \frac{x+2y-3}{2x+y-3}$

14. Solve:  $\frac{dy}{dx} + y \tan x = \sec x$

15. Solve:  $y = 2px + p^3 y^2$ ; where  $p = \frac{dy}{dx}$

16. Solve:  $x^2 \frac{d^2 y}{dx^2} - 2x \frac{dy}{dx} + 2y = \frac{1}{x}$

\*\*\*

Exam.	Back		
Level	BE	Full Marks	80
Programme	All (Except B.Arch.)	Pass Marks	32
Year / Part	I / I	Time	3 hrs.

**Subject: - Engineering Mathematics I (SH401)**

- ✓ Candidates are required to give their answers in their own words as far as practicable.
- ✓ Attempt All questions.
- ✓ All questions carry equal marks.
- ✓ Assume suitable data if necessary.

1. State Leibnitz's theorem on higher order derivative. If  $y = e^{a \tan^{-1} x}$ , prove that  $(1+x^2)y_{n+2} + (2nx+2x-a)y_{n+1} + n(n+1)y_n = 0$
2. State difference between Roll's Theorem and Lagrange's Mean value theorem. Verify Lagrange's mean value theorem for  $f(x) = x(x-1)(x-2)$  when  $x \in \left[0, \frac{1}{2}\right]$ .
3. Define indeterminate form of a function. Evaluate

$$\lim_{x \rightarrow 0} \left( \frac{\tan x}{x} \right)^{1/x^2}$$

4. Define asymptote to a curve. Find the asymptotes of curve  $y^3 + 2xy^2 + x^2y - y + 1 = 0$ .
5. Find radius of curvature of the curve  $x^3 + y^3 = 3axy$  at origin.

**OR**

Find the pedal equation of the polar curve  $r^m = a^m \cos m\theta$ .

6. Integrate:  $\int_0^{\pi/2} \frac{\cos x \, dx}{(1 + \sin x)(2 + \sin x)}$
7. Apply differentiation under integral sign to evaluate  $\int_0^{\infty} \frac{e^{-ax} \sin x}{x} dx$ .
8. Define Beta and Gamma function. Use them to evaluate  $\int_0^{2a} x^5 \sqrt{2ax - x^2} dx$ .
9. Show that the area of the curve  $x^{2/3} + y^{2/3} = a^{2/3}$  is  $\frac{3}{8} \pi a^2$ .

**OR**

Find the volume of the solid formed by the revolution of the cardioid  $r = a(1 + \cos\theta)$  about the initial line.

10. Solve:  $(1+y^2)dx = (\tan^{-1} y - x)dy$
11. Solve:  $y = px - \sqrt{m^2 + p^2}$  where  $p = \frac{dy}{dx}$ .

12. Solve:  $(D^2 + 2D + 1)y = e^x + x^2$ .

13. Solve:  $x^2 \frac{d^2y}{dx^2} - 2x \frac{dy}{dx} - 4y = x^4$ .

**OR**

A resistance of 100 ohms, an inductance of 0.5 Henry are connected in series with a battery of 20 volts. Find the current in the circuit as a function of time.

14. What does the equation of lines  $7x^2 + 4xy + 4y^2 = 0$  become when the axes are the bisectors of the angles between them?

15. Derive the equation of hyperbola in standard form.

16. Find the foci and eccentricity of the conic  $x^2 + 4xy + y^2 - 2x + 2y - 6 = 0$ .

**OR**

Describe and sketch the graph of the conic  $r = \frac{12}{6 + 2\sin\theta}$ .

\*\*\*

Exam.	New Back (2066 & Later Batch)		
Level	BE	Full Marks	80
Programme	ALL (Except B.Arch)	Pass Marks	32
Year / Part	I / I	Time	3 hrs.

**Subject:** - Engineering Mathematics I (SH401)

- ✓ Candidates are required to give their answers in their own words as far as practicable.
- ✓ Attempt All questions.
- ✓ All questions carry equal marks.
- ✓ Assume suitable data if necessary.

1. State Leibnitz's theorem. If  $y = (\sin^{-1} x)^2$ , show that  
 $(1-x^2)y_{n+2} - (2n+1)xy_{n+1} - n^2y_n = 0$
2. Verify Rolle's Theorem for  $f(x) = \log \frac{x^2 + ab}{(a+b)x}$ ;  $x \in [a, b]$ . How does Rolle's Theorem differ from Lagrange's mean value theorem.

3. Evaluate  $\lim_{x \rightarrow 0^+} \left( \frac{\sin x}{x} \right)^{\frac{1}{x}}$

4. Find the asymptotes to the curve  $y^3 + 2xy^2 + x^2y - y + 1 = 0$

5. Find the radius of curvature at origin for the curve  $x^3 + y^3 = 3axy$ .

6. Show that  $\int_0^{\pi} x \log(\sin x) dx = \frac{\pi^2}{2} \log \frac{1}{2}$

7. Apply the rule of differentiation under integral sign to evaluate  $\int_0^{\infty} \frac{e^{-ax} \sin x}{x} dx$  and hence

deduce that  $\int_0^{\infty} \frac{\sin x}{x} dx = \frac{\pi}{2}$

8. Define Beta function. Apply Beta and Gamma function to evaluate  $\int_0^{2a} x^5 \sqrt{2ax - x^2} dx$

9. Find the volume generated by revolution of astroid  $x^{2/3} + y^{2/3} = a^{2/3}$  about x-axis.

10. What does the equation  $3x^2 + 3y^2 + 2xy = 2$  becomes when the axes are turned through an angle of  $45^\circ$  to the original axes?

11. Find center, length of axes, eccentricity and directrices of the conic

$$3x^2 + 8xy - 3y^2 - 40x - 20y + 50 = 0$$

OR

Describe and sketch the conic  $r = \frac{12}{2 - 6\cos\theta}$

12. Deduce standard equation of ellipse.

13. Solve the differential equation:  $(1+y^2) + (x - e^{\tan^{-1}y}) \frac{dy}{dx} = 0$

14. Solve:  $xp^2 - 2yp + ax = 0$  where  $p = \frac{dy}{dx}$

15. Solve:  $\frac{d^2y}{dx^2} + 3\frac{dy}{dx} + 2y = e^{2x} \cdot \sin x$

16. Resistance of 100 ohms, an inductance of 0.5 Henry are connected in series with battery 20 volts. Find the current in the circuit as a function of time.

Exam.	Regular		
Level	BE	Full Marks	80
Programme	ALL (Except B. Arch)	Pass Marks	32
Year / Part	I / I	Time	3 hrs.

**Subject: - Engineering Mathematics I (SH401)**

- ✓ Candidates are required to give their answers in their own words as far as practicable.
- ✓ Attempt **All** questions.
- ✓ **All** questions carry equal marks.
- ✓ Assume suitable data if necessary.

1. State Leibnitz's theorem. If  $y = (x^2 - 1)^n$ , then prove that

$$(x^2 - 1)y_{n+2} + 2xy_{n+1} - n(n-1)y_n = 0$$

2. Assuming the validity of expansion, expand  $\log(1 + \sin x)$  by Maclaurin's theorem.

3. Evaluate  $\lim_{x \rightarrow 0} \frac{(1+x)^{1/x} - e}{x}$

4. Find the asymptotes of the curve:  $x(x-y)^2 - 3(x^2 - y^2) + 8y = 0$

5. Find the radius of curvature at any point  $(r, \theta)$  for the curve  $a^2 = r^2 \cos 2\theta$

6. Show that:  $\int_0^{\pi} \frac{x \sin x}{1 + \cos^2 x} dx = \frac{\pi^2}{4}$

7. Apply differentiation under integral sign to evaluate  $\int_0^{\pi/2} \log \frac{a + b \sin x}{a - b \sin x} dx$

8. Define Gamma function. Apply Beta and Gamma function to evaluate:

$$\int_0^{\pi/6} \cos^2 6\theta \sin^4 3\theta = \frac{7\pi}{192}$$

9. Find the area inclosed by  $y^2(a-x) = x^3$  and its asymptotes.

10. If the axes be turned through an angle of  $\tan^{-1} 2$ , what does the equation  $4xy - 3x^2 - a^2 = 0$  become?

11. Find the center, length of axes, eccentricity and directrices of the conic.

$$2x^2 + 3y^2 - 4x - 12y + 13 = 0$$

OR

Describe and sketch the graph of the conic  $r = \frac{10}{3 + 2 \cos \theta}$

12. Deduce standard equation of hyperbola.

13. Solve the differential equation:  $x \log x \frac{dy}{dx} + y = 2 \log x$

14. Solve:  $(x-a)p^2 + (x-y)p - y = 0$ : where  $p = \frac{dy}{dx}$

15. Solve:  $(D^2 - D - 2)y = e^x + \sin 2x$

16. Find a current  $i(t)$  in the RLC circuit assuming zero initial current and charge  $q$ , if  $R = 80$  ohms,  $L = 20$  Henry,  $C = 0.01$  Faradays and  $E = 100$  volts.

Exam.	New Back (2066 & Later Batch)		
Level	BE	Full Marks	80
Programme	All (Except B.Arch)	Pass Marks	32
Year / Part	I / I	Time	3 hrs.

**Subject:** - Engineering Mathematics I (SH401)

- ✓ Candidates are required to give their answers in their own words as far as practicable.
- ✓ Attempt All questions.
- ✓ All questions carry equal marks.
- ✓ Assume suitable data if necessary.

1. If  $y = (\sin^{-1} x)^2$  then show that:

i)  $(1-x^2)y_2 - xy_1 - 2 = 0$

ii)  $(1-x^2)y_{n+2} - (2n+1)xy_{n+1} - n^2 y_n = 0$

2. State Rolle's Theorem and verify the theorem for  $f(x) = \frac{x(x+3)}{e^{x/2}}$ ;  $x \in [-3, 0]$

3. Evaluate:  $\lim_{x \rightarrow 0} \left( \frac{\tan x}{x} \right)^{1/x}$

4. Find the asymptotes of the curve:  $(a+x)^2(b^2+x^2) = x^2 y^2$

5. Find the pedal equation of the curve  $r^2 = a^2 \cos 2\theta$

6. Evaluate  $\int_0^{\pi/4} \frac{(\sin x + \cos x)}{(9 + 16 \sin 2x)} dx$

7. Use Beta Gamma function to evaluate  $\int_0^{2a} x^5 \sqrt{2ax - x^2} dx$

8. Evaluate by using the rule of differentiation under the sign of integration.

$$\int_0^{\infty} \frac{e^{-x} \sin bx}{x} dx$$

9. Find the area of one loop of the curve  $r = a \sin 3\theta$

OR

Find the volume of the solid formed by the revolution of the cardioid  $r = a(1 + \cos\theta)$  about the initial line.

Find center and eccentricity of conic  $x^2 + 4xy + y^2 - 2x + 2y - 6 = 0$

OR

Describe and sketch the graph of the equation  $r = \frac{10}{3 + 2 \cos\theta}$

10. Find the condition that the line  $lx + my + n = 0$  may be a normal to the ellipse

$$\frac{x^2}{a^2} + \frac{y^2}{b^2} = 1$$

11. Show that the pair of tangents drawn from the center of a hyperbola are its asymptotes.

12. Solve the differential equation:  $\frac{dy}{dx} = \frac{y}{x} + \tan \frac{y}{x}$

13. Solve:  $y - 2px + ap^2 = 0$  where  $p = \frac{dy}{dx}$

14. Solve the differential equation:  $x \frac{dy}{dx} + y \log y = xy e^x$

15. Solve the differential equation:  $x^2 \frac{d^2y}{dx^2} + x \frac{dy}{dx} - 4y = x^2$

\*\*\*



01 TRIBHUVAN UNIVERSITY  
 INSTITUTE OF ENGINEERING  
**Examination Control Division**  
 2071 Chaitra

Exam.	Regular		
Level	BE	Full Marks	80
Programme	All (Except B.Arch)	Pass Marks	32
Year / Part	I / I	Time	3 hrs.

**Subject: - Engineering Mathematics I (SH401)**

- ✓ Candidates are required to give their answers in their own words as far as practicable.
- ✓ Attempt All questions.
- ✓ All questions carry equal marks.
- ✓ Assume suitable data if necessary.

1. State Leibniz's theorem on Leibniz derivatives:

If  $y = \sin(m \sin^{-1} x)$  then show that

$$(1-x^2)y_{n+2} - (2n+1)xy_{n+1} + (m^2-n^2)y_n = 0$$

2. Assuming the validity of expansion, find the expansion of the function  $\frac{e^x}{1+e^x}$  by Maclaurin's theorem.

3. Evaluate  $\lim_{x \rightarrow 0} \frac{xe^x - (1+x)\log(1+x)}{x^2}$

4. Find the asymptotes of the curve  $y^3 + 2xy^2 + x^2y - y + 1 = 0$

5. Find the radius of curvature of the curve  $y = x^2(x-3)$  at the points where the tangent is parallel to x-axis

OR

Find the pedal equation of the curve  $r^2 = a^2 \cos 2\theta$

6. Show that  $\int_0^a \frac{dx}{x + \sqrt{a^2 - x^2}} = \frac{\pi}{4}$

7. Apply differentiation under integral sign to evaluate  $\int_0^{\pi/2} \frac{dx}{(a^2 \sin^2 x + b^2 \cos^2 x)^2}$

8. Use gamma function to prove that  $\int_0^1 \frac{dx}{(1-x^6)^{1/6}} = \pi/3$

9. Find the volume or surface area of solid generated by revolving the cycloid  $x = a(\theta + \sin\theta)$ ,  $y = a(1 + \cos\theta)$  about its base.

10. If the line  $lx+my+n=0$  is normal to the ellipse  $\frac{x^2}{a^2} + \frac{y^2}{b^2} = 1$  then show that

$$\frac{a^2}{l^2} + \frac{b^2}{m^2} = \frac{(a^2 - b^2)^2}{n^2}$$

11. Solve the locus of a point which moves in such a way that the difference of its distance from two fixed points is constant is Hyperbola.

12. Solve the differential equation  $x \frac{d^2y}{dx^2} + 2 \frac{dy}{dx} = 6x$

13. Solve  $(x^2D^2 + xD + 1)y = \sin(\log x^2)$

14. Solve  $y = yp^2 + 2px$  where  $p = \frac{dy}{dx}$

15. Solve:  $\frac{d^2y}{dx^2} + 3 \frac{dy}{dx} + 2y = e^{2x} \sin x$

16. Describe and sketch the graph of the equation  $r = \frac{10}{2 - 3\sin \theta}$

OR

Show that the conic section represented by the equation

$14x^2 - 4xy + 11y^2 - 44x - 58y + 71 = 0$  is an ellipse. Also find its center, eccentricity, latus rectum and foci

\*\*\*

Exam.	Regular		
Level	BE	Full Marks	80
Programme	All (Except B.Arch)	Pass Marks	32
Year / Part	I / I	Time	3 hrs.

**Subject:** - Engineering Mathematics I (SH401)

- ✓ Candidates are required to give their answers in their own words as far as practicable.
- ✓ Attempt All questions.
- ✓ All questions carry equal marks.
- ✓ Assume suitable data if necessary.

1. If  $Y = \sin(m \sin^{-1}x)$ , then show that  $(1-x^2)y_{n+2} - (2n+1)xy_{n+1} + (m^2 - n^2)y_n = 0$
2. Apply Maclaurin's series to find the expansion of  $\frac{e^x}{1+e^x}$  as far as the term in  $x^3$
3. Evaluate:  $\lim_{x \rightarrow a} \left(2 - \frac{x}{a}\right)^{\tan \frac{\pi x}{2a}}$
4. Find the asymptotes of the curve  $x(x-y)^2 - 3(x^2 - y^2) + 8y = 0$
5. Find the pedal equation of the curve  $x^{\frac{2}{3}} + y^{\frac{2}{3}} = a^{\frac{2}{3}}$
6. Apply the method of differentiation under integral sign to evaluate  $\int_0^{\infty} \frac{\log(1+a^2x^2)}{1+b^2x^2} dx$
7. Show that  $\int_0^{\infty} \frac{\log(1+x^2)}{1+x^2} dx = \pi \log 2$
8. Use Gamma function to prove that  $\int_0^1 \frac{dx}{(1-x^6)^{\frac{1}{6}}} = \frac{\pi}{3}$
9. Find the area of two loops of the curve  $a^2y^2 = a^2x^2 - x^4$

OR

Find the volume of the solid formed by the revolution of the cycloid  $x = a(\theta + \sin\theta)$ ,  $y = a(1 - \cos\theta)$  about the tangent at the vertex.

10. Solve the differential equation  $(1+y^2) + (x - e^{\tan^{-1}y}) \frac{dy}{dx} = 0$
11. Solve:  $y - 3px + ap^2 = 0$
12. Solve:  $(D^2 - 2D + 5)y = e^{2x} \cdot \sin x$
13. A resistance of 100 Ohms, an inductance of 0.5 Henry are connected in series with a battery 20 volts. Find the current in the circuit as a function of time.
14. What does the equation  $3x^2 + 3y^2 + 2xy = 2$  becomes when the axes are turned through an angle  $45^\circ$  to the original axes.
15. Show that the locus of a point which moves in such a way that the differences of its distance from two fixed points is constant is a hyperbola.
16. Find the center, length of the axes and eccentricity of the conic  $2x^2 + 3y^2 - 4x - 12y + 13 = 0$

OR

Describe and sketch the graph of the polar equation of conic  $r = \frac{10 \operatorname{cosec} \theta}{2 \operatorname{cosec} \theta + 3}$

\*\*\*

Exam.	New Back (2066 & Later Batch)		
Level	BE	Full Marks	80
Programme	All (Except B.Arch)	Pass Marks	32
Year / Part	I / I	Time	3 hrs.

**Subject: - Engineering Mathematics I (SH401)**

- ✓ Candidates are required to give their answers in their own words as far as practicable.
- ✓ Attempt All questions.
- ✓ The figures in the margin indicate Full Marks.
- ✓ Assume suitable data if necessary.

1. If  $y = \log(x + \sqrt{a^2 + x^2})$ , then show that  $(a^2 + x^2)y_{n+2} + (2n+1)xy_{n+1} + n^2y_n = 0$  [5]
2. State and prove Lagrange's Mean Value theorem. [5]
3. Evaluate:  $\lim_{x \rightarrow \frac{\pi}{2}} \prod (\sin x)^{\tan x}$  [5]
4. Find the asymptote of the curve  $a^2y^2 + x^2y^2 - a^2x^2 + 2ax^3 - x^4 = 0$  [5]
5. Find the radius of curvature at the origin for the curve  $x^3 + y^3 = 3axy$
6. Evaluate  $\int_0^a \frac{\sqrt{x}}{\sqrt{x} + \sqrt{a-x}} dx$  [5]
7. Apply differentiation under integral sign to evaluate  $\int_0^\infty \frac{e^{-ax} - e^{-bx}}{x} dx$  [5]
8. Using Gamma function show that  $\int_0^{\frac{\pi}{4}} \sin^4 x \cos^2 x dx = \frac{3\pi - 4}{192}$  [5]
9. Find the area bounded by the curve  $x^2 = 4y$  and the line  $x = 4y - 2$

OR

Find the volume of the solid generated by the revolution of the cardioid  $r = a(1 - \cos\theta)$  about the initial line.

10. Solve:  $\sin x \frac{dy}{dx} + y \cos x = x \sin x$  [5]
11. Solve:  $xp^2 - 2yp + ax = 0$  where  $p = \frac{dy}{dx}$  [5]
12. Solve:  $\frac{d^2y}{dx^2} - 2\frac{dy}{dx} + y = x^2e^{3x}$  [5]
13. Solve:  $x^2 \frac{d^2y}{dx^2} - x \frac{dy}{dx} + y = \log x$  [5]
14. Transform the equation  $x^2 - 2xy + y^2 + x - 3y = 0$  to axes through the point  $(-1, 0)$  parallel to the lines bisecting the angles between the original axes. [5]
15. Find the center, length of axes and the eccentricity of the ellipse  $2x^2 + 3y^2 - 4x - 12y + 13 = 0$  [5]
16. Find the length of axes and eccentricity of the conic [5]

$$14x^2 - 4xy + 11y^2 - 44x - 58y + 71 = 0$$

OR

Describe and sketch the conic  $r = \frac{12}{2 - 6\cos\theta}$

\*\*\*

Exam.	New Back (2066 & Later Batch)		
Level	BE	Full Marks	80
Programme	All (Except B.Arch)	Pass Marks	32
Year / Part	1 / 1	Time	3 hrs.

*Subject: - Mathematics I (SH401)*

- ✓ Candidates are required to give their answers in their own words as far as practicable.
- ✓ Attempt All questions.
- ✓ All questions carry equal marks.
- ✓ Assume suitable data if necessary.

1. State Leibnitz's Theorem on higher derivatives. If  $y = \sin(m \sin^{-1}x)$  then show that  $(1-x^2)y_{n+2} - (2n+1)xy_{n+1} + (m^2-n^2)y_n = 0$

2. State Rolle's Theorem and verify it for the function  $f(x) = \frac{x(x+3)}{e^{\frac{x}{2}}}$ ,  $x \in [-3,0]$

3. Evaluate:  $\lim_{x \rightarrow 0} \left( \frac{\tan x}{x} \right)^{\frac{1}{x^2}}$

4. Find the asymptotes of the curve  $(x^2 - y^2)^2 - 2(x^2 + y^2) + x - 1 = 0$

5. Show that the radius of curvature at any point  $(r, \theta)$  of the curve  $r^m = a^m \cos m\theta$  is  $\frac{a^m}{(m+1)r^{m+1}}$

6. Show that  $\int_0^1 \frac{\log(1+x)}{1+x^2} dx = \frac{\pi}{8} \log 2$

7. Evaluate by using the rule of differentiation under the sign of integration

$$\int_0^{\infty} \frac{e^{-x} \sin bx}{x} dx$$

8. Use Gamma function to prove  $\int_0^{\frac{\pi}{6}} \cos^4 3\theta \cdot \sin^2 6\theta = \frac{5\pi}{192}$

9. Find the area bounded by the curve  $x^2y = a^2(a-y)$  and X-axis

OR

Show that the volume of the solid formed by revolving the ellipse  $\frac{x^2}{a^2} + \frac{y^2}{b^2} = 1$  about the line  $x = 2a$  is  $4\pi^2 a^2 b$  cubic units.

10. Solve the differential equation  $(1+y^2) dy = (\tan^{-1} y - x) dx$

11. Solve the differential equation  $y = yp^2 + 2px$  where  $p = \frac{dy}{dx}$

12. Solve the differential equation  $(D^2 - 2D + 5)y = e^{2x} \cdot \sin x$

13. Solve the differential equation  $x^2 \frac{d^2y}{dx^2} - x \frac{dy}{dx} + 2y = x \log x$

OR

Newton's law of cooling states that the temperature of an object changes at the rate proportional to the difference of temperature between the object and its surroundings. Supposing water at  $100^\circ\text{C}$  cools to  $80^\circ\text{C}$  in 10 minutes in a room temperature of  $30^\circ\text{C}$  find the time when the temperature of water will become  $40^\circ\text{C}$ ?

14. If the axes be turned through an angle  $\tan\theta = 2$  what does the equation  $4xy - 3x^2 - a^2 = 0$  becomes.

15. Find the condition that the straight line  $x \cos \alpha + y \sin \alpha = p$  touches the ellipse  $\frac{x^2}{a^2} + \frac{y^2}{b^2} = 1$

16. Find the centre, length of axes and eccentricity of the conic  $9x^2 + 4xy + 6y^2 - 22x - 16y + 9 = 0$

OR

Describe and sketch the graph of the equation  $r = \frac{12}{3 + 2\cos\theta}$

\*\*\*

TRIBHUVAN UNIVERSITY  
INSTITUTE OF ENGINEERING  
**Examination Control Division**  
2080 Baishakh

Exam.	Back		
Level	BE	Full Marks	80
Programme	BEL, BEX, BEI, BCT, BAM, BIE, BAG, BAS	Pass Marks	32
Year / Part	I / I	Time	3 hrs.

**Subject: - Engineering Physics (SH 402)**

- ✓ Candidates are required to give their answers in their own words as far as practicable.
- ✓ Attempt All questions.
- ✓ The figures in the margin indicate Full Marks.
- ✓ Assume suitable data if necessary.

1. What is torsional pendulum? Derive an expression for modulus of rigidity of a wire by using torsional pendulum. [1+4]

OR

Define damping force. Derive differential equation of damped harmonic motion and write its plane solution. Also explain the conditions for under damping, critical damping and over damping with sketch. [1+2+2]

2. An oscillating LC circuit consists of a 75 mH inductor and a 3.6  $\mu$ F capacitor. If the maximum charge on the capacitor is 2.9  $\mu$ C. What are the total energy circuit and the maximum current? [2.5+2.5]
3. The reverberation time for empty hall is 1.5 sec with 500 audiences in the hall, the reverberation time falls 1.4 sec. Find the number of persons present in the hall if the reverberation time falls down to 1.312 sec. [5]
4. Two thin converging lens each of focal length 0.15 m and 0.2 m are 0.10 m apart. An object is placed at a distance 0.24 m from the first lens. Find the positions of focal points and position and nature of image. [2+3]
5. What is interference of light? Give the necessary theory to obtain relation for path difference in the interference due to reflected light in thin film. [1+4]

OR

Show that the intensity of second order maxima is 1.62% of central maxima in Fraunhofer Single slit diffraction. [5]

6. What is double refraction? Explain the construction and working of Nicol prism. [1+4]
7. In a Newton's ring arrangement source emitting two wavelengths  $\lambda_1 = 6000\text{\AA}$  and  $\lambda_2 = 5900\text{\AA}$  is used. It is found that  $n^{\text{th}}$  dark ring due to wavelength  $\lambda_1$  coincides with  $(n+1)^{\text{th}}$  dark ring due to  $\lambda_2$ . Find the diameter of  $n^{\text{th}}$  dark ring if the radius of curvature of lens is 90 cm. [5]
8. Draw a well labeled He-Ne Laser and its energy level diagram and explain briefly its working principle. How can it be used in scientific technology? [1+1+2+1]
9. What is quadrupole moment? Prove that the Electric field intensity on its axial line due to quadrupole varies inversely with the fourth power of distance. [1+4]

OR

Define an electric dipole. Discuss the behavior of dipole in electric field. Mention the condition for maximum torque and maximum potential energy in the electric field. [1+4]

10. Explain the term "continuous charge distribution". Derive an expression for electric intensity due to ring of uniformly distributed charge. [1+4]

11. Derive an expression for growth and decay of charges in RC series circuits. Also, show the variation of charge and current with time graphically. [4+1]
12. A copper wire has cross-sectional area  $3.31 \times 10^{-6} \text{ m}^2$  and carries a current of 5 A. What is the drift speed of the electrons? (density of Copper =  $8.95 \text{ gmcm}^{-3}$  and Avogadro's number =  $6.02 \times 10^{23} \text{ mol}^{-1}$ , Molar mass of copper = 64 gm) [5]
13. What is Hall mobility? Explain how will you determine the carrier charge density and sign of charge carrier from Hall experiment. [1+4]

OR

- What is self inductance? Derive an expression for self inductance per unit length of a solenoid and hence prove that magnetic energy is proportional to square of magnetic field. [1+4]
14. A long coil consisting of 100 turns with diameter 100 cm carries a current of 5 A. Find the magnetic field at a point along the axis 100 cm from the center. [5]
15. Write Maxwell Equation in integral form and convert into differential form. [5]
16. An electron with kinetic energy 5 eV is incident on a barrier of height 10 eV and width 0.25 nm. Calculate the probability that an electron (a) will tunnel through the barrier? and (b) will be reflected? [4+1]

\*\*\*



TRIBHUVAN UNIVERSITY  
INSTITUTE OF ENGINEERING  
**Examination Control Division**  
2079 Bhadra

Exam.	Regular		
Level	BE	Full Marks	80
Programme	BEL, BEX, BEI, BCT, BAM, BIE, BAG, BAS	Pass Marks	32
Year / Part	I / I	Time	3 hrs.

*Subject: - Engineering Physics (SH 402)*

- ✓ Candidates are required to give their answers in their own words as far as practicable.
- ✓ Attempt All questions.
- ✓ The figures in the margin indicate Full Marks.
- ✓ Assume suitable data if necessary.

- Define centers of suspension and oscillation of a compound and show that they are interchangeable. Find the expression for minimum time period. [2+2+1]

OR

Define EM oscillation. Compare it with Mechanical Oscillation. Develop a relation of frequency of LC oscillation for under damped condition. [1+2+2]

- A 750 gm block oscillates on the end of a spring whose force constant is 56 N/m. The mass moves in a fluid of damping const 0.162 Ns/m. Find the period of oscillation. [5]
- A room has dimension 5m × 4m × 4m. Find (i) the mean free path of the sound wave in the room. (ii) No. of reflection made/sec by sound waves with the walls of the room. Given the velocity of sound in air is 350 m/sec. [5]
- What is the power of combination of lenses of focal lengths 50 cm and 10 cm which are separated by 10 cm? [5]
- Explain briefly, with well-labeled ray diagram, the diffraction at single slit. Show that the intensity of first maxima is 4.54% of intensity of central maxima. [2+3]

OR

What is Nicol prism? How can linearly, circularly and elliptically polarized light be produced? Derive the relation. [2+3]

- What is Newton's ring? Describe a necessary theory of Newton's rings method for the determination of wavelength of light. [1+4]
- Calculate the minimum number of lines in a grating which will just resolve the sodium lines in the first order spectrum. The wavelengths are 5890 Å and 5896 Å. [5]
- Starting from energy level diagram, explain how lasers can be produced by Helium-Neon gas. [5]
- What is an electric quadrupole? Calculate potential for points on the axis of the quadrupole. [1+4]

OR

Find the electric field at a distance z above the center of a flat circular disc of radius R which carries a uniform surface charge density  $\sigma$ . What does your formula give in the limit  $R \rightarrow \infty$ ? [4+1]

- A long cylindrical conductor has length 1 m and is surrounded by a coaxial cylindrical conducting shell with inner radius double that of long cylindrical conductor. Calculate the capacitance for this capacitor assuming that is vacuum in space between cylinders. [5]
- State Gauss Law of electrostatics. Show that electric field intensity at the surface of infinitely long non-conducting cylindrical symmetric uniform charge distribution is maximum. [1+4]

12. Calculate the mean free path and mean free time between collisions for the conduction electrons in copper having electron density  $8.5 \times 10^{22}/\text{cm}^3$  and resistivity  $1.7 \times 10^{-8} \Omega\text{m}$ . Given: charge of an electron =  $1.6 \times 10^{19}\text{C}$ , mass of an electron =  $9.1 \times 10^{-31} \text{kg}$  and speed of an electron =  $1.6 \times 10^6 \text{m/s}$ . [5]

13. Compare the methods of Biot and Savart law and Ampere's law to calculate magnetic fields due to current carrying conductor. Calculate magnetic field at an axial distance 'x' from the center of the circular coil carrying current. [2+3]

OR

Explain Hall Effect. Derive an expression for Hall coefficient for an electron. [1+4]

14. In a LR circuit, the current builds up to 20% of its steady state value in 3 sec. What is the inductive time constant? [5]

15. Prove that  $\frac{E}{B} = \frac{1}{\sqrt{\mu_0 \epsilon_0}}$  where E is electric field, B is magnetic field;  $\mu_0$  and  $\epsilon_0$  are the permeability and permittivity of free space. [5]

16. A beam of electrons having energy of each 3eV is incident on a potential barrier of finite height 4eV. If the width of the barrier is 1 nm, calculate the percentage transmission of the beam through barrier. [5]

\*\*\*

TRIBHUVAN UNIVERSITY  
INSTITUTE OF ENGINEERING  
Examination Control Division

2079 Baishakh

Exam.	Back		
Level	BE	Full Marks	80
Programme	BEL, BEX, BEL, BCT, BAM, BIE, BAG, BAS	Pass Marks	32
Year / Part	I / I	Time	3 hrs.

**Subject: - Engineering Physics (SH 402)**

- ✓ Candidates are required to give their answers in their own words as far as practicable.
- ✓ Attempt **All** questions.
- ✓ **All** questions carry equal marks.
- ✓ Assume suitable data if necessary.

1. Derive a differential equation for damped oscillation. Write its solution and angular frequency. Hence discuss all three cases of damped angular frequency and corresponding motion.

OR

Derive a relation to determine the radius of gyration of a compound pendulum. Why is the determination of acceleration due to gravity more accurate from a compound pendulum than a simple pendulum?

2. A circuit has  $L = 12 \text{ mH}$ ,  $C = 1.6 \mu\text{F}$  and  $R = 1.5 \Omega$ 
  - a) After what time  $t$ , will the amplitude of the charge oscillations drop to one half of its initial value?
  - b) To how many periods of oscillation does this correspond?
3. What are particle velocity and wave velocity? Find the relation between them.
4. What is chromatic aberration of a lens? Obtain the condition of achromatism in the case of combination of two lenses of the same material.
5. What is diffraction of light? Explain how can you obtain the wavelength of light using a diffraction grating.

OR

Define interference of light. Analytically explain the condition for maximum and minimum intensity and hence show graphically the variation of intensity with phase angle.

6. A screen is placed 2m away from a narrow slit which is illuminated with light of wavelength  $6000 \text{ \AA}$ . If the first minimum lies 5 mm on either side of the central maximum, calculate the slit width.
7. Find the specific rotation of a given sample of sugar solution if the plane of polarization is turned through an angle  $25.2^\circ$ . The length of the tube containing 15% sugar solution is 20 cm.
8. Calculate the numerical aperture and acceptance angle of optical fiber in which refractive index of core is 1.62 and that of cladding is 1.52.

9. Give the general method to calculate the electric field due to continuous charge distribution. Use it to calculate the electric field intensity at a perpendicular distance 'y' from the infinite rod having a linear charge density  $\lambda$ .

OR

What is electric field? Calculate the electric field at a distance x from the center of ring of charge. Show that if a negative charge  $-q$  is placed near the center of charged ring, the motion of charge  $-q$  will be simple harmonic.

10. A parallel plate capacitor has a capacitance of 110 pF, with a plate area of  $90 \text{ cm}^2$  is filled with a substance of dielectric constant  $k = 5.5$ . A potential difference of 50 V is maintained between plates. Determine:
- The electric field strength in the dielectrics.
  - The magnitude of free charge on the plate.
  - The magnitude of induced surface charge.
  - The magnitude of polarization vector.
11. Discuss microscopic view of conduction. Show that resistivity and conductivity are independent of applied field and depends on nature of material.
12. Compare Biot-Savart law with Amper's law to calculate magnetic field due to current carrying conductor. Calculate the magnetic flux density at an axial distance 'x' from the centre of the coil of radius 'R' carrying a current 'i'.

OR

Describe the working mechanism of cyclotron. Find the expression for maximum energy of a rotating particles in a cyclotron. Write its limitation. How can you overcome its limitation?

13. A long circular coil consisting of 100 turns with diameter 1.2 m carries a current of 5A
- Calculate the magnetic field at a point along the axis 80 cm from the center.
  - At what distance from the center, along the axis, the magnitude of field is  $1/8$  times its value at the center?
14. A uniform magnetic field of strength 8.0 T is applied perpendicularly on a rectangular metal strip of width 2.0 mm and thickness  $15.0 \mu\text{m}$ . A current of 1.5A is passed along the length of strip and a transverse voltage equal to  $350 \mu\text{V}$  is measured across its width. Calculate
- The average velocity of the electron in the metal.
  - The number of conduction electron per unit volume in this metal.
15. Mention the Maxwell's electromagnetic equations in integral and differential form. Show that the electromagnetic wave propagate with the speed of light in free space.
16. A particle of mass M is confined in one dimensional infinitely deep potential well of width 'L'. Calculate the wave function and energy eigen value. Hence draw the wave function and its corresponding probability density for first three Quantum number.

\*\*\*

TRIBHUVAN UNIVERSITY  
INSTITUTE OF ENGINEERING  
Examination Control Division

2078 Kartik

Exam. Level	Back		
	BE	Full Marks	80
Programme	BEL, BEX, BEI, BCT, BAM, BIE, BAG, BAS	Pass Marks	32
	Year / Part	I / I	Time
			3 hrs.

**Subject: - Engineering Physics (SH402)**

- ✓ Candidates are required to give their answers in their own words as far as practicable.
- ✓ Attempt All questions.
- ✓ All questions carry equal marks.
- ✓ Assume suitable data if necessary.

1. Derive the time period of physical pendulum. Show that its time period is minimum when length of pendulum is equal to radius of gyration.

OR

Derive a differential equation for LC oscillation. Show that the maximum values of electric and magnetic energies stored in LC circuit in equal.

2. A solid sphere of mass 3kg and diameter 0.20m is suspended on a wire. Find the period of angular oscillation for small displacements if the torsional constant of the wire is  $6 \times 10^{-3} \text{ Nm/rad}$ .
3. A string has linear mass density 530g/m and tension 50N. We send a sinusoidal wave with frequency 120Hz and amplitude 6.5mm along the string. At what average rate does the wave transport energy?
4. What are Newton's rings? Give the necessary theory for the determination of refractive index of liquid using Newton's ring method.

OR

What is double refraction? Show that linearly and circularly polarized light are the special cases of elliptically polarized light.

5. Light is incident normally on a grating 0.5cm wide with 2500 lines. Find the angular separation for the principle maxima of two sodium lines ( $\lambda_1 = 589.0\text{nm}$  and  $\lambda_2 = 589.6\text{nm}$ ) in the first order. Are the two lines resolved?
6. Show that diameter of the circle of least confusion is independent of the focal length of lens in the case when object is at infinity.
7. Two lenses of focal length +5.5cm and +4.5cm are separated by a finite distance. Find the position of principle points if the combination satisfies the condition of achromatism.
8. Define optical fiber. Derive the expressions for acceptance angle and numerical aperture of optical fiber.
9. Prove that the electric field due to a short dipole at a point on axial line is twice that on the equatorial line.

OR

Discuss Gauss's law in electrostatics. Find the electric field intensity at a point outside and inside the uniformly charged non-conducting sphere of radius R.

10. A capacitor of capacitance  $C$  is discharged through a resistor of resistance  $R$ . After how many time constants is the stored energy  $\frac{1}{4}$  of its initial value.
11. Discuss a microscopic view of Ohm's law and show that resistivity of a conductor is independent of the external electric field.
12. Derive the expression of magnetic flux density at a point on the axis of a circular coil carrying current with  $N$  number of turns. Explain how the coil behaves for large distance.

OR

Show that the electrical energy density and the magnetic energy density are proportional to square of their corresponding fields.

13. Deuterons in cyclotron describe a circle of radius  $0.32\text{m}$  just before emerging from dees. The frequency of the applied emf is  $10\text{ MHz}$ . Find the flux density of the magnetic field and velocity of deuterons emerging out of the cyclotrons. (Mass of deuteron is  $3.32 \times 10^{-27}\text{ kg}$ ).
14. Find an expression of the self inductance of a toroid having  $N$  number of turns, radius  $r$  and carrying current  $i$ .
15. The maximum electric field  $20\text{m}$  from an isotropic point source is  $1.5\text{V/m}$ . Determine:
  - a) the maximum value of magnetic field
  - b) average intensity of light
  - c) power of the source.
16. Prove that the energy levels are quantized, when an electron is confined in an infinite potential well of width  $a$ .

\*\*\*

TRIBHUVAN UNIVERSITY  
INSTITUTE OF ENGINEERING  
Examination Control Division

2078 Bhadra

Exam.	Regular		
Level	BE	Full Marks	80
Programme	BEL, BEX, BEI, BCT, BAM, BIE, BAG, BAS	Pass Marks	32
Year / Part	I / I	Time	3 hrs.

**Subject: - Engineering Physics (SH 402)**

- ✓ Candidates are required to give their answers in their own words as far as practicable.
- ✓ Attempt All questions.
- ✓ All questions carry equal marks.
- ✓ Assume suitable data if necessary.

1. Deduce the formula for the time period of compound pendulum and show that it is minimum when length of the pendulum is equal to radius of gyration.

Or,

Develop a differential equation of forced oscillations in LCR series circuit and find an expression for resonant frequency.

2. A string has linear density 525gm/m and tension 45N. When a sinusoidal wave of frequency 120Hz and amplitude 8.5mm is sent along the string, at what average rate does the wave transport energy.
3. What is meant by reverberation time. Derive the relation of sabine's formula. Also explain the growth and decay of sound in a hall.
4. What is chromatic aberration? Derive an expression for the condition of achromatism of two thin lenses in contact.
5. What do you mean by coherent sources? Derive necessary theory of interference due to wedge shape thin film.
6. The spacing of a atomic planes in a crystal is  $3.1 \times 10^{-10}$ . When a monochromatic beam of X-ray is incident on them at incident angle  $82^\circ 30'$  second order image is produced, calculate the glancing angle for the 4<sup>th</sup> order image.
7. A 200mm long glass tube is filled with a solution of sugar, containing 15 gram of sugar in 100ml of water. The plane of polarized light, passing through this solution, is rotated though  $20^\circ 30'$ . Find the specific rotation of sugar.
8. An optical fiber has numerical aperture 0.22 and refractive index change 0.012. What are the values of refractive index of core and cladding?
9. Define the term quadrupole. Derive the relation of the electric potential due to linear quadruple along its axial line.

OR

Derive an expression for electric field intensity due to the non-conducting spherically symmetric charge distribution of radius R at point (i) inside sphere (ii) outside sphere by using Gauss law. Also write down the significance of Gaussian surface.

10. Two similar balls of mass  $m$  and charge  $q$  are hanging from silk thread of length  $l$ . These two balls are repelled by angle  $2\theta$ , prove that the separation of the balls is

$$x = \left( \frac{q^2 l}{2\pi\epsilon_0 mg} \right)^{1/3}, \text{ assuming } \theta \text{ is very small.}$$

11. An electron with kinetic energy 2.5 KeV circles in a plane perpendicular to a uniform magnetic field. The radius of the orbit is 25cm. Calculate (i) the speed of the electron (ii) the flux density of magnetic field (iii) the number of revolutions per second.
12. What is the average time between collisions of free electrons in copper wire? Given, atomic weight = 63 gm/mol, density =  $9\text{gm/cm}^3$ , resistivity =  $1.7 \times 10^{-8} \Omega\text{m}$  and Avogadro's no =  $6.02 \times 10^{23} \text{mol}^{-1}$ .
13. State and explain Biot and Savart's law. Derive an expression for magnetic field due to current carrying circular loop at axial line.

OR

Derive an expression for the growth and decay of current in LR circuit. Explain the meaning of inductive time constant.

14. A 10eV electron is circulating in a plane at right angles to a uniform field of magnetic induction of  $1 \times 10^{-4} \text{Wb/m}^2$ . Calculate its orbital radius, cyclotron frequency and period of revolution.
15. Sun light just outside the earth in atmosphere has an intensity of  $1.4\text{kW/m}^2$ . Calculate the maximum electric and magnetic fields for sun light, assuming it to be a plane wave. Given  $c = 2.99 \times 10^8 \text{m/s}$ .
16. Show that energy of an electron that is confined in the infinite potential well is quantized and sketch that energy level and wave function diagram for  $n=1, 2$  and  $3$  for that well.

\*\*\*



TRIBHUVAN UNIVERSITY  
INSTITUTE OF ENGINEERING  
Examination Control Division

2076 Chaitra

Exam.	Regular		
Level	BE	Full Marks	80
Programme	BEL, BEX, BEI, BCT, BAM, BIE, BAG, BAS	Pass Marks	32
Year / Part	I / I	Time	3 hrs.

*Subject: - Engineering Physics (SH 402)*

- ✓ Candidates are required to give their answers in their own words as far as practicable.
- ✓ Attempt All questions.
- ✓ All questions carry equal marks.
- ✓ Assume suitable data if necessary.

1. Define point of suspension & oscillation of bar pendulum & show that they are interchangeable. Also show that the time period will be minimum, when these points are equidistance from centre of gravity.

Or,

What is damped oscillation? Develop a relation for damped frequency in LCR oscillation. Hence discuss the underdamped, overdamped and critically damped oscillations.

2. In an oscillation, the amplitude drops to  $1/e$  of its original amplitude in 50sec. Find the relaxation time. Also, obtain the time required to drop the amplitude to  $1/e^2$  of the original amplitude.

3. The reverberation time for an empty hall is 1.5 sec. With 500 audiences present in the hall, the reverberation time falls to 1.4 secs. Find the number of persons present in the hall if the reverberation time falls to 1.312 sec.

4. A coaxial lens system placed in air has two lens of focal length 36cm & 12cm separated by a distance 24cm. Find the position of the cardinal points.

5. What is Newton's Ring? How can it be used to determine the refractive index of the liquid?

Or,

Discuss the similarities & difference of Young's double slit interference & single slit diffraction. Interrelate the discussion to explain the formation of spectra by diffraction in a single slit.

6. Show the intensity in the first and second order in a single slit diffraction reduced approximately to 4.5% and 1.6% of its central maxima.

7. Two polarizing sheets are placed together with their transmission axes crossed. A third sheet is inserted between them with its transmission axis at an angle of  $45^\circ$  with respect to each of the other axes. Find the fraction of incident unpolarised light intensity transmitted by the combination.

8. What is the fiber optics? Discuss the physics behind the optical fiber transmission. Derive an expression for acceptance angle of an optical fiber.

9. Define electric quadrupole and quadrupole moment. Hence, determine the expression for electric field intensity due to the quadrupole at axial line.

Or,

State and prove the Gauss's law in electrostatics. Apply this law to determine the electric field intensity at a point inside the uniformly charged non conducting solid sphere.

10. A parallel plate capacitor each of area  $100\text{cm}^2$  has potential difference of  $50\text{V}$  and capacitance  $100\text{pF}$ , if a mica of dielectric constant  $5.4$  is inserted between plate, find the magnitude of
- Electric field intensity
  - Displacement vector
  - Polarization vector
11. Define Faraday's laws of electromagnetic induction and Lenz's law. Obtain an expression for self inductance of toroid.
12. If the carrier density of intrinsic Germanium at  $300\text{K}$  is  $2.29 \times 10^{13}/\text{cm}^3$ . Calculate the resistivity at the same temperature given that electron & hole mobilities are  $0.39\text{m}^2\text{v}^{-1}\text{s}^{-1}$  &  $0.19\text{m}^2\text{v}^{-1}\text{s}^{-1}$  respectively.
13. Compare Biot-Savart law with Amper's law. Calculate the magnetic field outside & inside due to a long, straight wire of radius  $R$  carrying a steady current  $I$  that is uniformly distributed through the cross-section of the wire.
14. A long solenoid of radius  $2\text{cm}$  has  $1 \times 10^3$  turns per meter and carries a sinusoidally varying current  $I = 5 \sin 100\pi t$ , where  $I$  is in ampere &  $t$  is in second. Determine the magnitude of induced electric field at a radius  $r = 1\text{ cm}$  &  $r = 3\text{ cm}$  from its central axis.
15. What is Displacement current? Define and derive the relation of poynting vector in electromagnetism.
16. An electron with an energy of  $8\text{eV}$  is incident on a potential barrier which is  $9.2\text{eV}$  high &  $0.2\text{ nm}$  wide.
- what is the maximum transmission coefficient that the electron will pass through the barrier?
  - what is the probability of transmission that the electron will pass through the barrier.

\*\*\*

TRIBHUVAN UNIVERSITY  
 INSTITUTE OF ENGINEERING  
 Examination Control Division  
 2076 Ashwin

Exam	Back		
Level	BE	Full Marks	80
Programme	BEL, BEX, BEI, BCT, BAM, BIE, BAG, BAS	Pass Marks	32
Year / Part	I / I	Time	3 hrs.

*Subject: - Engineering Physics (SH 402)*

- ✓ Candidates are required to give their answers in their own words as far as practicable.
- ✓ Attempt All questions.
- ✓ All questions carry equal marks.
- ✓ Assume suitable data if necessary.

1. Derive an expression for the time period of a physical pendulum and establish the interchangeability of the center of oscillation and suspension.

OR

Give the necessary theory of forced electromagnetic oscillation and deduce the condition for resonance amplitude in LCR series circuit with ac source.

2. Write down the characteristics of simple harmonic progressive wave. Derive an expression of energy of a progressive wave.
3. A spring is stretched by 5 cm when a load of 1kg is suspended to the lower end (upper end of spring is fixed). What will be the maximum velocity of object if it is pulled down further by 5cm from equilibrium position and then released?
4. Two thin lenses of focal lengths  $f_1$  and  $f_2$  separated by a distance  $d$  have an equivalent focal length 0.3m and both lenses are of same material. The combination of lenses satisfies the condition of achromatism and minimization of spherical aberration. Find the value of  $f_1$  and  $f_2$ .
5. Explain the formation of Newton's ring in reflected system of monochromatic light. Prove that in reflected light diameters of the dark rings are proportional to the square root of natural numbers.

OR

What is double refraction of light? Using the concept of double refraction, show that the plane polarized light and circularly polarized light are the special cases of elliptically polarized light.

6. A plane transmission grating of width 6 cm has 5000 lines/cm. Find the resolving power of grating for second order spectrum and the smallest wavelength difference that can be resolved for light of wavelength 5000 Å.
7. A plano-convex lens of radius 300 cm is placed on an optically flat glass plate and is illuminated by monochromatic light. The diameter of the 8<sup>th</sup> dark ring in the transmitted system is 0.72 cm. Calculate the wavelength of light used.
8. Differentiate between LASER and white light. Why the light in He-Ne laser is produced from Neon and not from Helium?
9. A ring shaped conductor with radius  $R$  carries a charge  $q$  uniformly distributed around it. Find the electric field intensity at an axial point of ring at distance  $y$  from the centre.

OR

Define capacitance. Give a general method to calculate capacitance of a capacitor. Find expression for the capacitance of a cylindrical capacitor.

10. An electric dipole consists of charges  $10\mu\text{C}$  and  $-10\mu\text{C}$  separated by a distance of  $1\text{mm}$ . What is the maximum torque experienced by the dipole if placed in the uniform electric field of intensity  $400\text{ V/cm}$ ?
11. Calculate the (i) mean free time and (ii) mean free path between collisions for the conduction electrons in copper having electron density  $8.5 \times 10^{28} / \text{m}^3$  and resistivity  $1.7 \times 10^{-8} \Omega\text{m}$ . Charge of electron  $1.6 \times 10^{-19} \text{ C}$ , mass of electron  $9.1 \times 10^{-31} \text{ kg}$ , effective speed of electron  $1.6 \times 10^6 \text{ m/s}$ .
12. Using Ampere's law, calculate the magnetic field inside, outside and on the surface of a long current carrying conductor and hence plot a graph between the magnetic field and the distance from the center of the conductor.

**OR**

Show that the energy per unit volume in an electric field and magnetic field are proportional to the square of their fields.

13. A series circuit has  $25\text{ ohm}$  resistance and  $0.1\text{ henry}$  inductance. What will be initial rate of increase of current if the circuit contains a  $12\text{V}$  steady source? What time is required for the current to attain a value of  $100\text{mA}$ ?
14. A wire of length  $L$  carries a current  $I$ . If the wire is formed into a circular coil, then the maximum torque in a given magnetic field  $B$  developed for a single turn is  $\tau = \left(\frac{1}{4\pi}\right) L^2 IB$
15. Write Maxwell's equations in integral form. Convert them into differential form.
16. An electron is confined to an infinite potential well of size  $8.5\text{ nm}$ . Calculate the ground state energy of the electron and radian frequency. Given: Planck's constant  $= 6.62 \times 10^{-34} \text{ Js}$ , mass of electron  $= 9.1 \times 10^{-31} \text{ kg}$ .

\*\*\*

TRIBHUVAN UNIVERSITY  
INSTITUTE OF ENGINEERING  
**Examination Control Division**  
2075 Chaitra

Exam.	Regular / Back		
	Level	BE	Full Marks
Programme	BEL, BEX, BEI, BCT, BAM, BIE, BAG, BAS	Pass Marks	32
Year / Part	I / I	Time	3 hrs.

*Subject: - Engineering Physics (SH 402)*

- ✓ Candidates are required to give their answers in their own words as far as practicable.
- ✓ Attempt All questions.
- ✓ All questions carry equal marks.
- ✓ Assume suitable data if necessary.

1. Define torsional pendulum. Derive an expression for its time period. Explain why the time period of the torsional pendulum remains unaffected even if the amplitude is large.

OR

What is a damped EM oscillations? Which factor in the circuit is responsible to produce such a motion? Derive a differential equation for this motion and write its solution. What will be the remedy of such motion to make it smooth?

2. A meter stick swings as a compound pendulum when suspended from one of its end. Calculate (a) period of the oscillations and (b) equivalent length of the simple pendulum that would have the same period.
3. Mention the conditions for good acoustics of a hall and derive an expression for reverberation time.
4. Why Newton's interference fringes are circular? Derive an expression for radius of the Newton's ring due to the transmitted light.

OR

Define dispersive and resolving power of a diffraction grating. Derive an expression for the resolving power of the grating having N slits.

5. A plane transmission grating having 5000 lines/cm is used to obtain a spectrum of light from a sodium lamp in the second order. Calculate the angular separation between the two sodium lines whose wavelengths are 589 nm and 589.6 nm.
6. Calculate the specific rotation if the plane of polarization is turned through  $30.5^\circ$  traversing 25 cm length of 10% sugar solution.
7. Define an optical fiber and mention its types. Explain the numerical aperture and acceptance angle for the optical fiber and derive the expression to establish a relationship between them.
8. Dispersive powers for crown and flint glass lenses are 0.015 and 0.030 respectively. How can you design an achromatic contact of the lenses of focal length 50 cm?
9. What is an electric Quadrupole? Derive an expression for the electric potential at any point on the axial line at a distance 'r' from the centre of a short Quadrupole. Also, show that the electric potential at that point is inversely proportional to  $r^3$ .

OR

Discuss the modification of Gauss law due to the presence of the dielectrics and derive a relation among displacement vector, polarization vector and the electric field.

10. A particle of charge  $-q$  and mass  $m$  is placed midway between two equal positive charges  $q_0$  of separation  $d$ . If the negative charge executes SHM between the positive charges, then derive an expression for the time period of the oscillations.
11. Calculate the mean free time and mean free path between the collisions for the free electrons in copper with number density of the electron  $8.5 \times 10^{28} \text{ m}^{-3}$  and resistivity  $1.7 \times 10^{-8} \text{ ohm-m}$ . ( $e = 1.6 \times 10^{-19} \text{ C}$ ,  $m_e = 9.1 \times 10^{-31} \text{ kg}$  and effective speed of the electron  $= 1.6 \times 10^6 \text{ m/s}$ )
12. Define the cyclotron and cyclotron frequency. show that energy of a charged particle in a cyclotron is independent to the oscillating electric field.

**OR**

State Ampere's law in magnetism. Calculate the magnetic field outside and inside a current carrying long straight conductor.

13. An inductance of an inductor  $L$  connected to a battery of emf  $\epsilon$  through a resistor of resistance  $R$ . Show that the p.d. across the inductor after time  $t$  is  $V_L = \epsilon e^{-(R/L)t}$ . At what time the p.d. across the inductor is equal to the p.d. across the resistor such that  $i = i_0/2$ .
14. What is magnetic flux density at the center of a circular coil of radius 2 cm and with 20 turns carrying current of 10 A?
15. Write Maxwell equations in differential form. State and explain the pointing vector and theorem.
16. What is the physical significance of wave function? Derive the relation of Schrodinger wave equation in time dependent form.

\*\*\*

Exam.	Back		
Level	BE	Full Marks	80
Programme	BEL, BEX, BCT, BAME, BIE, B. Agri.	Pass Marks	32
Year / Part	I / I	Time	3 hrs.

*Subject: - Engineering Physics (SH402)*

- ✓ Candidates are required to give their answers in their own words as far as practicable.
- ✓ Attempt All questions.
- ✓ The figures in the margin indicate Full Marks.
- ✓ Assume suitable data if necessary.

1) Deduce the time period of a simple harmonic vibration. Explain why a loaded bus is more comfortable than an empty bus. (3+2)

2) Explain forced oscillation with its differential equation. Write the relation for the frequency dependent amplitude and hence give a rough sketch of the resonance curve. (3+2)

Or

Calculate the average amplitude of a sinusoidal sound wave in air of a frequency of 1.5 KHz and average intensity  $10^{-5} \text{W/cm}^2$ , where density of air is  $1.29 \text{kg/m}^3$ . (5)

3) Give an account of bad acoustic properties of a hall and discuss the method to improve these defects. (5)

4) Explain the physical meaning of Dispersive and resolving powers of a Grating. Two spectral lines have wavelengths  $\lambda$  and  $\lambda + \Delta\lambda$  respectively where  $\Delta\lambda \ll \lambda$ . Show that their angular separation  $\Delta\theta$  in a grating spectrometer is  $\Delta\theta = \frac{\Delta\lambda}{\sqrt{\left(\frac{d}{m}\right)^2 - \lambda^2}}$ , where 'd' and 'm' are grating elements and no. of order respectively. (2+3)

Or

In newton's ring experiment, "Central spot is dark in reflected system" and "Fringes get closer as the no. of order increased" explain. Is it possible to make central spot bright in reflected system? If so how? (3+2)

5) A soap film  $5 \times 10^{-5} \text{cm}$  thick is viewed at an angle of  $35^\circ$  to the normal. Find the wavelength of the visible light which will be absent from the reflected light. (5)

6) Light of wavelength 580nm falls on a calcite crystal of certain thickness. The emerging light is circularly polarized. What must be the thickness of such crystal? (5)

7) Calculate the focal length of combination of two thin lenses of focal length  $f_1$  and  $f_2$  separated by a distance 'd'. Find the position of two principal points. (5)

8) Trace the ray diagram that shows the propagation of light through the step and graded index optical fiber. Write the importance of self-focusing in an optical fiber. (3+2)



9) Charge of uniform density  $\rho=3.2\mu\text{C}/\text{m}^2$  fills a non-conducting solid sphere of radius of 5.0 cm. What is the magnitude of the electric field a) at 3.5 cm b) 8.0 cm from the sphere's center

(5)

Or

Two large parallel plates are separated by a distance of 5cm. The plates have equal but opposite charges that create an electric field in the region between the plates. An alpha particle ( $q=3.2*10^{-19}\text{C}$ ,  $m=6.68*10^{-27}\text{kg}$ ) is released from the positively charged plate, and it strikes the negatively charged plate  $2*10^{-6}$  sec later. Assuming that the electric field between plates is uniform and perpendicular to the plates, what is the strength of electric field?

(5)

10) Calculate the potential at a point due to a uniform line of charge of length L at a distance D from its one end which lies in the perpendicular line.

(5)

11) Explain how electric energy is stored in a capacitor and derive an expression for energy density of electric field.

(2+3)

12) Explain super conductivity and its types with examples. Write the difference(s) between super conductor and perfect conductor.

(3+2)

13) If a test charge revolves round a circular path of radius 8.5cm where the magnetic field increases at steady rate 0.13T/s, calculate the magnitude of induced electric field at a point 12.5 cm?

(5)

14) Derive expression for inductances of a solenoid and toroid. Then show that inductance is the property of the coil.

(5)

Or

What is Hall Effect? Write its importance. Show that the hall coefficient  $R_H = -1/ne$ , where the symbols have their own meanings.

(1+1+3)

15) The Sun delivers about  $10^3\text{W}/\text{m}^2$  of energy to the earth's surface through EM radiation calculate a) the total power incident on a roof of dimensions 8m \*20 m. b) Radiation pressure and force exerted on the roof, assuming roof is perfect absorber.

(2+3)

16) A beam of electrons having energy of each 3ev is incident on a potential barrier of height 4ev. If the width of the barrier is 20nm, calculate the percentage transmission of the beam through the barrier.

(5)

\*\*\*



Exam.	Regular		
Level	BE	Full Marks	80
Programme	BEL, BEX, BCT, BAME, BIE, B. Agri.	Pass Marks	32
Year/Part	I/I	Time	3 hrs.

**Subject: - Engineering Physics (SH402)**

- ✓ Candidates are required to give their answers in their own words as far as practicable.
- ✓ Attempt All questions.
- ✓ All questions carry equal marks.
- ✓ Assume suitable data if necessary.

1. Describe L.C oscillation qualitatively by using necessary circuits and graph.

**OR**

Define the terms sharpness of resonance and quality factor. Derive the relation of quality factor in terms of band width.

2. Define transverse wave. Develop a differential equation of the wave in a stretched string and then find the velocity of transverse wave.
3. A reverberation time of 2.3 sec is observed in a hall of volume  $5500 \text{ m}^3$ . The sound absorbing surface of the hall has an area of  $750 \text{ m}^2$ . Calculate the average absorption coefficient.
4. What are constructive and destructive interference? Prove that the path difference for constructive interference is integer multiple of  $\lambda$  and that for destructive interference is odd integer multiple of  $\lambda/2$ .

**OR**

How can you distinguish the plane, circularly and elliptically polarized light by using nicol prised and wave plate?

5. What is diffraction of light? Explain the dispersive power and resolving power of a diffraction grating. Derive the relation and also relate them.
6. A 30 cm long polarimeter tube containing  $50 \text{ cm}^3$  of sugar solution produces an optical rotation  $14.5^\circ$  when placed on a polarimeter tube. If the specific rotation of sugar solution is  $65^\circ$ , calculate the quantity of sugar contained in the tube.
7. Two thin converging lenses of focal lengths 30 cm and 40 cm respectively are placed co-axially in air separated by a distance of 20 cm. An object is placed 40 cm in front of the first lens. Find the position and nature of the image.
8. What is optical fiber? Explain numerical aperture and acceptance angle. Also compare the attenuation property efficiency and cost of single mode and multimode optical fibers.
9. What is electrical dipole and dipole moment? Derive an expression of the electric field intensity at a point due to dipole at equatorial line?

10. Define the three electric vectors  $E, P, D$  and develop a relation between them.

*OR*

A cylindrical capacitor has radii 'a' and 'b'. Show that half the energy stored lies within the cylinder whose radius is  $r = \sqrt{ab}$ .

11. What will be the conductivity of sodium metal having atomic weight 22.9 and density  $1.013 \text{ gm/cm}^3$ ? The relaxation time of sodium metal is  $3 \times 10^{-14} \text{ sec}$ .
12. What type of particles can be accelerated by a cyclotron? Explain the working of cyclotron and synchrotron with their differences.

*OR*

Differentiate between electromagnetic induction and self-induction. Develop an expression for self-inductance of a toroid.

13. Using Ampere's law, calculate the magnetic field inside, outside and on the surface of a long current carrying conductor and hence plot a graph between the magnetic field versus distance from the center of the conductor.
14. Determine the energy stored in an inductor. Also, determine the energy density in magnetic field.
15. A radio wave transmits  $25 \text{ W/m}^2$  of power per unit area. The flat surface area is perpendicular to the direction of propagation of the wave. Calculate the radiation pressure on it and maximum electric and magnetic field associated with the wave.
16. What are the significances of wave-function? Using the wave function derive and expression for the time dependent Schrodinger wave equation.

\*\*\*

Exam.	Back		
Level	BE	Full Marks	80
Programme	BEL, BEX, BAME, BCT, BIE, B.Agr.	Pass Marks	32
Year / Part	I / I	Time	3 hrs.

*Subject: - Engineering Physics (SH402)*

- ✓ Candidates are required to give their answers in their own words as far as practicable.
- ✓ Attempt All questions.
- ✓ All questions carry equal marks.
- ✓ Assume suitable data if necessary.

1. Define centers of suspension and oscillation of a compound pendulum and show that they are interchangeable. What length of the pendulum has its minimum time period?

OR

Define SHM. Derive the expression for energy of SHM. Show that the KE and PE of simple harmonically oscillating object changes with time however the total energy is invariant.

2. What is LC oscillation? Derive the differential equation of free oscillation and compare its solution with mass spring system.
3. What is piezoelectric effect? Describe the construction of a piezoelectric oscillator for the production of ultrasonic waves.
4. Explain how interference fringes are formed by a thin wedge shaped film examining by normally reflected light. Derive a relation for the fringe width on such system of interference fringes.

OR

What is double refraction? Explain how would you use the phenomenon to produce linear polarized light and circularly polarized light.

5. A diffraction grating used at normal incidence gives a line (540 nm) in a certain order superposed on the violet line (405 nm) of the next higher order. How many lines per cm are there in the grating if the angle of diffraction is  $30^\circ$ ?
6. In Ramsden's eyepiece a coaxial lens system is used. There are two lenses in air and are of equal focal length of separated by a distance  $2f/3$ . Find positions of the cardinal points.
7. Discuss the physical significance of numerical aperture (NA). How does it depend on refractive index of core and cladding?
8. Calculate the thickness of doubly refracting plate capable of producing a path differences of  $\frac{\lambda}{4}$  between extraordinary and ordinary rays of wavelength 5890 Å. (Use  $\mu_o = 1.53$ ; and  $\mu_e = 1.54$ )
9. What is an electric dipole and dipole moment? Show that electric field for a short dipole drops inversely to cube of the distance at any point from the dipole on an axial line.

OR

What is an electric quadrupole? Calculate potential for points on the axis of the quadrupole.

10. Two point charges  $6\mu\text{C}$  and  $-24\mu\text{C}$  are 18 cm apart in air. Locate the positions of zero potential on the line joining the charges.
11. Two capacitors having capacitance  $25\mu\text{F}$  and  $5\mu\text{F}$  are connected in parallel and charged with a 100V power supply. Calculate the total energy stored in the two capacitors.
12. What is superconductor? Explain critical magnetic field. Describe the characteristics of superconductor.

*OR*

Explain Biot-Savart law. Show that a current carrying circular coil behaves as a magnetic dipole for a large distance.

13. Explain meaning of self induction. Calculate inductance for a solenoid and Toroid.
14. Deuterons in a cyclotron describe a circle of radius 0.32 m just before emerging from dees. The frequency of the applied emf's 10 MHz. Find the flux density of the magnetic field and the energy of deuterons emerging out of the cyclotron. (mass of deuterons =  $3.32 \times 10^{-27}$  kg.)
15. What are Maxwell's equations? Using Maxwell equations derive electromagnetic (em) wave equation in dielectric medium. Prove that em wave travels with velocity less than velocity of light in such medium.
16. A non relativistic particle is moving three times as fast as an electron. The ratio of the de-Broglie wavelength of the particle to that of the electron is  $1.813 \times 10^{-4}$ . Calculate the mass of the particle.

\*\*\*

Exam.	Regular		
	Level	BE	Full Marks
Programme	BEL, BEX, BAME, BCT, BIE, B.Agric.	Pass Marks	32
Year / Part	1 / 1	Time	3 hrs.

*Subject: - Engineering Physics (SH402)*

- ✓ Candidates are required to give their answers in their own words as far as practicable.
- ✓ Attempt All questions.
- ✓ All questions carry equal marks.
- ✓ Assume suitable data if necessary.

1. Define compound pendulum. Show that the motion of torsional pendulum follows angular SHM. Use it to find modulus of rigidity of a given wire.

OR

- Prove that LC circuit is an analogy of spring mass system. Hence prove that maximum energy stored in the capacitor is equal to maximum energy stored in inductor.
2. If the relaxation time of a damped harmonic oscillator is 50 sec, find the time in which the amplitude falls to  $\frac{1}{e^3}$  times the initial value and energy of the system falls to  $\frac{1}{e^4}$  of its initial value.
  3. A room has dimensions of  $6 \times 4 \times 5$  m. Find (a) the mean free path of the sound wave in the room (b) the number of reflections per second made by sound wave with the walls of the room. (Given, velocity of sound in air is  $330 \text{ms}^{-1}$ ).
  4. Write down the conditions for interference of light? Give the necessary theory for the interference in thin film due to reflected light.

OR

- Describe how will you produce linearly, circularly and elliptically polarized light. Explain with mathematical calculation.
5. A grating with 250 grooves/mm is used with an incandensent light source. Assume visible spectrum to range in wavelength from 400 to 700 nm. In how many orders can one see the entire visible spectrum?
  6. Newton's rings formed by sodium light viewed normally. What is the order of dark ring which will have double the diameter of 50<sup>th</sup> ring?
  7. What do you mean by population inversion and pumping? Describe the working of He-Ne laser with the help of energy level diagram.
  8. What is chromatic Aberration? Show that a single lens is always accompanied with such aberration. Discuss in brief how can we minimize chromatic Aberration in the combination of lenses.
  9. Derive an expression for the electric potential at a point P at an axial distance x from center of the ring of radius 'a' and linear charge density  $\lambda$ . Hence develop the expression for electric field intensity at the same point.

OR

Prove that the electric field due to a short dipole at a point on axial line is twice that on the equatorial line.

10. Charge of uniform volume density  $\rho = 3.2 \mu\text{C}/\text{m}^3$  fills a non conducting solid sphere of radius 5 cm. What is the magnitude of the electric field 3 cm from the sphere's center?
11. A parallel plate capacitor has a capacitance of  $100 \mu\text{F}$ , a plate area of  $100 \text{ cm}^2$  and a mica dielectric. At 50 volts potential difference calculate (a) E in the mica (b) the free charge on the plates and (c) the induced surface charge. [Dielectric constant for mica,  $k = 5.4$ ]
12. What will be the conductivity of sodium metal having electron density  $2.5 \times 10^{28} \text{ m}^{-3}$  and relaxation time  $3 \times 10^{-14} \text{ sec}$ ?
13. Derive an expression for Hall Voltage. How do you differentiate the type of charge carrier from the result of Hall experiment? What is Hall resistance?

**OR**

Derive the relation for rise and fall of current in LR circuit. Plot a graph between current and time and explain the figure.

14. A parallel plate capacitor with circular plates is being charged by varying electric field of  $1.5 \times 10^{12} \text{ V/m-s}$ . Calculate the induced magnetic field if the diameter of the plate is 110 mm and displacement current of this condition.
15. Write Maxwell equations in differential form in free space. Derive electromagnetic wave equations in vacuum. Find their plane wave solutions.
16. Write down Schrodinger time dependent and time independent wave equations. Prove that the energy levels are quantized when the electron is confined in an infinite potential well of width 'a'.

\*\*\*

Exam.	New Back (2066 & Later Batch)		
Level	BE	Full Marks	80
Programme	BAME, BEL, BEX BCT, BIE, B. Agri.	Pass Marks	32
Year / Part	I / I	Time	3 hrs.

**Subject: - Engineering Physics (SH402)**

- ✓ Candidates are required to give their answers in their own words as far as practicable.
- ✓ Attempt All questions.
- ✓ All questions carry equal marks.
- ✓ Assume suitable data if necessary.

1. Write the differences between mechanical oscillation and e.m. oscillation. Set up the differential equation of damped harmonic mechanical oscillation. Obtain the relation for frequency of such oscillation. Hence explain the conditions for different types of damped oscillation

OR

Define sharpness of resonance. Derive the relation for current amplitude of forced e-m oscillation.

2. What are the measures of good acoustic building? Show that the reverberation time decrease with increase in absorbing factors in a hall.
3. Two thin lenses of focal length  $f_1$  and  $f_2$  separated by a distance having an equivalent focal length 50 cm. The combination satisfies the condition for no chromatic aberration and minimum spherical aberration. Find the separation between the two lenses if both lenses are of same materials.
4. Prove that the intensity of first maxima is 4.54% of the central maxima in Fraunhofer's single slit diffraction.

OR

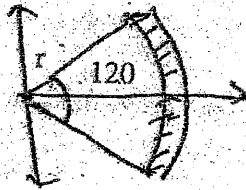
Write the physical meaning of dispersive power and resolving power of grating. Show that resolving power is directly proportional to the total number of rulings on the grating.

5. Newton's Rings arrangement is used with a source emitting two wavelength  $\lambda_1$  and  $\lambda_2$ . It is found that the  $n^{\text{th}}$  dark ring due to  $\lambda_1$  coincides with  $(n+1)^{\text{th}}$  dark ring to  $\lambda_2$ . Find the diameter of  $n^{\text{th}}$  dark ring. ( $\lambda_1 = 6 \times 10^{-5}$  cm,  $\lambda_2 = 5.9 \times 10^{-5}$  cm radius of curvature of the lens  $R = 90$  cm).
6. A quartz crystal has refractive indices 1.553 and 1.544. Calculate the thickness of a quarter wave plate for sodium light of wavelength  $5890 \text{ \AA}$ .
7. Explain the terms stimulated emission, population inversion, optical pumping and metastable. Explain working principle of He-Ne laser.
8. A heavy circular ring of radius  $R$  oscillates in a vertical plane about a horizontal axis at a distance  $x$  from the center. Show that the time period is minimum when  $x = R$

9. Derive the relation for potential at any point due to an electric dipole and show that no work is done in bringing a charge from infinity to dipole along the perpendicular bisector of the dipole.

OR

A plastic rod contains uniformly distributed  $Q$  charge. The rod has been bent in  $120^\circ$  circular arc of radius ' $r$ ' as shown in figure below. Prove that the electric field intensity at the center of bent rod is  $E = \frac{0.83Q}{4\pi\epsilon_0 r^2}$ .



10. Derive the relation for rise and fall of current in charging and discharging of capacitor through resistor. Plot graphs between current and time and explain the figures.
11. The space between two concentric conducting spherical shells of radii  $b = 1.70$  cm and  $a = 1.20$  cm is filled with a substance of dielectric constant  $k = 23.5$ . A potential difference  $V = 73$  V is applied across the inner and outer shells. Determine (a) the capacitance of the device (b) the free charge  $q$  on the inner shell.
12. What is Hall-effect? Derive an expression for the Hall coefficient and established the relation between mobility of charge carrier and conductivity of material of wire.

OR

Derive a relation resistivity of a conductor using microscopic view. From your result, explain why resistivity of a conductor increase with necessary with increasing temperature.

13. Explain the phenomenon of self induction. Calculate the value of inductance for (a) long solenoid and (b) Toroid.
14. What is Ampere's law? Derive the expression for magnetic flux density outside and inside a long straight conductor carrying current  $I$ .
15. Define Poynting vector. Prove that  $\vec{S} = (\vec{E} \times \vec{B}) / \mu_0$ , where the symbols have their usual meanings.
16. Discuss the significance of the wave function and deduce the time independent Schrodinger's wave equation.

\*\*\*



2072 Chaitra

Exam.	Regular	
	Level	BE
Programme	BEL, BEX, BCT BAME, BIE, B Agri.	Pass Marks 32
Year / Part	I / I	Time 3 hrs.

*Subject: - Engineering Physics (SH402)*

- ✓ Candidates are required to give their answers in their own words as far as practicable.
- ✓ Attempt All questions.
- ✓ All questions carry equal marks.
- ✓ Assume suitable data if necessary.

1. Differentiate between bar pendulum and torsional pendulum. Prove that there exists four collinear points in bar pendulum.

OR

Prove that LC circuit is an analogy of simple harmonic motion and hence prove that maximum energy stored in electric field is equal to maximum energy stored in magnetic field.

2. In simple harmonic motion, when the displacement is one-half the amplitude, what fraction of the total energy is KE and what fraction is PE? At what displacement is the energy half KE and half PE?
3. A source of sound has a frequency of 256 Hz and amplitude of 0.50 cm, calculate the energy flow across a square cm per sec. The velocity of sound in air is 330 m/s and density of air is  $1.29 \text{ kg/m}^3$ .
4. Prove that interference in thin film of reflected and transmitted light are complementary to each other.

OR

What is diffraction of light? Discuss the intensity distribution with special reference to diffraction of light in a single slit.

5. Two thin converging lenses of focal lengths 30 cm and 40 cm respectively are placed coaxially in air separated by a distance of 20 cm. An object is placed 40 cm in front of the first lens. Find the position and nature of the image.
6. A 200 mm long tube and containing  $48 \text{ cm}^3$  of sugar solution produces an optical rotation of  $11^\circ$  when placed in a saccharimeter. If the specific rotation of sugar solution is  $66^\circ$ , calculate the quantity of sugar contained in the tube in the form of a solution.
7. In a Newton's ring experiment the diameter of the  $10^{\text{th}}$  ring changes from 1.40 cm to 1.27 cm when a liquid is introduced between the lens and the plate. Calculate the refractive index of the liquid.
8. What is an optical fiber? Show that Numerical aperture of an optical fiber is given by the expression,  $NA = \mu \sqrt{2\Delta}$ , where the symbols carry their usual meanings.
9. Determine the electric field at a distance  $z$  on the central axis from the center of a charged ring. Also, find the maximum value of electric field.

OR

Calculate the potential at any point due to an electric dipole. Also, find the potential on the axial line.

10. Over certain region of space the electric potential is  $v = 15x - 3x^2y + 12yz^2$ . Find the expression for the x, y and z components of the electric field over this region. What is the magnitude of the field at the point P that has coordinates (1, 0, -2) m?
11. Write the general methods to calculate the capacitance of a capacitor and hence determine the capacitance of a cylindrical capacitor of inner and outer radii 'a' and 'b' respectively.
12. Calculate the drift speed of electrons when 20 A current is supplied through a copper wire of cross-sectional area  $1 \text{ mm}^2$  and electron density  $10^{28} \text{ m}^{-3}$ .
13. Determine the energy stored in an inductor. Hence, prove that the energy density in magnetic field is directly proportional to square of magnetic field.

**OR**

Obtain an expression for magnetic field intensity due to a circular coil carrying current at its axial point

14. A copper strip 3.0 cm wide and 2.0 mm thick is placed in a magnetic field 1.75T. If a current of 150 A is setup in the strip, calculate (i) Hall voltage and (ii) Hall mobility if the number of electrons per unit volume is  $8.4 \times 10^{28} \text{ m}^{-3}$  and resistivity is  $1.72 \times 10^{-8} \text{ ohm-m}$ .
15. Define poynting vector. Prove that  $\vec{S} = \frac{1}{\mu} (\vec{E} \times \vec{B})$
16. A beam of electrons having energy of 3eV is incident on a potential barrier of height 4 eV. If the width of the barrier is  $20 \text{ \AA}$ , calculate the percentage transmission of the beam through the barrier.

\*\*\*

Exam.	New Back (2066 & Later Batch)		
Level	BE	Full Marks	80
Programme	BEL, BEX, BCT, BIE, B.Agric.	Pass Marks	32
Year / Part	I / I	Time	3 hrs.

**Subject: - Engineering Physics (SH402)**

- ✓ Candidates are required to give their answers in their own words as far as practicable.
- ✓ Attempt All questions.
- ✓ All questions carry equal marks.
- ✓ Assume suitable data if necessary.

1. Differentiate between bar pendulum and torsional pendulum. Using a torsional pendulum, derive a relation for modulus of rigidity of the metallic wire.

OR

Compare the damped and forced LCR oscillation. Derive the differential equation of forced em-oscillation and compare it with driven mechanical oscillation

2. Show that in a bar pendulum, minimum time period is achieved if radius of gyration is equal to the distance of point of suspension or point of oscillation from center of gravity.
3. Write some features of acoustically good auditorium. Derive Sabine's formula.
4. Two thin converging lenses of focal lengths 3 cm and 4 cm respectively are placed coaxially in air separated by a distance of 2 cm. An object is placed at 4 cm in front of first lens. Locate the positions of the principal points and final image.
5. What is polarization? Derive the relation for plane, elliptical and circular polarized light.

OR

What are the coherent sources of light? How such sources develop in lab? Show that the square of diameters of the  $n^{\text{th}}$  dark ring by the reflected light of Newton's ring is directly proportional to the natural number.

6. Define acceptance angle and numerical aperture. In an optical fiber, show that Numerical Aperture (NA) =  $\mu_{\text{core}} \sqrt{2\Delta}$ , symbols have their usual meanings.
7. In a Fraunhofer Single slit diffraction, a convex lens of focal length 20 cm is placed just after a slit of width 0.6 mm. If a plane wave of wavelength  $6000\text{\AA}$  falls on slit normally, calculate the separation between the second minima on either side of central maximum.
8. Calculate the minimum no of lines per cm in a 2.5 cm wide grating which will just resolve the sodium lines  $5890\text{\AA}$  and  $5896\text{\AA}$  in second order spectrum.
9. A thin ring made of plastic of radius R is uniformly charged with linear charge density  $\lambda$ . Calculate the electric field intensity at any point at an axial distance y from the center. If electron is constrained to be in axial line of the same ring, show that the motion of electron is SHM.

OR

Discuss the behavior of dielectrics in a parallel plate capacitor. Based on Gauss law of electrostatic in dielectric, show that  $\vec{D} = \epsilon_0 \vec{E} + \vec{P}$ , where symbols have their usual meaning.

10. The potential in a region between  $x = 0\text{m}$  and  $x = 6\text{m}$  is  $V = a + bx^2$  where  $a = 10$  and  $b = -7\text{V/m}$ . Determine (i) the potentials at  $x = 0\text{m}$ ,  $3\text{m}$  and  $6\text{m}$  and (ii) the magnitude and direction of electric fields at  $x = 0\text{m}$ ,  $3\text{m}$  and  $6\text{m}$ .
11. What are the current density and mobility? Explain the atomic view of the resistivity and show that  $\rho = \{m/ne^2\tau\}$ , where symbols have their usual meanings.
12. Give general method of calculating capacitance of a capacitor. Use the method to calculate the capacitance of a spherical capacitor.
13. A toroid has number of turns 1250, internal radius 52 mm, external radius 95 mm and thickness of the ring 13 mm, calculate the inductance.

*OR*

- A solenoid having an inductance of  $6.3 \mu\text{H}$  is connected in series with a  $1.2 \text{k}\Omega$  resistance. If a  $14 \text{V}$  battery is connected across the pair, how long will it take for the current through the resistor to reach 80% of its final value?
14. Explain Hall effect. What results you can draw from Hall experiment? Obtain an expression for the Hall voltage in a current carrying specimen placed in a magnetic field.
  15. State Maxwell equation in integral form. Convert them into differential form. Explain each of these equations.
  16. A free particle is confined in a box of width  $L$ . Using Schrodinger wave equation find an expression for energy eigen value.

\*\*\*

Exam.	Regular		
Level	BE	Full Marks	80
Programme	BEL, BEX, BCT, BIE, B. Agri.	Pass Marks	32
Year / Part	I / I	Time	3 hrs.

**Subject: - Engineering Physics (SH402)**

- ✓ Candidates are required to give their answers in their own words as far as practicable.
- ✓ Attempt All questions.
- ✓ All questions carry equal marks.
- ✓ Assume suitable data if necessary.

1. What is torsional pendulum? Derive the expression for the time period of oscillation for this pendulum.

**OR**

Prove that LC circuit is an analog of simple harmonic motion and hence show that maximum energy in capacitor is equal to maximum energy in inductor.

2. If the relaxation time of a damped harmonic oscillator is 60 sec, find the time for which (a) the amplitude falls to  $1/e$  times the initial value and (b) energy falls to  $1/e^2$  times the initial value.
3. The volume of a small hall in BICC is  $900\text{m}^3$ . The wall area of the hall is  $150\text{m}^2$ , ceiling area  $90\text{m}^2$  and floor area is  $95\text{m}^2$ . The sound absorption coefficient for wall is 0.04, for ceiling is 0.04 and for the floor is 0.08. Calculate the average sound absorption coefficient and reverberation time.
4. What are Newton's rings? How are they different from Haidinger fringes? Derive an expression for the diameter of bright rings in transmitted light. How can you obtain central fringe dark in this system?

**OR**

Explain the dispersive electric field power and resolving power of a diffraction grating. Derive their expressions and relate them.

5. What is the principle of double refraction? Establish the relation for the production of linearly, elliptically and circularly polarized light.
6. What is stimulated emission? Explain with a suitable energy level diagram, how He-Ne laser works.
7. Two thin lenses of focal length  $f_1$ , and  $f_2$  separated by a distance 'x' have an equivalent focal length 30 cm and both lenses are of same material. The combination satisfies the condition of achromatism and minimum spherical aberration. Find the values of  $f_1$  and  $f_2$ .
8. Two glass plates enclosing a wedge-shaped air film touching at one edge are separated by wire of 0.03mm diameter at a distance of 15cm from the edge. Monochromatic light of wavelength 600 nm from a broad source falls normally on the film. Calculate the fringe width.
9. Define electric dipole. Determine the electric potential at any point at a distance r from the center of the dipole.

**OR**

Find the expression for the electric field due to a ring of charge of radius "a" at a distance "x" from the center of the charged ring.

10. Two fixed charges  $1.07 \mu\text{C}$  and  $-3.28 \mu\text{C}$  are  $61.8\text{cm}$  apart, where may a third charge be located so that no net force acts on it?
11. Give general method of calculating capacitance of a capacitor. Use the method to calculate the capacitance of a cylindrical capacitor.
12. Calculate the drift speed of electrons when  $10\text{ A}$  current is supplied through a copper wire of cross sectional area  $1\text{ mm}^2$  and electron density  $8.5 \times 10^{28}\text{ m}^{-3}$ .
13. State Biot-Savart law. Derive an expression for the magnetic flux density at a distance " $x$ " on the axis of circular coil of radius " $a$ " carrying current  $I$ .

*OR*

Derive an expression for rise and fall of current in LR circuit. Hence explain the inductive time constant of this circuit.

14. A particular cyclotron is designed with Dees of radius  $R = 75\text{cm}$  and with magnets that can provide a field of  $1.5\text{T}$ . (a) To what frequency should the oscillator be set if deuterons are to be accelerated? (b) What is the maximum energy of deuterons that can be obtained?  
(Mass of deuterons is  $3.32 \times 10^{-27}\text{kg}$ )

15. What is Poynting vector? Prove that  $\vec{S} = \frac{1}{\mu_0} (\vec{E} \times \vec{B})$ .

16. A football of  $500\text{ gm}$  is confined between two impenetrable walls of Dasharath Rangashala that can be treated as a box of length  $100\text{m}$ . Calculate the minimum speed of the ball.

\*\*\*

Exam.	New Back (2066 & Later Batch)		
Level	BE	Full Marks	80
Programme	BEL, BEX, BCT, BIE, B. Agri.	Pass Marks	32
Year / Part	I / I	Time	3 hrs.

**Subject: - Engineering Physics (SH402)**

- ✓ Candidates are required to give their answers in their own words as far as practicable.
- ✓ Attempt All questions.
- ✓ All questions carry equal marks.
- ✓ Assume suitable data if necessary.

1. Derive a relation to find the moment of inertia of a rigid body about an axis passing through its center of gravity using the torsional pendulum.

OR

What is resonance? Formulate the differential equation of forced electromagnetic oscillation. Then determine the expression for resonant frequency.

2. A string has a linear density of 625 gm/m and is stretched with a tension 50N. A wave, whose frequency and amplitude are 160Hz and 10mm respectively, is travelling along the string. At what average rate is the wave transporting energy along the string?
3. Why is it important to study the reverberation time, before the construction of a Cinema Hall? Derive a relation for reverberation time based on absorption coefficient, volume and surface area of the hall.
4. What happens to the energy when waves perfectly cancel to each other in interference? Derive the relations for thin film interference by reflected light.

OR

Show that the diameters of the Newton's rings when two surfaces of radii  $R_1$  and  $R_2$  are placed in contact are related by the relation  $(1/R_1) + (1/R_2) = (4n\lambda/d^2)_n$ , where  $n$  is the integer number of the fringes.

5. A grating with 250 grooves/mm is used with an incandescent light source. Assume the visible spectrum to range in wavelength from 400 to 700 nm. In how many orders can one see the entire visible spectrum?
6. Define the polarization of light. Write its importance in different optical instruments. Derive the relation for the thickness of quarter wave plate and half wave plate.
7. Two thin converging lenses of focal length 3cm and 4cm respectively are placed coaxially in air and separated by distance of 2cm. An object is placed 4cm in front of the first lens. Find the position of the nature of the image and its lateral magnification.
8. A glass-clad fiber is made with a core glass of refractive index 1.55 and the cladding is doped to give a fractional index difference of  $5.5 \times 10^{-4}$ . Determine (i) Cladding index (ii) the critical internal reflection angle (iii) the external critical acceptance angle and (iv) numerical aperture (NA).
9. A particle of charge  $-q$  and mass  $m$  is placed midway between two equal positive charges  $q_0$  of separation  $d$ . If the negative charge  $-q$  is displaced in perpendicular direction to the line joining them and released. Show that the particle describes a SHM with a period.

$$T = \sqrt{\frac{\epsilon_0 m \pi^3 d^3}{qq_0}}$$

OR

Calculate electric field at any point is axial distance due to a dipole and a quadrapole. What conclusion you can draw from your results.



10. Charges are uniformly distributed throughout the volume of an infinitely large cylinder of radius 'a'. Show that the electric field at a distance 'r' from the cylinder axis  $r < a$  is given by  $E = \frac{\rho r}{2\epsilon_0}$  where  $\rho$  is the volume charge density.
11. A cylindrical capacitor has radii a and b. Show that half the stored electric potential energy lies within a cylinder whose radius is  $r = \sqrt{ab}$ .
12. Explain Hall Effect. Derive a relation for Hall resistance. From this relation explain the meaning of quantization of Hall resistance.
13. The current density in a cylindrical wire of radius  $R = 2$  mm and uniform cross-sectional area is given by  $J = 2 \times 10^5 \text{ Am}^2$ . What is the current through the outer portion of the wire between radial distances  $R/2$  and  $R$ ?
14. Explain the phenomenon of "self-induction". Find an expression for the self-induction of a toroid having N numbers of turns, radius r and carrying current i.

OR

State Ampere's law. Find the expressions for magnetic field outside and inside the long straight wire by using this law.

15. Write down the Maxwell's equations for non-conducting medium. Find the equation of propagation of plane electromagnetic wave for E-field and B-field for such medium. Show that electromagnetic wave travels with velocity less than velocity of light in such medium.
16. Derive Schrodinger time independent wave equation. A particle is moving in one dimensional potential well of infinite height and width 'a'. Find the expression for energy of the particle.

\*\*\*



Exam.	New Back (2066 & Later Batch)		
Level	BE	Full Marks	80
Programme	BEL, BEX, BCT, BIE, B.Agr.	Pass Marks	32
Year / Part	I / I	Time	3 hrs.

*Subject: - Engineering Physics (SH402)*

- ✓ Candidates are required to give their answers in their own words as far as practicable.
- ✓ Attempt All questions.
- ✓ All questions carry equal marks.
- ✓ Assume suitable data if necessary.

1. Derive an expression for the time period of a physical Pendulum and establish the interchangeability of the center of oscillation and suspension
2. Give the necessary theory of forced vibration and deduce the condition for resonance amplitude.

**OR**

Show that the fractional change in frequency of damped oscillation is  $1/8Q^2$  where Q is quality factor.

3. The reverberation time for an empty hall is 1.5 sec. With 500 audiences present in the hall, the reverberation time falls to 1.4 sec. Find the number of persons present in the hall if the reverberation time falls down to 1.312 sec.
4. What is interference? Explain the intensity distribution in interference with mathematical treatment.

**OR**

Show that the intensity of second primary maxima is 1.62% of central maxima in Fraunhofer's single slit diffraction.

5. A beam of plane polarized light is converted into circularly polarized light by passing it through a crystal slice of thickness  $3 \times 10^{-5}$  m. Calculate the difference in the refractive indices of the two rays inside the crystal. Wavelength of light is 600nm.
6. What are active medium population inversion and optical pumping? Give the importance in the study of LASER. Write a method for getting He-Ne LASER.
7. Write the physical meaning of dispersive power and resolving power of plane transmission grating. Show that the product of the total number of ruling and the order of the spectrum gives the resolving power of the plane transmission grating.
8. Two thin identical convex lenses of focal length 8 cm and each are coaxial and 4 cm apart. Find the principal points and the position of object for which image is formed at infinity.
9. What is electric quadrupole? Calculate the electric potential of a linear quadrupole of separation  $2z$  at an axial distance R from its center.

**OR**

A ring radius "R" is carrying a uniformly distributed charge "q". Find an expression for electric field at any point on the axial line. Find the point at which electric field is maximum.

10. A cylindrical resistor of radius 6 mm and length 2.5 cm is made of material that has a resistivity of  $4 \times 10^{-5} \Omega \cdot \text{m}$ . What are (i) The magnitude of the current density and (ii) the potential difference when the energy dissipation rate in the resistor is 2 Watt?
11. A solenoid 2.6 m long and 1.3 cm in diameter carries a current of 9A. The magnetic field inside the solenoid is 20mT. Find the length of the wire forming the solenoid.
12. Compare the methods of Biot and Savart Law and Ampere's Law to calculate magnetic fields due to current carrying conductor. Calculate magnetic field at an axial distance "x" from the center of the circular coil carrying current.
13. In a Hall experiment, a current of 25A is passed through a long foil of silver, which is 0.1 mm thick and 3 m long. Calculate the Hall voltage produces across the width by a flux of  $1.4 \text{ Wb/m}^2$ . If the conduction of silver is  $6.8 \times 10^7 \text{ mho/m}$ , estimate the mobility of the electrons in silver.
14. A parallel plate capacitor with circular plates is charged by current "i" (a) What is the magnitude of  $\int \mathbf{B} \cdot d\mathbf{s}$  in terms of  $\mu_0$  and i between the plates if  $r = (a/5)$  from the center? What is the magnitude of induced magnetic field for  $r = (a/5)$  in terms of displacement current?

OR

An inductance  $L$  is connected to a battery of emf  $E$  through a resistance. Show that the potential difference across the inductance after time  $t$  is  $V_L = \epsilon e^{\left(\frac{-R}{L}\right)t}$ . At what time is the potential difference across the inductance equal to that across the resistance such that  $i = \frac{i_0}{2}$ .

15. Write Maxwell equations in integral form. Convert them in differential form. Explain the physical meaning of each equation.
16. Describe the physical significance of the wave function. Derive an expression of time dependent Schrodinger equation.

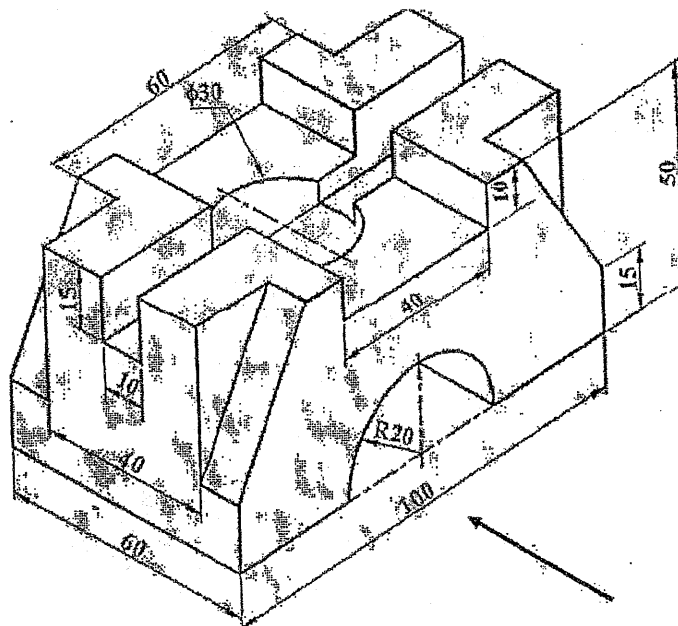
\*\*\*

Exam.	Back		
	Level	BE	Full Marks
Programme	All Except BAR	Pass Marks	16
Year / Part	I / I	Time	3 hrs.

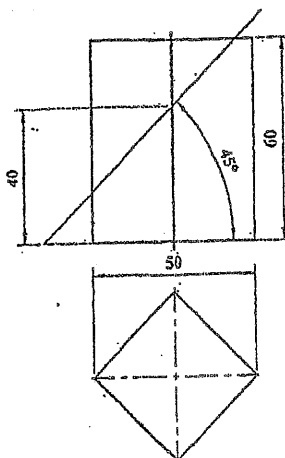
*Subject: - Engineering Drawing I (ME 401)*

- ✓ Candidates are required to give their answers in their own words as far as practicable.
- ✓ Attempt All questions.
- ✓ The figures in the margin indicate Full Marks.
- ✓ Assume suitable data if necessary.

1. Make a cycloid of a locus of points on the circumference of circle for one complete rotation. When it rolls on a horizontal surface. Assume that the radius of a circle is 30 mm. [4]
2. A circle of 50 mm diameter is held in such a way that it is perpendicular to the HP and inclined to the VP at  $35^\circ$ . Draw its projections when a point on its circumference is nearer to the VP is 30 mm above the HP and 15 mm in front of the VP. [5]
3. Draw orthographic projections with full sectional front view, side view and top view of the pictorial drawing as shown in figure below. [15]

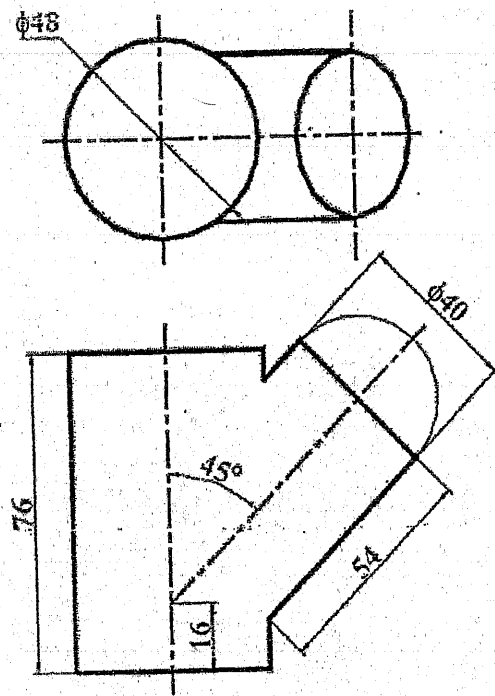


4. Draw three orthographic views of square prism which is cut by a plane as shown in given figure below. Construct complete surface development of the solid. [10]



5. Draw the given views assigned and complete the intersection for figure below.

[6]



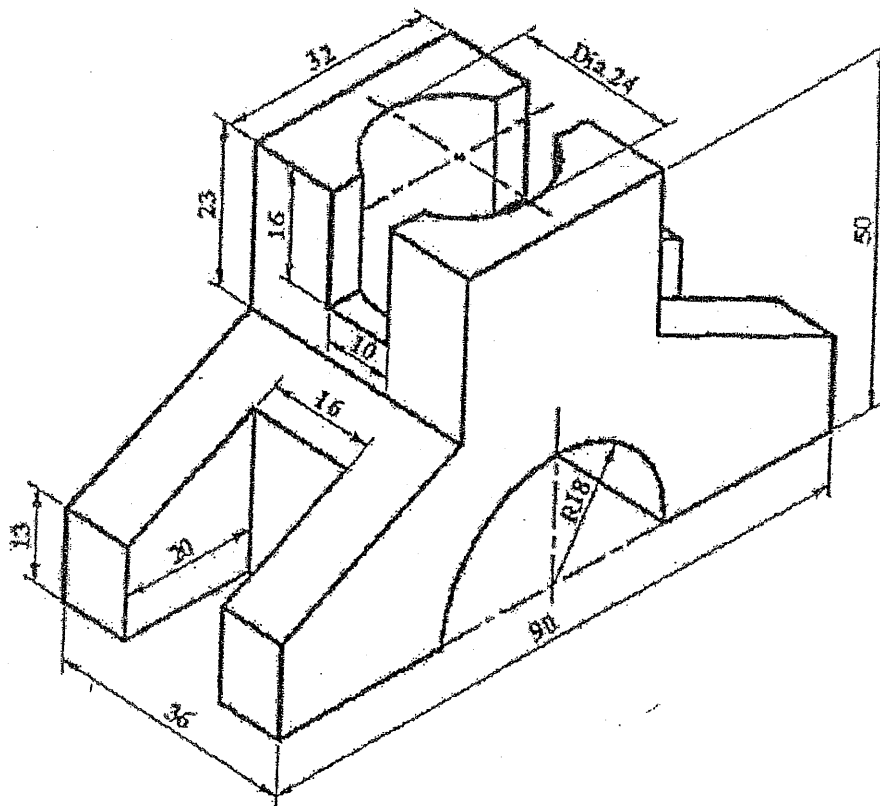
\*\*\*

Exam.	Regular		
Level	BE	Full Marks	40
Programme	All except BAR	Pass Marks	16
Year / Part	I / I	Time	3 hrs.

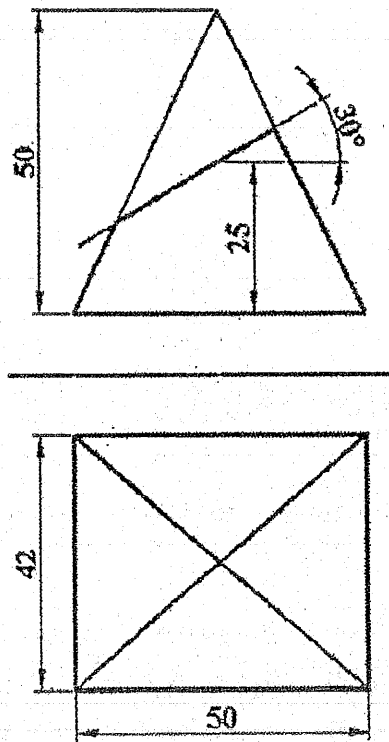
*Subject: - Engineering Drawing I (ME 401)*

- ✓ Candidates are required to give their answers in their own words as far as practicable.
- ✓ Attempt All questions.
- ✓ The figures in the margin indicate Full Marks.
- ✓ Assume suitable data if necessary.

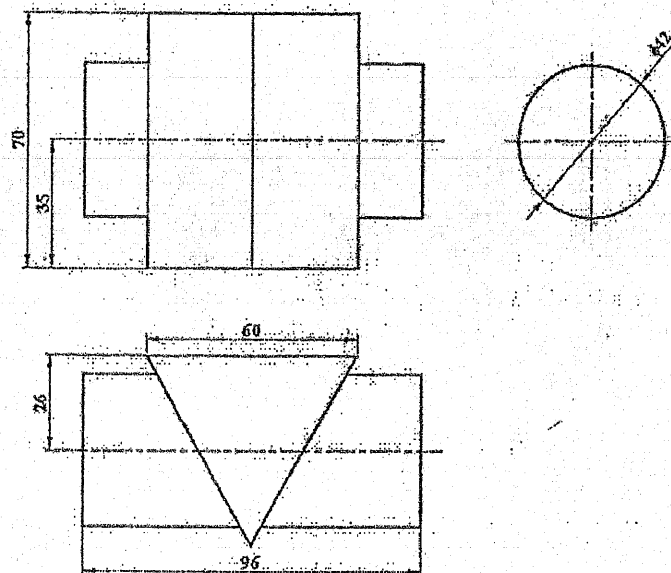
1. Draw a cycloid, one and half revolution of a circle having diameter 45 mm. [4]
2. A pentagonal plane with 30 mm side has an edge on the HP. This plane is perpendicular to the VP and inclined at  $45^\circ$  to the HP. Draw its projection when its corner nearer to the VP is 10 mm in front of it. [5]
3. Draw (a) full sectional front view, (b) top view and (c) side of an object shown in figure below. Also dimension it. [6+4+3+2]



4. Draw a complete orthographic drawing of a geometrical solid cut by planes as shown in figure below. Find the true shape of the section. Then develop the complete surface of the solid. [10]



5. Draw the lines of intersection of the surfaces of geometrical solids in figure below. [6]



\*\*\*

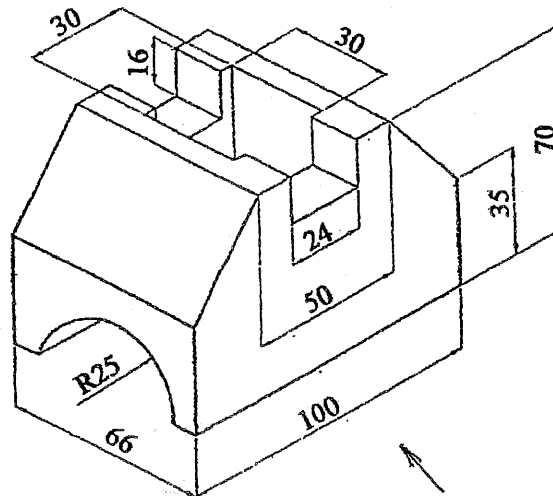
Exam.	Back		
Level	BE	Full Marks	40
Programme	All (Except BAR)	Pass Marks	16
Year / Part	I / I	Time	3 hrs.

*Subject: - Engineering Drawing I (ME 401)*

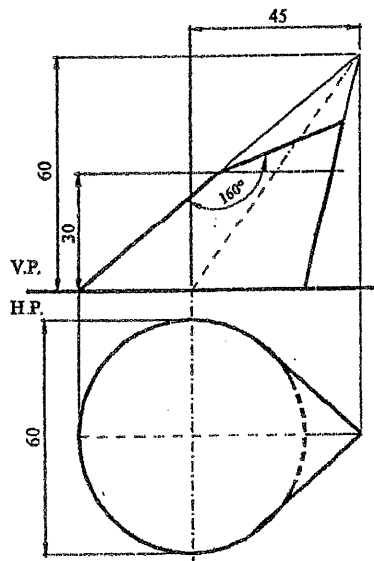
- ✓ Candidates are required to give their answers in their own words as far as practicable.
- ✓ Attempt All questions.
- ✓ The figures in the margin indicate Full Marks.
- ✓ Assume suitable data if necessary.

1. Draw an ellipse with major and minor axes of 80 mm and 60 mm respectively. [4]
2. A line AB has its end A 15 mm above the HP and 10 mm in front of the VP and its end B 40 mm above the HP and 35 mm in front of the VP. The distance between its end projectors is 45 mm. Draw the projections of the line and determine the its true length and inclination with the HP and VP. [5]
3. Draw a complete orthographic projection of an object shown in figure below with a sectional front view. [14]

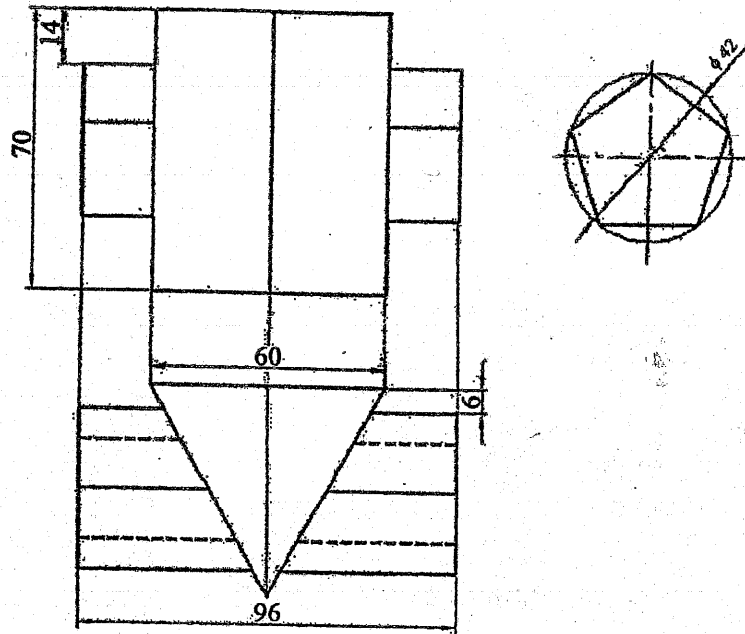
**Through holes**



4. Make a complete top view of orthographic drawing of a solid cut by a plane as shown in the figure below. Find the true shape of the section. Construct the development of whole surfaces of the solid. [12]



5. Draw the lines of intersection of the surfaces of geometrical solids shown in figure below. [5]



\*\*\*



2078/106/10

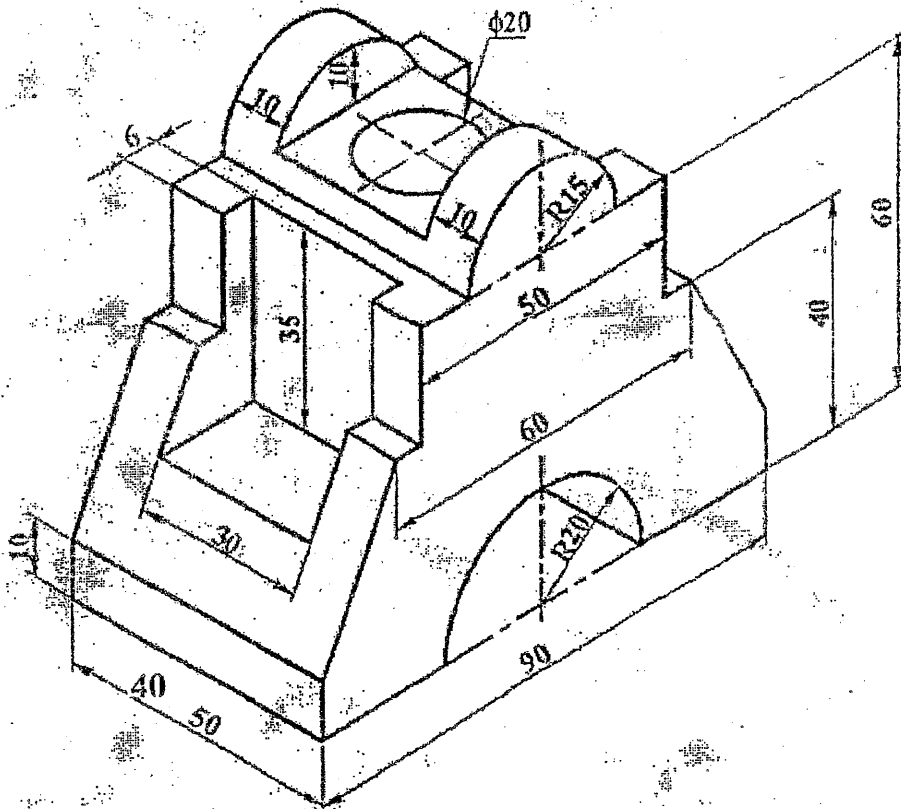
TRIBHUVAN UNIVERSITY  
INSTITUTE OF ENGINEERING  
Examination Control Division  
2078 Bhadra

Exam.	Regular		
Level	BE	Full Marks	40
Programme	ALL	Pass Marks	16
Year / Part	I / I	Time	3 hrs.

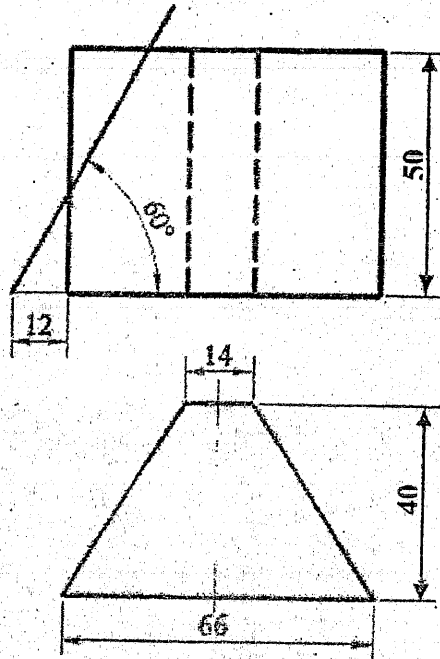
Subject: - Engineering Drawing I (ME 401)

- ✓ Candidates are required to give their answers in their own words as far as practicable.
- ✓ Attempt All questions.
- ✓ The figures in the margin indicate Full Marks.
- ✓ Assume suitable data if necessary.

1. Draw an helix of pitch 60mm and height 90mm on a cylinder of diameter 44mm. [5]
2. A straight line AB 60mm long is inclined to the HP at  $45^\circ$  and its top view makes an angle of  $60^\circ$  with the reference line. Its end A is in the HP and 10 mm in front of the VP. Draw its projections and determine its inclination with the VP. [5]
3. Draw the top view side view and full sectional front view from the given pictorial view in figure given below. Show all the necessary dimensions. [14]

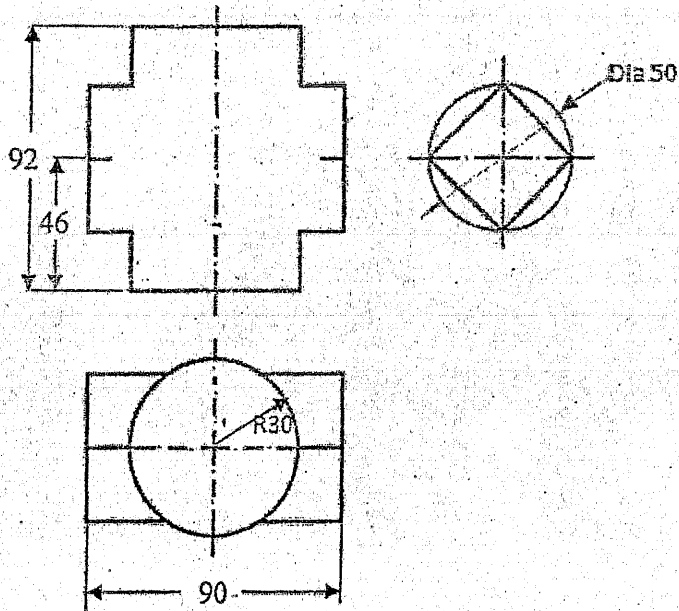


4. Make a complete orthographic drawing of a solid cut by plane as shown in figure below. Find the true shape of the section. Construct the development of surfaces of the solid. [10]



5. Draw a line intersection of the solids given in figure given below.

[6]



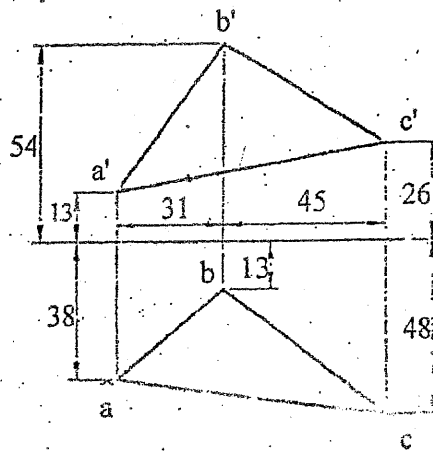
\*\*\*

Exam.	Back		
Level	BE	Full Marks	40
Programme	All Except BAR	Pass Marks	16
Year / Part	I / I	Time	3 hrs.

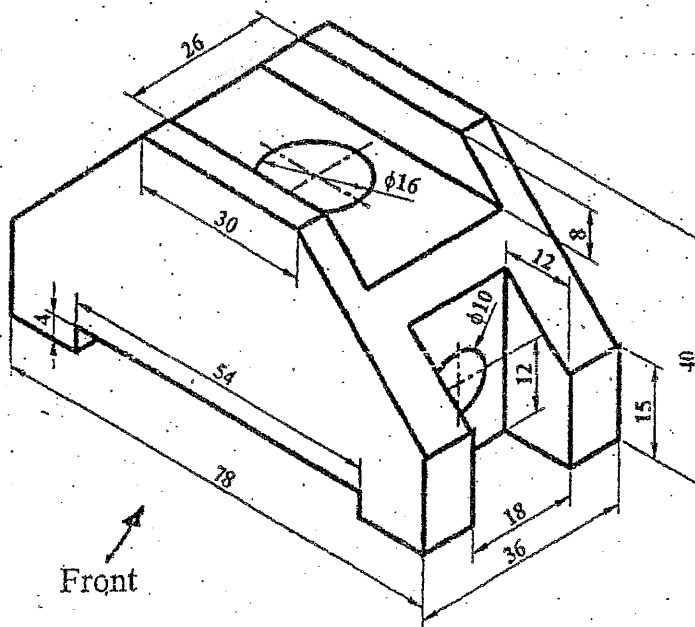
*Subject: - Engineering Drawing I (ME 401)*

- ✓ Candidates are required to give their answers in their own words as far as practicable.
- ✓ Attempt All questions.
- ✓ The figures in the margin indicate Full Marks.
- ✓ Assume suitable data if necessary.

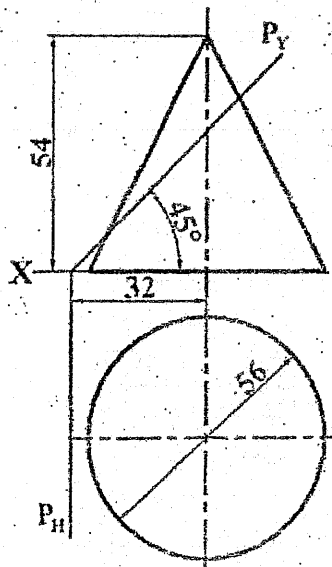
1. Construct a parabola with axis length of 60mm and double ordinate of 40mm. [4]
2. Top and front views of a triangular plane is given in figure below. Draw its true shapes. [5]



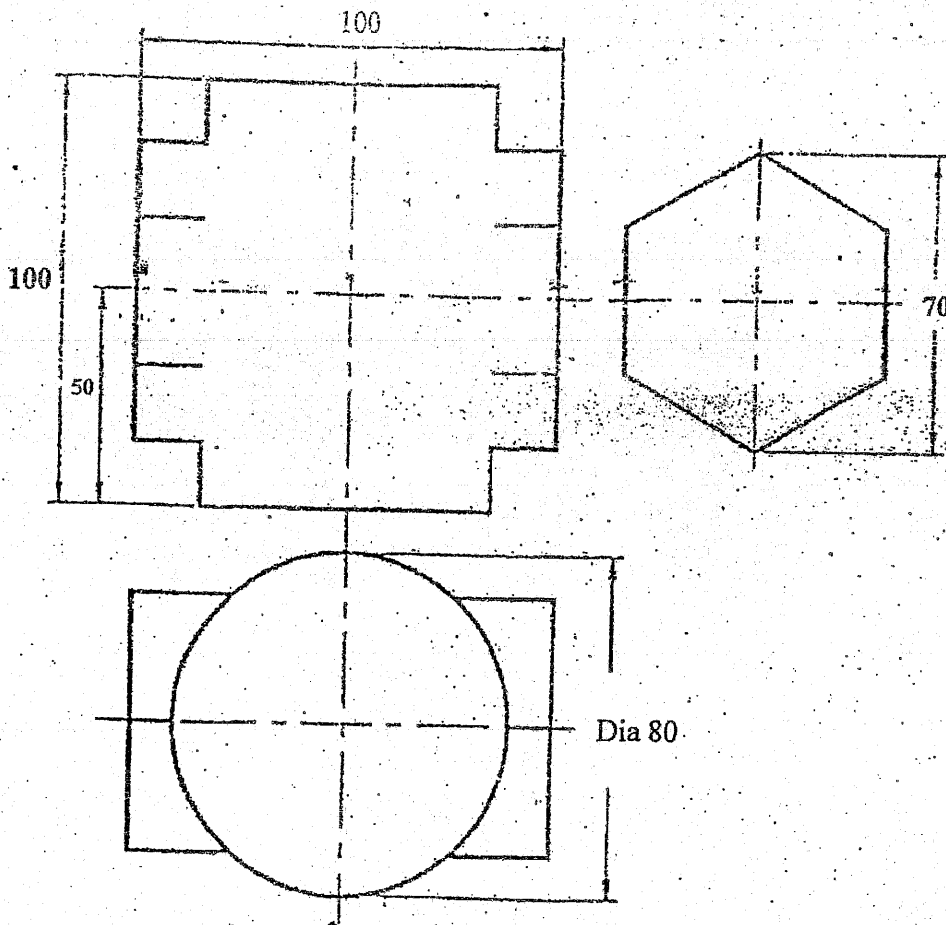
3. Draw orthographic views of the objects shown in figure below with full sectional front view. Assume all holes as through holes. [15]



4. Draw a complete orthographic drawing of the right solids shown in figure below cut by the planes. Find the true shape of the section. Then draw development of the solid. [10]



5. Find the line of intersection of the surfaces of given geometrical solids shown in figure below. [6]



\*\*\*

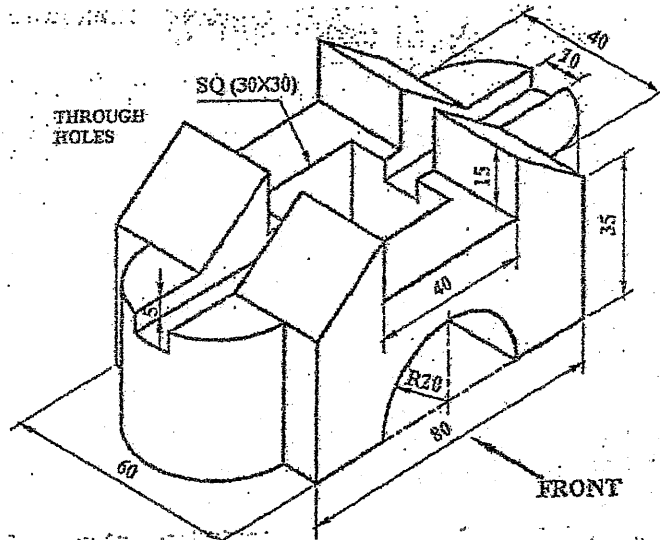
TRIBHUVAN UNIVERSITY  
 INSTITUTE OF ENGINEERING  
**Examination Control Division**  
 2076 Chaitra

Exam.	Regular		
	Level	BE	Full Marks
Programme	All except BAR	Pass Marks	16
Year / Part	I / I	Time	3 hrs.

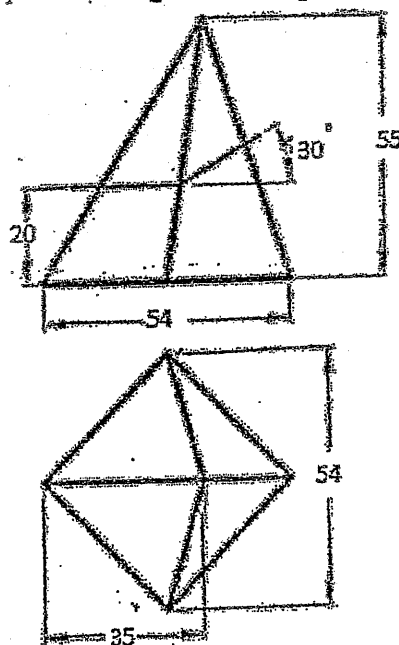
**Subject: - Engineering Drawing I (ME 401)**

- ✓ Candidates are required to give their answers in their own words as far as practicable.
- ✓ Attempt All questions.
- ✓ The figures in the margin indicate Full Marks.
- ✓ Assume suitable data if necessary.

1. Draw a parabola with axis length of 70mm and double ordinate of 90mm. [5]
2. The front view  $p'q'$  of a line PQ 94mm long measures 60mm and its top view  $pq$  is 72mm. Its end Q is 24mm from both the planes. Draw its projections and find inclinations with VP and HP. [5]
3. Draw orthographic projections with full sectional front view, side view and top view of the pictorial drawing as shown in figure below. [14]

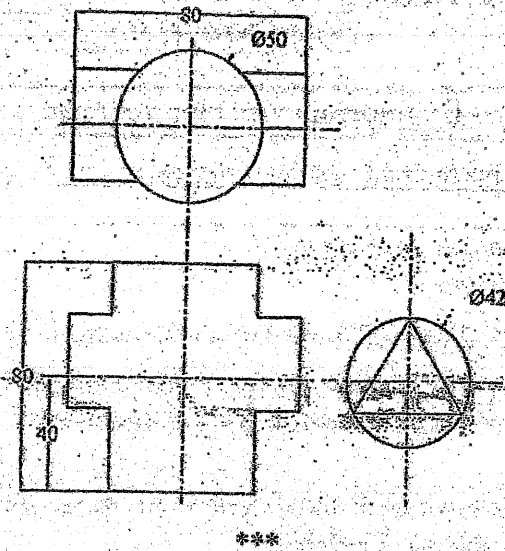


4. Complete the given orthographic drawing and develop its surfaces of figure given below. [10]



5. Draw the intersection curve for vertical cylinder and horizontal triangular prism shown in figure below.

[6]

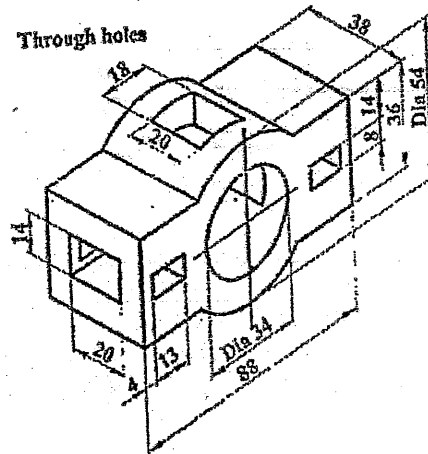


		Back	
Exam.	BE	Full Marks	40
Level	All (Except BAR)	Pass Marks	16
Year / Part	I / I	Time	3 hrs.

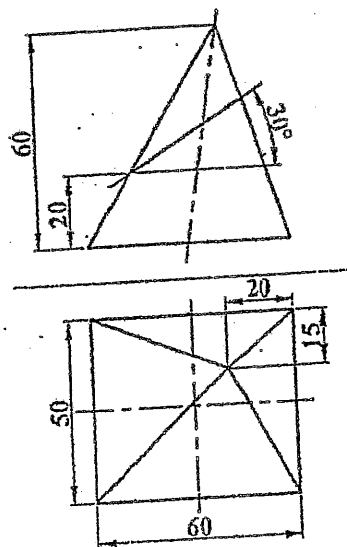
**Subject: - Engineering Drawing I (ME 401)**

- ✓ Candidates are required to give their answers in their own words as far as practicable.
- ✓ Attempt All questions.
- ✓ The figures in the margin indicate Full Marks.
- ✓ Assume suitable data if necessary.

1. Draw an Archimedean Spiral for 1.5 convolutions with pitch equal to 50 mm. [4]
2. A regular hexagon ABCDEF of 25 mm side rests on one of its corner on the HP. Its plane is perpendicular to the VP and inclined to the HP at 30°. Draw its projections when its corner nearer to the VP is 15 mm in front of it. [5]
3. Draw complete Orthographic views with sectional front view of the figure below. [14]

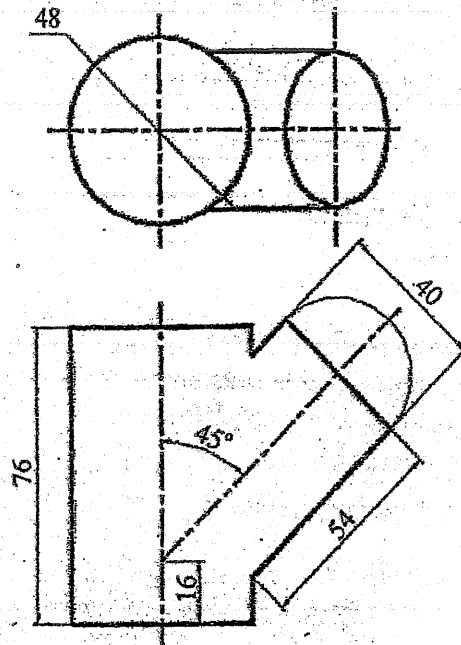


4. Make a complete orthographic drawing of a solid cut by a plane as shown in figure below. Find the true shape of the section. Construct the development of surfaces of the solid. [10]



5. Draw orthographic projection of given geometrical figure by showing curve of intersection.

[7]



\*\*\*

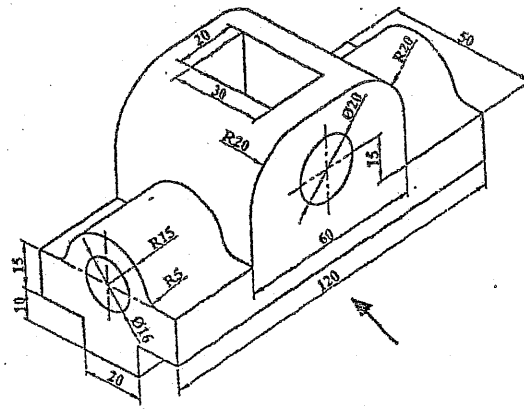


Exam.	Regular/Back		
Level	BE	Full Marks	40
Programme	All (Except BAE)	Pass Marks	16
Year / Part	I / I	Time	3 hrs.

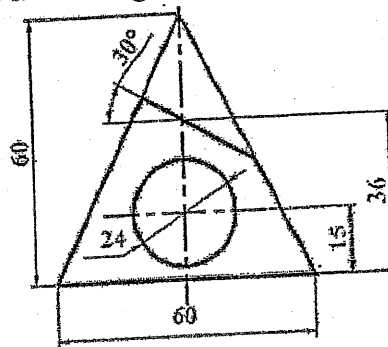
**Subject: - Engineering Drawing I (ME 401)**

- ✓ Candidates are required to give their answers in their own words as far as practicable.
- ✓ Attempt All questions.
- ✓ The figures in the margin indicate Full Marks.
- ✓ Assume suitable data if necessary.

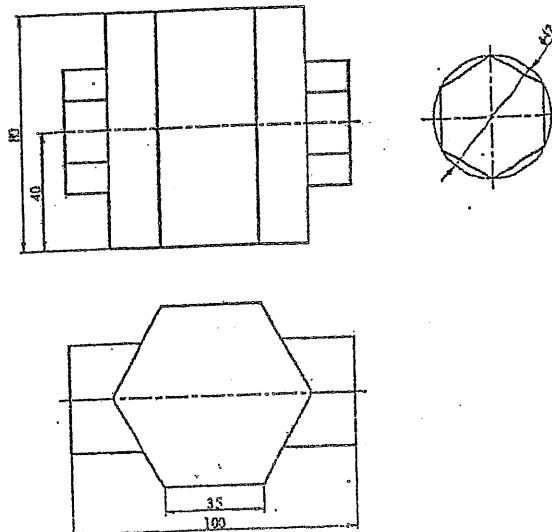
1. Draw an ellipse of Major axis 90 mm and minor axis 66 mm. [4]
2. A regular pentagon ABCDE, of 25 mm side, has its side BC in HP. Its plane is perpendicular to the HP and inclined at 45° to the VP. Draw the projections of the pentagon when its corner nearest to VP is 10 mm from it. [5]
3. Draw orthographic projections with full sectional front view, side view and top view of the pictorial drawing as shown in figure below. [15]



4. A right circular cone is cut as shown in given figure. Develop its lateral surface. [10]



5. Draw the lines of intersection of the surfaces of geometrical solids shown in figure below. [6]



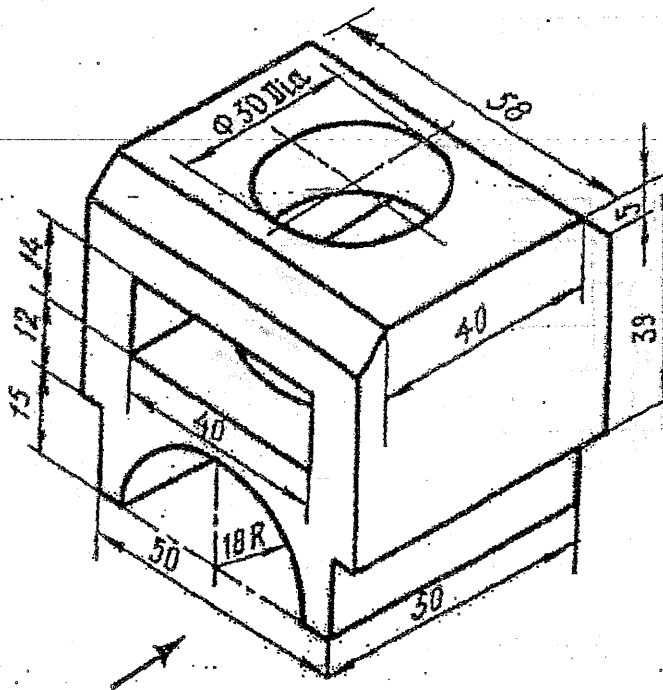


Exam.	Back		
Level	BE	Full Marks	40
Programme	All (Except B. Arch)	Pass Marks	16
Year / Part	I / I	Time	3 hrs.

**Subject: - Engineering Drawing I (ME401)**

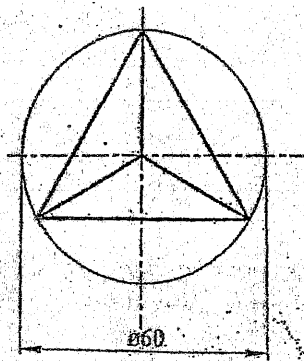
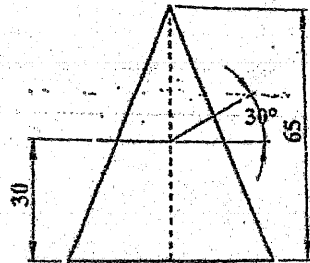
- ✓ Candidates are required to give their answers in their own words as far as practicable.
- ✓ Attempt All questions.
- ✓ The figures in the margin indicate Full Marks.
- ✓ Assume suitable data if necessary.

1. Draw helix having a pitch of 50 mm on a cylinder with the diameter of 40 mm and height of 75 mm. [5]
2. ABC is a triangular plane with side AB = 30 mm and sides BC = CA = 50 mm. Side AB is contained by HP and is perpendicular to VP. Draw its projections when its top view is an equilateral triangle and the nearest point A is 15 mm away from VP. Also find its inclination with the HP. [5]
3. Draw and dimension orthographic projections with full sectional side view, front view and top view of the pictorial drawing as shown in figure below. [14]



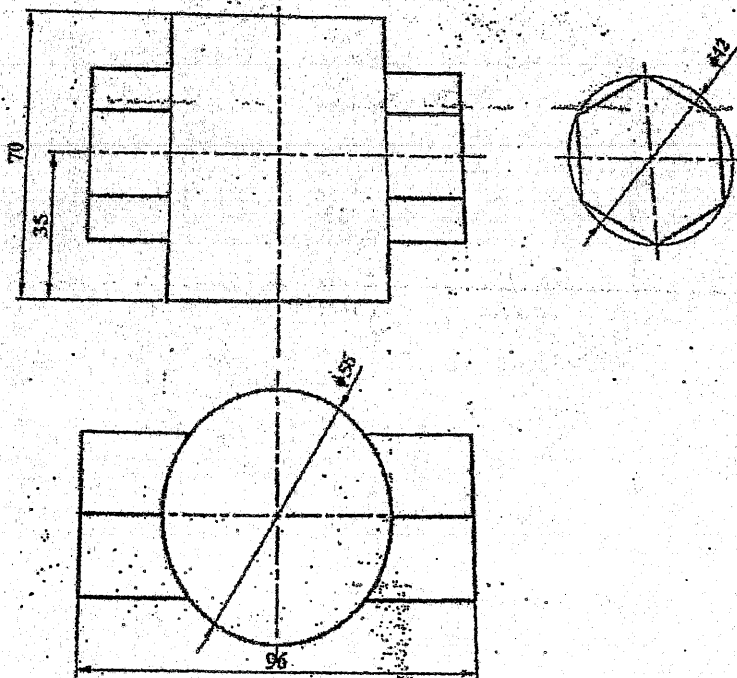
4. Make complete orthographic projections of a solid cut by planes as shown in figure below. Find the true shapes of the sections. Construct the development of all the surfaces of the solid.

[10]



5. Draw the effects of intersection of the surfaces of geometrical solids shown in figure below.

[6]

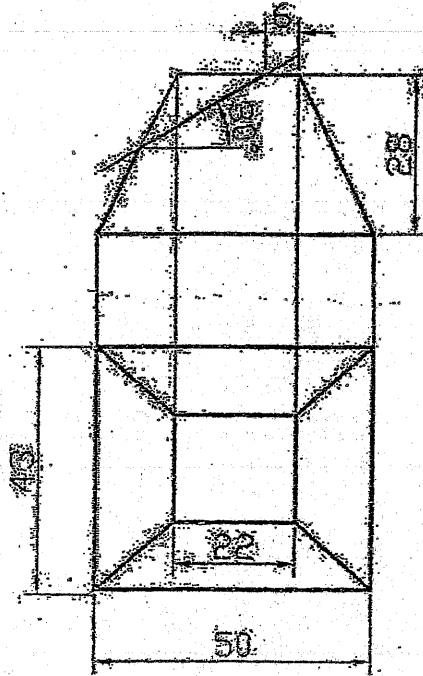


\*\*\*



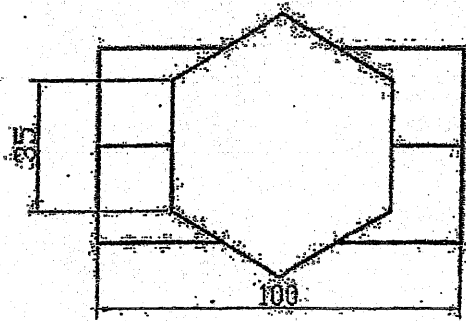
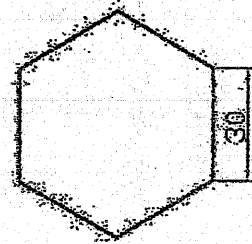
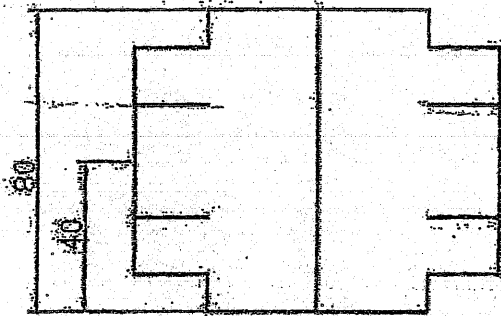
4. Make a complete orthographic drawing of a pyramid cut by a plane as shown in figure below. Find the true shape and construct the surface development of the surface of the solid.

[10]



5. Draw the complete orthographic drawing for the intersection of hexagonal prisms as shown in figure below and complete the intersections.

[6]



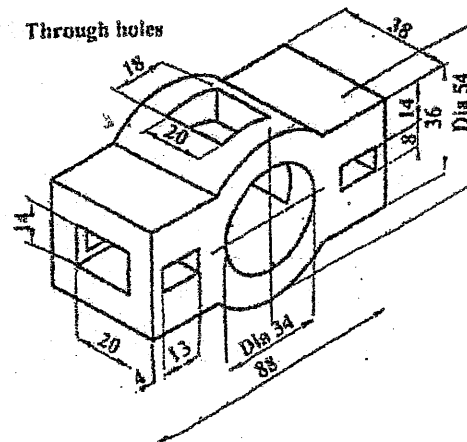
\*\*\*

Exam.	Back		
Level	BE	Full Marks	40
Programme	All (Except B.Arch)	Pass Marks	16
Year / Part	I / I	Time	3 hrs.

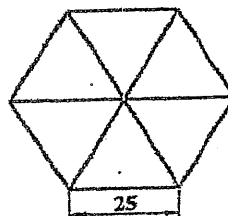
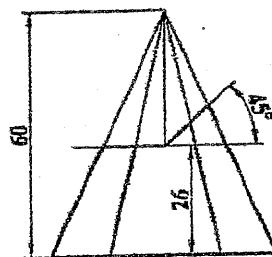
**Subject: - Engineering Drawing I (ME401)**

- ✓ Candidates are required to give their answers in their own words as far as practicable.
- ✓ Attempt All questions.
- ✓ The figures in the margin indicate Full Marks.
- ✓ Assume suitable data if necessary.

1. Draw an involute of an regular square of side 20mm. [3]
2. A straight line AB 80mm long is inclined at  $30^\circ$  to the HP and  $45^\circ$  to the VP. Its midpoint is 30mm above the HP and 35mm in front of VP. Draw its projection. [5]
3. Draw complete Orthographic views with sectional front view of the figure below. [14]

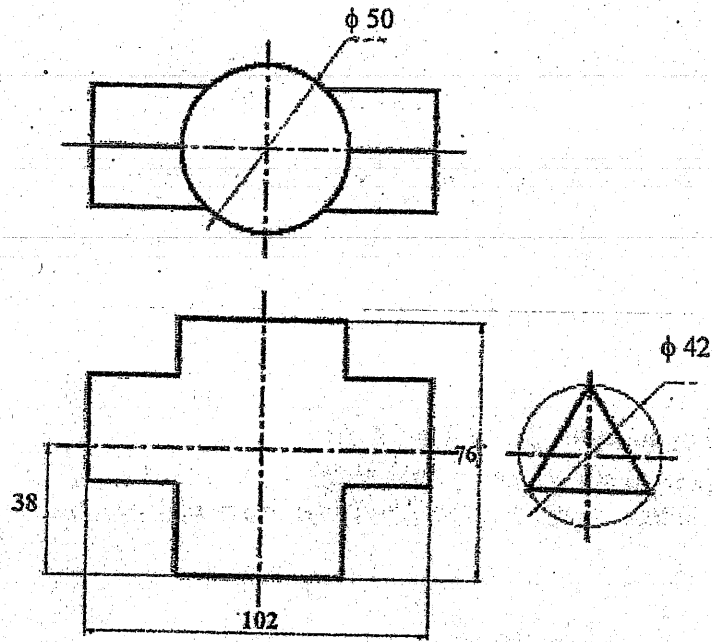


4. Make a complete orthographic drawing of geometrical solid cut by a plane as shown in figure below. Find the true shape of the section. Construct the development of the surfaces of the solid. [12]



5. Draw the line of intersection of the surfaces of the solids shown in figure below.

[6]



\*\*\*

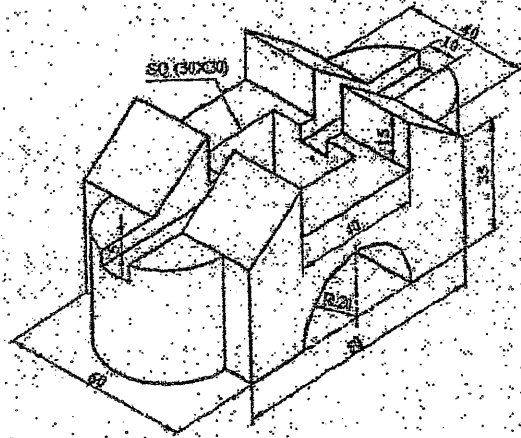


Exam.	Regular		
Level	BE	Full Marks	40
Programme	All (Except B.Arch)	Pass Marks	16
Year / Part	I / I	Time	3 hrs.

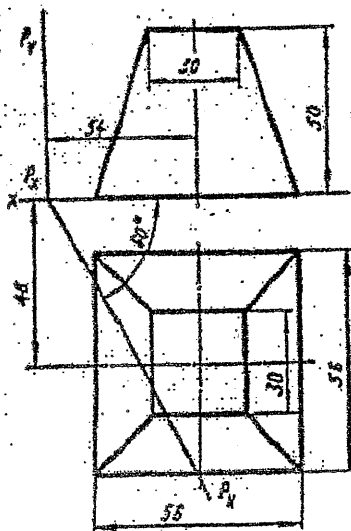
**Subject: - Engineering Drawing I (ME401)**

- ✓ Candidates are required to give their answers in their own words as far as practicable.
- ✓ Attempt All questions.
- ✓ The figures in the margin indicate Full Marks.
- ✓ Assume suitable data if necessary.

1. Construct an ellipse of major axis 120mm and minor axis 80mm. [3]
2. A regular hexagon ABCDEF of 25 mm side rests on one of its corner on the HP. Its plane is perpendicular to the VP and inclined to the HP at 30°. Draw its projections when its corner nearer to the VP is 15 mm in front of it. [5]
3. Draw orthographic projections with full sectional front view, side view and top view of pictorial drawing as shown in figure below. [14]

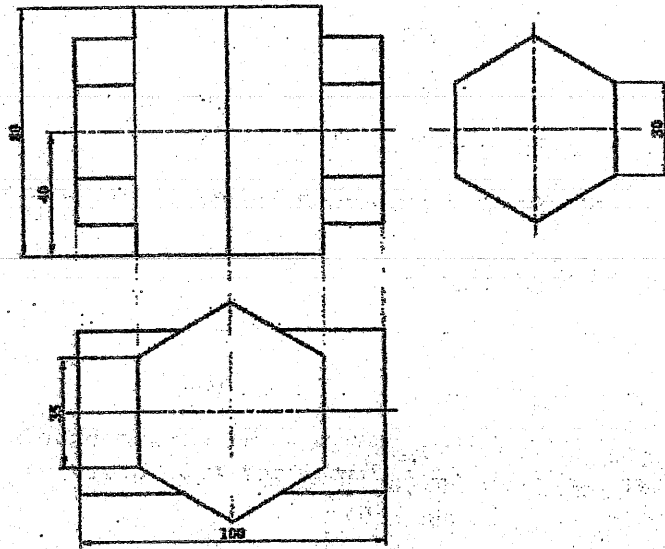


4. Make a complete orthographic drawing of a solid cut by a plane as shown in below figure. Find the true shape of the section. Construct the development of surfaces of the solid. [12]



5. Draw the lines of intersection of the surfaces of geometrical solids in below figure.

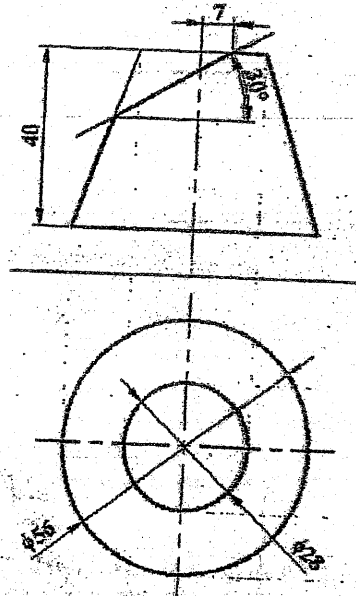
[6]



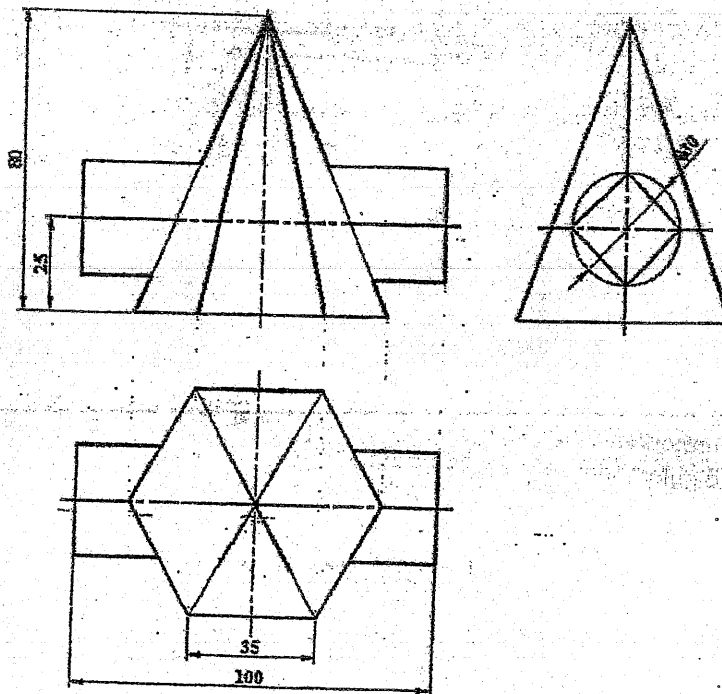
\*\*\*



4. Make a complete orthographic drawing of the solid frustum cone cut by a plane as shown in given figure. Find the true shape of the section and draw the lateral surface development of the lower portion of the solid. [12]



5. Draw the lines of intersection of the surfaces for given orthographic drawing in figure below. [5]



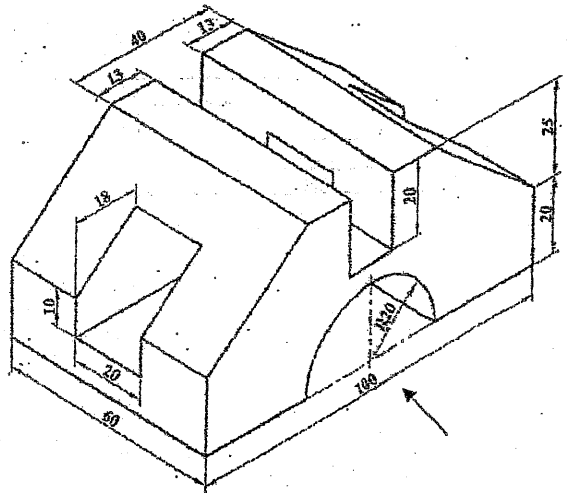
\*\*\*

Exam.	Regular		
Level	BE	Full Marks	40
Programme	All (Except B. Arch)	Pass Marks	16
Year / Part	I / I	Time	3 hrs.

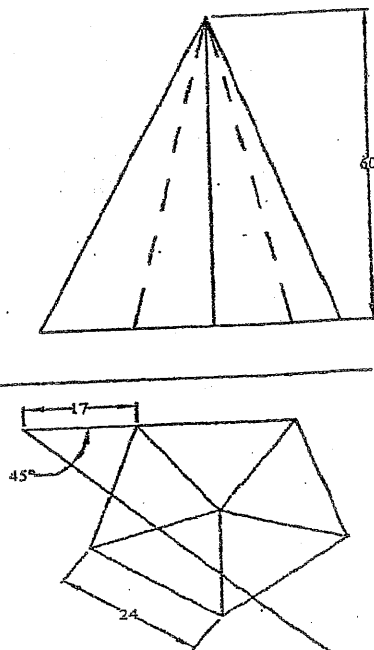
*Subject: - Engineering Drawing I (ME401)*

- ✓ Candidates are required to give their answers in their own words as far as practicable.
- ✓ Attempt All questions.
- ✓ The figures in the margin indicate Full Marks.
- ✓ Assume suitable data if necessary.

1. Draw an involute of the regular hexagon having side length 15 mm. [4]
2. A square lamina ABCD of 30 mm side is perpendicular to VP and inclined to HP at  $45^\circ$ . Its side BC lies in HP. Draw its projection when the nearest side is 15 mm in front of VP. [5]
3. Draw the views of the objectives given in figure below with full sectional front view, full sectional side view and top view. Also dimension the views. [14]

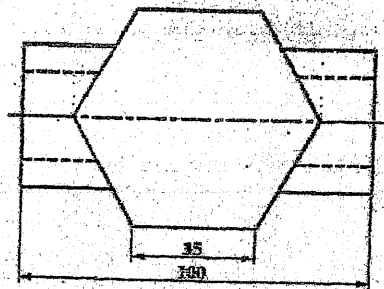
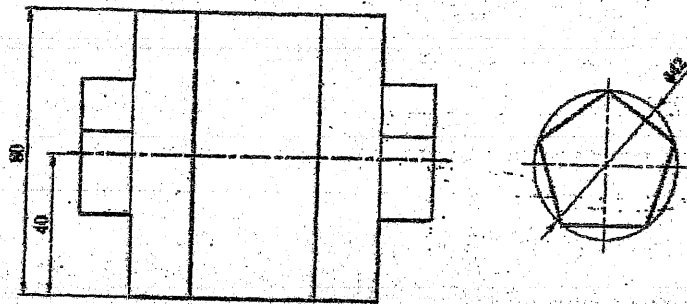


4. Complete orthographic views of the right solids shown in figure below cut by the plane. Find the true shape of the section. Then draw development of surface. [12]



5. Draw the intersection profile of intersecting solid objects in figure below.

[5]



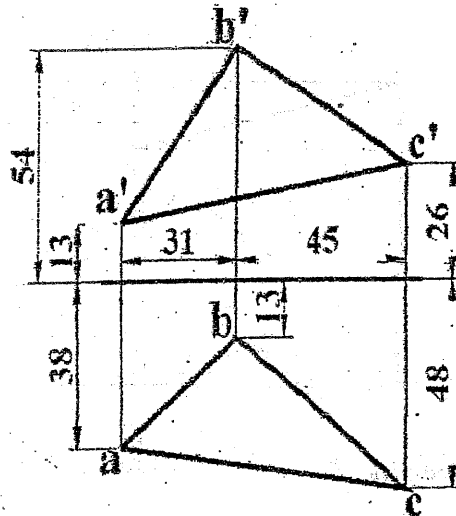
\*\*\*

Exam.	New Back (2066 & Later Batch)		
Level	BE	Full Marks	40
Programme	All (Except B. Arch)	Pass Marks	16
Year / Part	I / I	Time	3 hrs.

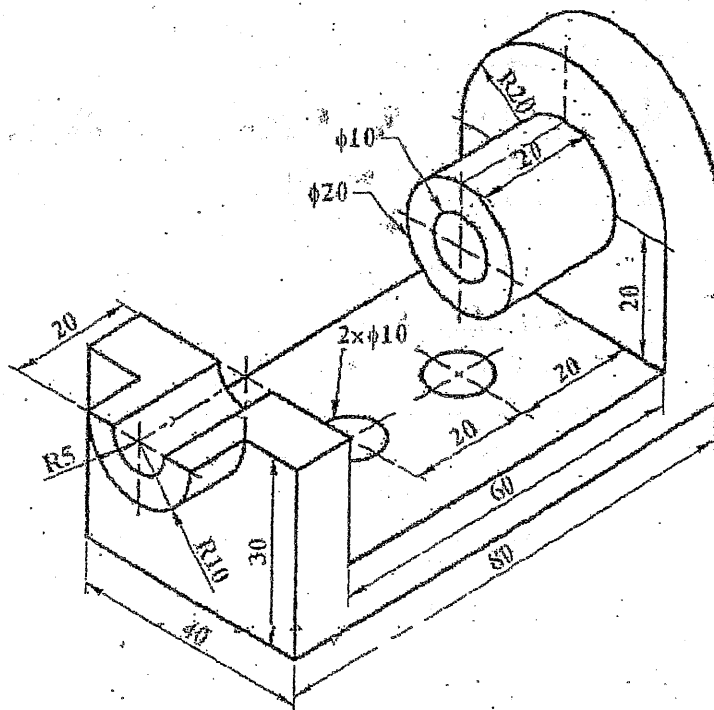
*Subject: - Engineering Drawing I (ME401)*

- ✓ Candidates are required to give their answers in their own words as far as practicable.
- ✓ Attempt All questions.
- ✓ The figures in the margin indicate Full Marks.
- ✓ Assume suitable data if necessary.

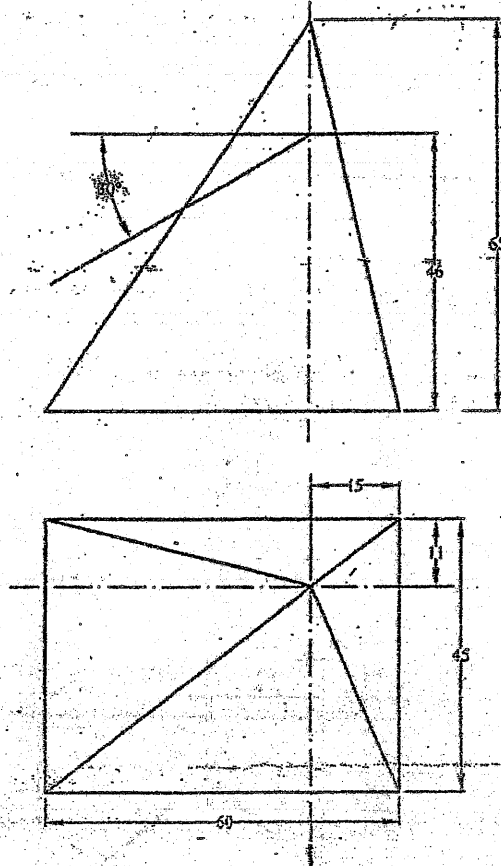
1. Draw two circles with radii 15 mm and 20 mm respectively with their centers lying on a horizontal line and 60 mm apart. Draw an arc tangent of radius 40 mm outside to both the circles. [3]
2. Reproduce the given views of the plane shown in figure below. Determine its true perimeter and true inclination with the HP. [5]



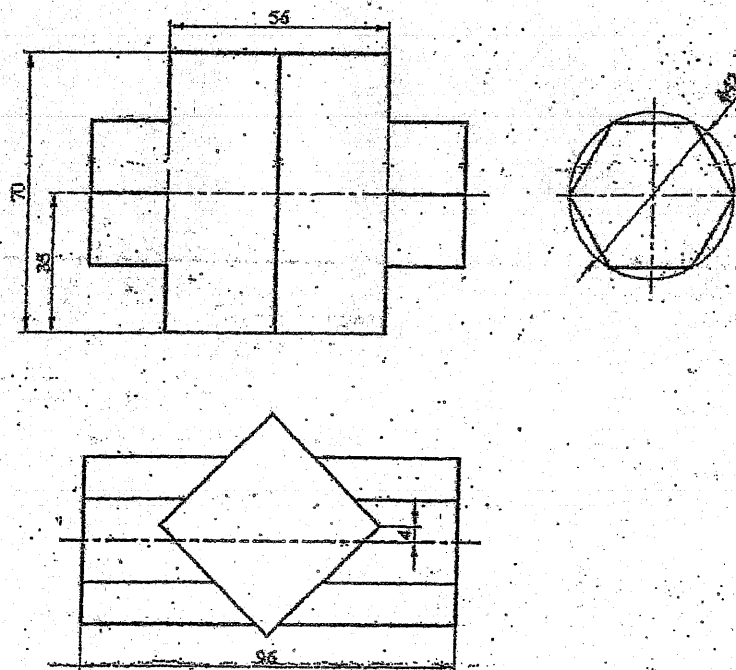
3. Pictorial view of an object is shown in figure below. Draw (with dimension) its (a) sectional front view, (b) side view and (c) top view. [15]



4. Complete the given orthographic views of geometrical solid cut by plane shown in figure below and develop the complete surfaces. [10]



5. Draw the lines of intersection of the surfaces of geometrical solids shown in figure below. [5]



\*\*\*

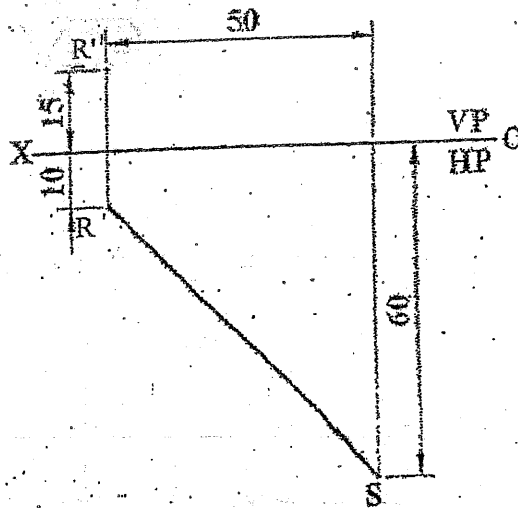


Exam.	Regular		
Level	BE	Full Marks	40
Programme	All (Except B.Arch)	Pass Marks	16
Year / Part	I / I	Time	3 hrs.

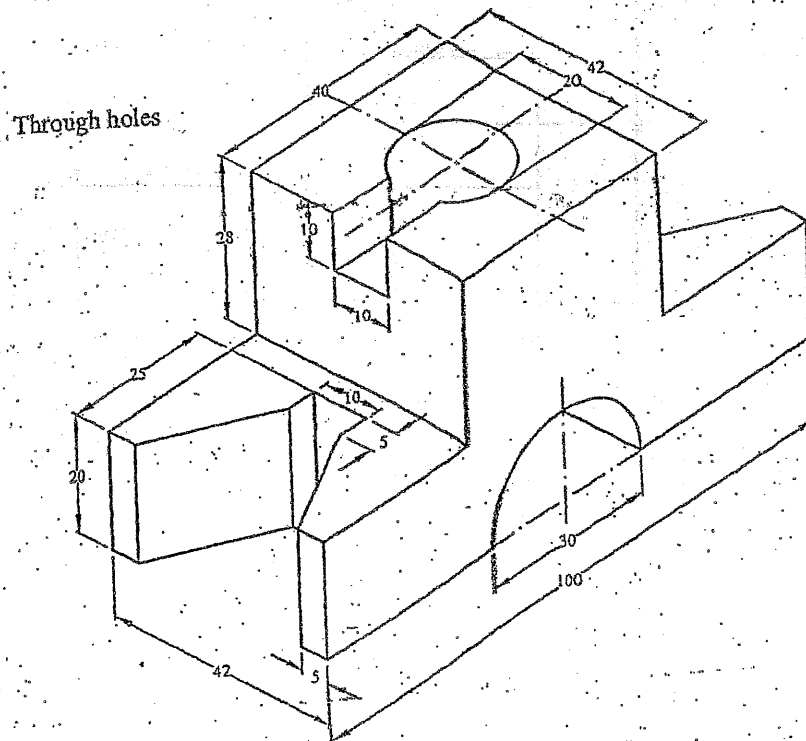
*Subject: - Engineering Drawing I (ME401)*

- ✓ Candidates are required to give their answers in their own words as far as practicable.
- ✓ Attempt All questions.
- ✓ The figures in the margin indicate Full Marks.
- ✓ Assume suitable data if necessary.

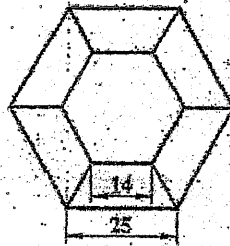
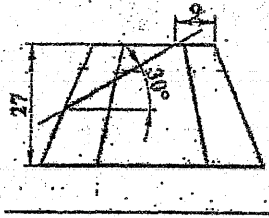
1. Construct an ellipse having a major axis 80 mm and minor axis 60 mm. [3]
2. Top view of a straight line RS and the front view of its end R are shown in figure below. Complete its projection if it is inclined at  $30^\circ$  to the HP. Also determine its true length and true inclination with the VP. [5]



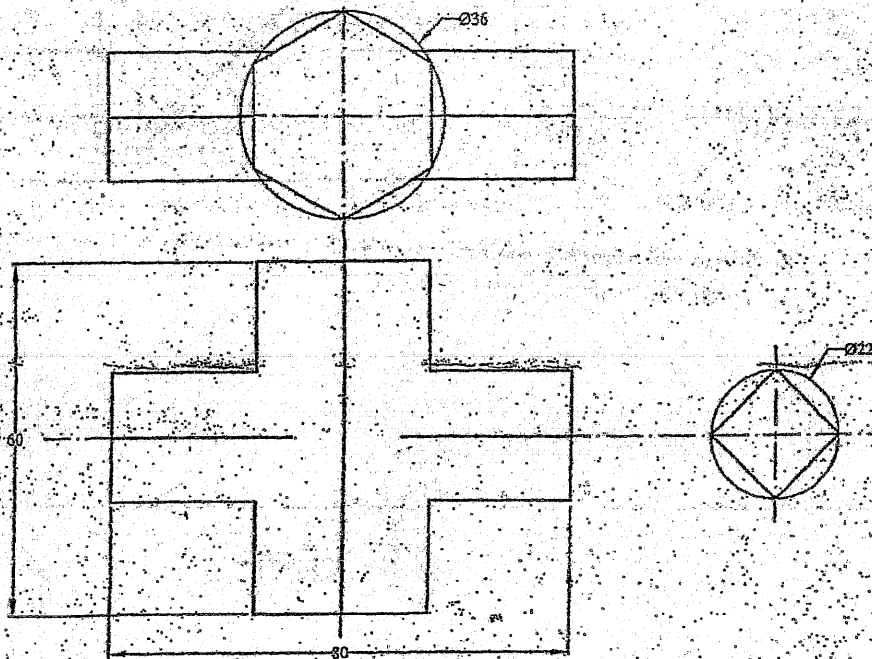
3. Draw orthographic projections with full sectional front view, top view and side view of the given object shown in figure below. [15]



4. Draw a complete orthographic drawing of a solid cut by a plane as shown in figure below. Find the true shape of the section. Then develop the surface of the solid. [12]



5. Draw the given views assigned and complete the intersection for figure below. [5]



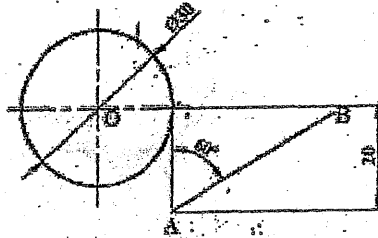
\*\*\*

Exam.	New Back (2066 & Later Batch)		
Level	BE	Full Marks	40
Programme	All (Except B.Arch)	Pass Marks	16
Year / Part	I / I	Time	3 hrs.

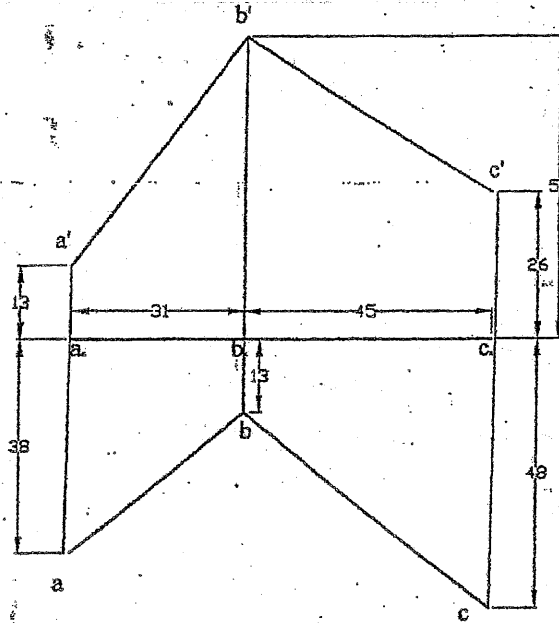
**Subject:** - Engineering Drawing I (ME401)

- ✓ Candidates are required to give their answers in their own words as far as practicable.
- ✓ Attempt All questions.
- ✓ The figures in the margin indicate Full Marks.
- ✓ Assume suitable data if necessary.

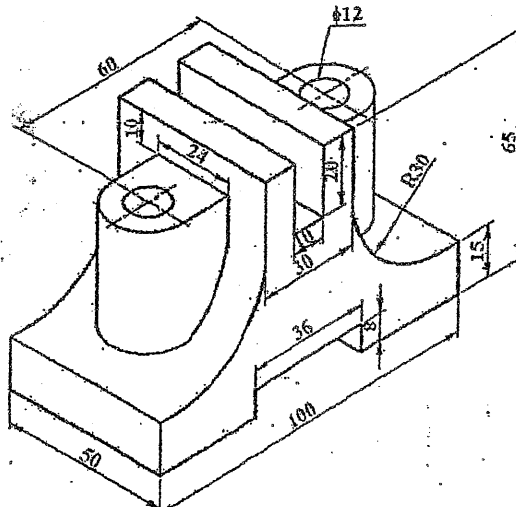
1. Figure below shows a straight line and a circle. Draw an arc of radius 18 mm tangent to both the given line and circle and outside to the given circle. [3]



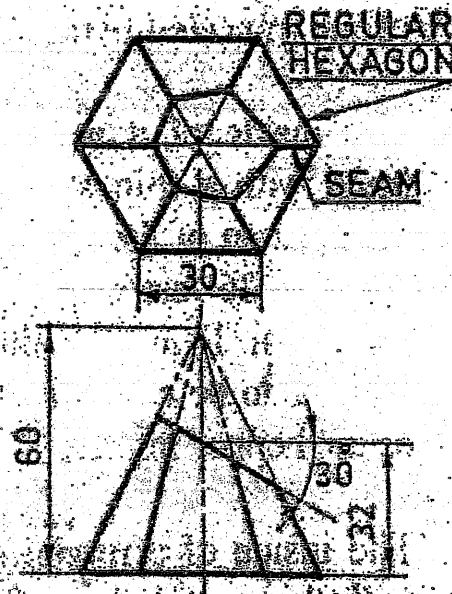
2. Find the true angle between line AB and BC. [5]



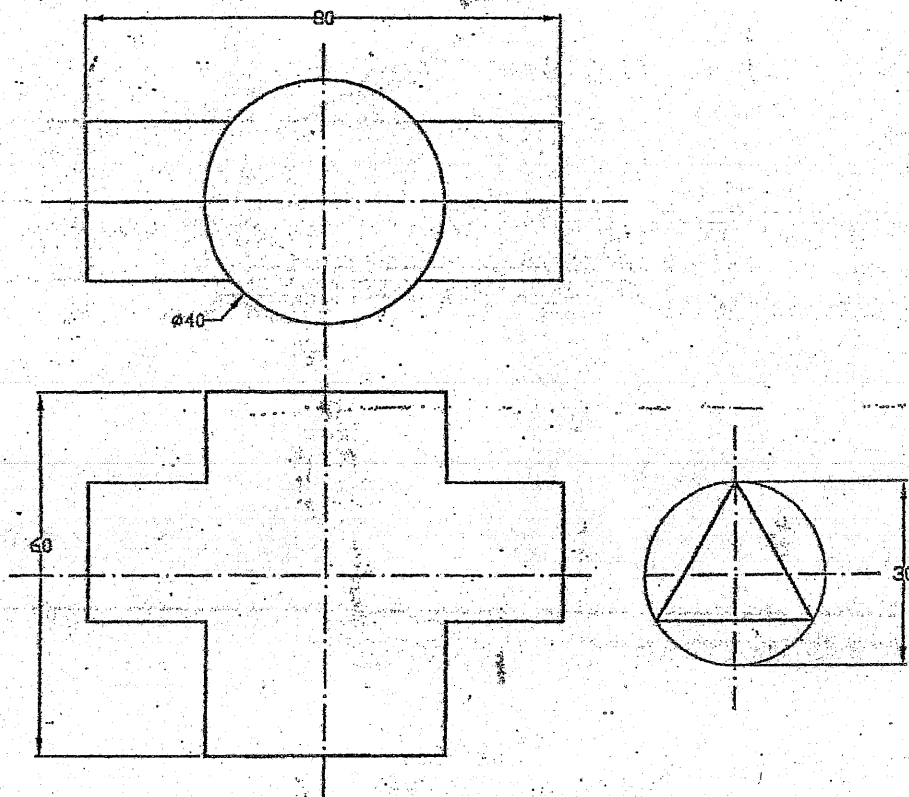
3. Pictorial view of an object is shown in figure below. Draw (with dimension) its (a) sectional front view, (b) sectional side view and (c) top view. [15]



4. Draw a complete orthographic drawing of a solid cut by a plane as shown in figure below. Find the true shape of the section. Then develop lateral surface of the solid. [12]



5. Draw the given views assigned and complete the intersection figure below. [5]



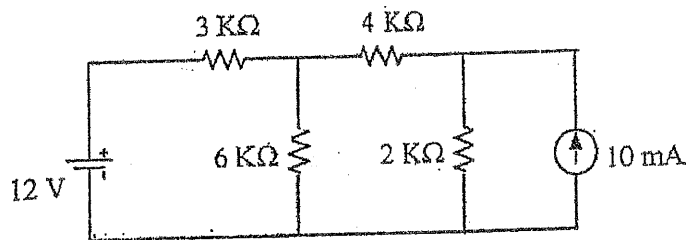
\*\*\*

Exam.	Back		
Level	BE	Full Marks	80
Programme	All Except BCH, BEI, BAR	Pass Marks	32
Year / Part	I / II	Time	3 hrs.

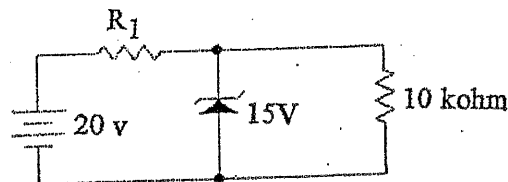
**Subject:** - Basic Electronics Engineering (EX 451)

- ✓ Candidates are required to give their answers in their own words as far as practicable.
- ✓ Attempt All questions.
- ✓ The figures in the margin indicate Full Marks.
- ✓ Assume suitable data if necessary.

1. Determine  $V_{th}$ ,  $R_{th}$  and the current through  $4k\Omega$  resistor using Thevenin's theorem. [4]



2. What do you mean by a filter circuit? Explain the operation of RC high pass filter with its transfer function and frequency response. [1+3]
3. Explain the operation of Full wave Bridge rectifier with necessary diagrams. [4]
4. A Zener with given specification is used for stabilized supply to a variable load as shown in figure below. Given  $P_{max} = 0.6w$ . Calculate: [4]
- Series resistance required.
  - Diode current when  $R_L = 10k$ .



5. How can we use BJT transistor as switch and logic inverter. [2+2]
6. Draw the collector feedback type DC biasing circuit. If  $V_{cc} = 10V$ ,  $R_B = 950k\Omega$ ,  $R_C = 2.2k\Omega$  and  $\beta = 150$ , calculate collector current ( $I_C$ ) and collector emitter voltage ( $V_{CE}$ ). [4]
7. Describe the construction and working principal of N-channel Depletion type MOSFET with the help of family of Drain current characteristics curve. [8]
8. List out ideal characteristics of op-amp. Derive voltage gain of inverting op-amp configuration. [3+3]
9. Describe the working principle of square wave generator circuit using operational amplifier. [5]
10. Derive the expression for gain of negative feedback amplifier. What are the Barkhausen criteria for sinusoidal oscillation? [3+2]
11. What is optical fiber? Explain the advantages of optical communication over copper cable communication. [1+4]
12. Why modulation is needed? Differentiate internet and intranet. [2+3]

13. Perform the following conversions: [2]
- (i)  $(A3C.B)_{16} = (?)_8$
- (ii)  $(211)_x = (152)_8$ . Find the value of x.
14. Prove that NAND is a universal gate. [3]
15. Explain the operation of JK flip flop necessary waveforms. [5]
16. Simplify the expression using K-Map,  $F(A,B,C) = A'B + BC' + AC'$  [6]
17. Write short notes on: (Any Two) [2×3]
- a) Transducer
  - b) Regulated Power Supply
  - c) Digital Multimeter

\*\*\*

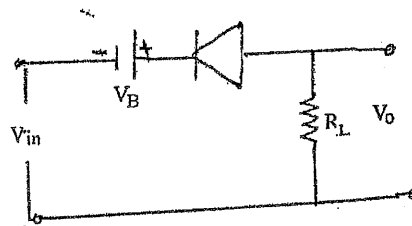
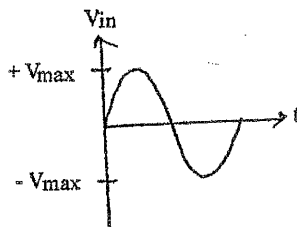
2079 Ashwin

Exam.	Back	
Level	BE	Full Marks 80
Programme	BCE, BEL, BEX, BCT, BME, BAM, BIE, BAG, BGE	Pass Marks 32
Year / Part	I / II	Time 3 hrs.

**Subject:** - Basic Electronics Engineering (EX 451)

- ✓ Candidates are required to give their answers in their own words as far as practicable.
- ✓ Attempt All questions.
- ✓ The figures in the margin indicate Full Marks.
- ✓ Assume suitable data if necessary.

1. Explain dependent and independent signal sources with suitable symbols and examples. [4]
2. Explain the operation of RC High pass filter with necessary circuit diagram and transfer characteristics curve. [4]
3. Find the output waveform of the given input wave. (Assume diode is ideal). [4]



4. Describe the AC model of semiconductor diode and derive the expression for small signal incremental resistance of the diode. [4]
5. If  $V_{cc} = 10V$ ,  $R_B = 900 K\Omega$ ,  $R_C = 2K\Omega$  and  $\beta = 150$ , calculate the collector current  $I_c$  for collector feedback type dc biasing circuit. [5]
6. Explain operation of CMOS NOR with necessary diagram. [5]
7. Explain the operation of BJT as a switch. [6]
8. Design summing amplifier to using Op-Amp to get the output voltage  $V_o = -V_1 + 2V_2 + 3V_3$ . [5]
9. Derive output voltage expression for Op-amp integrator and differentiator. [4+4]
10. Draw the circuit diagram of Triangular wave generator and write its frequency of oscillation. [3]
11. Define modulation. Explain Amplitude Modulation (AM) in brief with necessary waveforms and expressions. [1+4]
12. Illustrate block diagram of digital communication system. [4]
13. Perform the following: [4]
  - a)  $(573.73)_8 = (?)_{16}$
  - b)  $(267.02135)_{10} = (?)_2$
  - c)  $(508)_{10} = (?)_{BCD}$
  - d) Subtract  $(24)_{10}$  from  $(48)_{10}$  using 2's complement method.
14. Simplify Boolean Expression by using K-MAP. Also draw circuit. [6]
 
$$F = A'C + A'B + AB'C + BC$$
15. Construct T flip-flop with its characteristics table and equation. [5]
16. Write short notes on: (Any Two) [2×4]
  - a) Strain gauge
  - b) Regulated power supply
  - c) Digital multimeter

TRIBHUVAN UNIVERSITY  
INSTITUTE OF ENGINEERING  
Examination Control Division

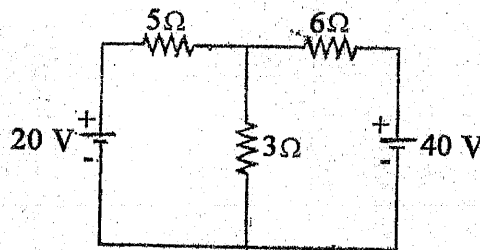
2079 Chaitra

Exam.	Regular	
Level	BE	Full Marks 80
Programme:	BCE, BEL, BEX, BCT, BME, BAM, BIE, BAG, BGE, BAS	Pass Marks 32
Year / Part	I / II	Time 3 hrs.

**Subject: - Basic Electronics Engineering (EX 451)**

- ✓ Candidates are required to give their answers in their own words as far as practicable.
- ✓ Attempt All questions.
- ✓ The figures in the margin indicate Full Marks.
- ✓ Assume suitable data if necessary.

1. Find the current through  $3\Omega$  Resistor using superposition theorem. [4]



2. What is a filter? Explain high-pass filter. [4]
3. What is PN junction diode? Explain the small signal model of the diode with necessary derivations and transfer characteristics. [2+6]
4. Draw emitter-feedback bias circuit of BJT. Find  $I_C$  and  $V_{CE}$  in the circuit if  $V_{CC} = +10V$ ,  $R_B = 400K\Omega$ ,  $R_C = 3K\Omega$ ,  $R_E = 2K\Omega$  and  $\beta = 50$ . [4]
5. Explain BJT as a switch and logic inverter. [4]
6. Explain the operation of N channel depletion type MOSFET with necessary diagram. [8]
7. What is virtual ground concept in an op-amp? Design a circuit using op-amp whose output is as follows:  
 $V_0 = -V_1 + 3V_2 + 5V_3$  [1+3]
8. Design a Wein bridge oscillator that will oscillate at 25KHz. [4]
9. Mention any four characteristics of an ideal op-amp. Derive an expression for output voltage of an integrator circuit using op-amp. [2+4]
10. Explain the working a digital Multimeter with necessary block diagram. [5]
11. Draw the block diagram of optical fiber communication system. What are the advantages of optical fiber communication system? [6]
12. Explain the working of data logger. [5]
13. Perform the following conversions: [2]
  - a)  $(B2C.B)_{16} = (?)_8$
  - b)  $(211)_x = (152)_8$ . Find the value of x.
14. Design X-OR gate using only NAND gates. [4]
15. Explain the operation of SR flip-flop with necessary diagram and truth table. [6]
16. Design a 3 bit up Asynchronous counter and explain its working with necessary waveforms. [6]

\*\*\*



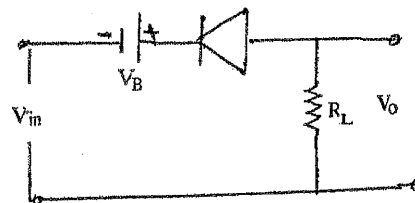
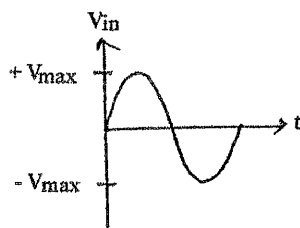
2079 Ashwin

Exam.	Back		
Level	BE	Full Marks	80
Programme	BCE, BEL, BEX, BCT, BME, BAM, BIE, BAG, BGE	Pass Marks	32
Year/ Part	I/ II	Time	3 hrs.

**Subject:** - Basic Electronics Engineering (EX 451)

- ✓ Candidates are required to give their answers in their own words as far as practicable.
- ✓ Attempt All questions.
- ✓ The figures in the margin indicate Full Marks.
- ✓ Assume suitable data if necessary.

1. Explain dependent and independent signal sources with suitable symbols and examples. [4]
2. Explain the operation of RC High pass filter with necessary circuit diagram and transfer characteristics curve. [4]
3. Find the output waveform of the given input wave. (Assume diode is ideal). [4]



4. Describe the AC model of semiconductor diode and derive the expression for small signal incremental resistance of the diode. [4]
5. If  $V_{cc} = 10V$ ,  $R_B = 900 K\Omega$ ,  $R_C = 2K\Omega$  and  $\beta = 150$ , calculate the collector current  $I_c$  for collector feedback type dc biasing circuit. [5]
6. Explain operation of CMOS NOR with necessary diagram. [5]
7. Explain the operation of BJT as a switch. [6]
8. Design summing amplifier to using Op-Amp to get the output voltage  $V_o = -V_1 + 2V_2 + 3V_1$ . [5]
9. Derive output voltage expression for Op-amp integrator and differentiator. [4+4]
10. Draw the circuit diagram of Triangular wave generator and write its frequency of oscillation. [3]
11. Define modulation. Explain Amplitude Modulation (AM) in brief with necessary waveforms and expressions. [1+4]
12. Illustrate block diagram of digital communication system. [4]
13. Perform the following: [4]
  - a)  $(573.73)_8 = (?)_{16}$
  - b)  $(267.02135)_{10} = (?)_2$
  - c)  $(508)_{10} = (?)_{BCD}$
  - d) Subtract  $(24)_{10}$  from  $(48)_{10}$  using 2's complement method.
14. Simplify Boolean Expression by using K-MAP. Also draw circuit. [6]
 
$$F = A'C + A'B + AB'C + BC$$
15. Construct T flip-flop with its characteristics table and equation. [5]
16. Write short notes on: (Any Two) [2×4]
  - a) Strain gauge
  - b) Regulated power supply
  - c) Digital multimeter

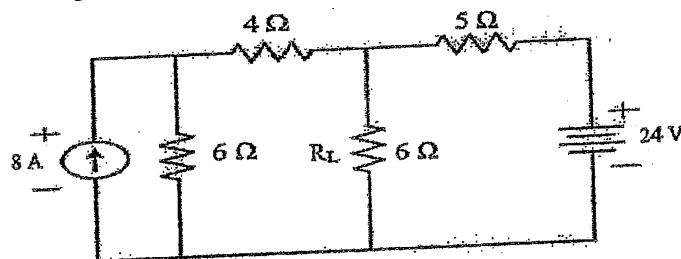


Exam.	Back		
Level	BE	Full Marks	80
Programme	All except BAR	Pass Marks	32
Year / Part	I / II	Time	3 hrs.

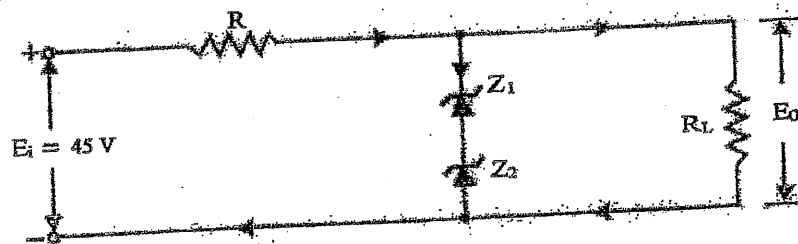
**Subject: - Basic Electronics Engineering (EX 451)**

- ✓ Candidates are required to give their answers in their own words as far as practicable.
- ✓ Attempt All questions.
- ✓ The figures in the margin indicate Full Marks.
- ✓ Assume suitable data if necessary.

1. Thevenise the following circuit and calculate the current flowing through  $R_L$ . [5]



2. Define active and passive components in electronic system. Calculate the value of resistor having color codes YELLOW, VOILET, ORANGE, GOLD. [4]
3. Explain the operation of RC high pass filter with necessary diagram. [4]
4. Explain forward and reverse characteristics of semiconductor diode with diagrams. [5]
5. Explain large signal models of semiconductor diode with necessary diagrams. [5]
6. Explain the operation of full wave center tapped rectifier with necessary diagrams. [5]
7. The circuit of figure below uses two zener doides, each rated at 15 V, 200 mA. If the circuit is connected to a 45-volt unregulated supply, determine: (i) The regulated output voltage (ii) The value of series resistance R. [5]



8. Explain common emitter configuration of NPN transistor with its characteristics with necessary diagrams. [5]
9. Calculate the Q point of the voltage divider biasing circuit where  $V_{CC} = 15V$ ,  $R_1 = 10K$ ,  $R_2 = 5K$ ,  $R_C = 1K$ ,  $R_E = 2K$  and  $\beta = 100$ . [5]
10. Explain the operation of N channel enhancement-type MOSFET with necessary diagram. [5]
11. Write down the properties of idle op.amp. Design the op amp circuit that produces output  $V_0 = 4V_1 + 2V_2 - 0.5V_3$ . [2+3]
12. Draw the circuit diagram for sine wave oscillator using op-amp. Write the formula for frequency calculation. [3]
13. Simplify the Boolean function using k map and realize the logic circuit.

F  $\Sigma(0,1,2,4,5,6,8,9,12,13,14)$ .

14. Explain the block diagrams of communication system. Write down the advantages of FM over AM. [5]

[4+2]

15. Explain the operation of JK flip flop with necessary diagram.

[5]

16. Write short notes on: (Any two)

[2×4]

- a) Data logger
- b) DMM
- c) Remote control

\*\*\*

TRIBHUVAN UNIVERSITY  
INSTITUTE OF ENGINEERING  
Examination Control Division

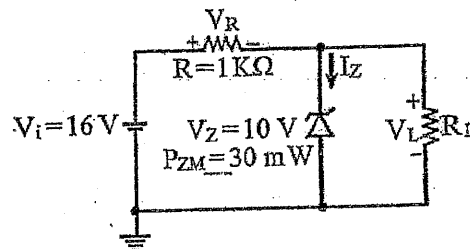
2078 Chaitra

Exam.	Regular		
Level	BE	Full Marks	80
Programme	BCE, BEL, BEX, BCT, BME, BAM, BIE, BAG, BGE, BAS	Pass Marks	32
Year / Part	I / II	Time	3 hrs.

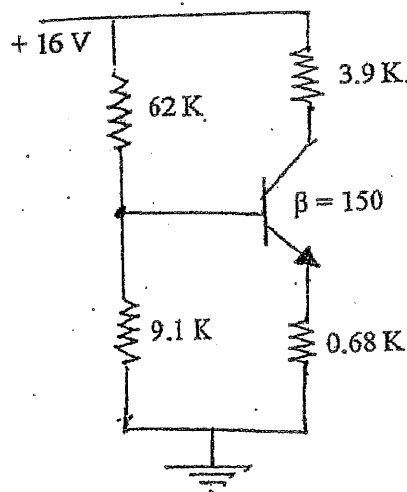
**Subject: - Basic Electronics Engineering (EX 451)**

- ✓ Candidates are required to give their answers in their own words as far as practicable.
- ✓ Attempt All questions.
- ✓ The figures in the margin indicate Full Marks.
- ✓ Assume suitable data if necessary.

1. Differentiate between Active and Passive components with examples. [3]
2. What is filter? Explain the procedure to calculate value of resistance for band 5. [1+3]
3. For the Zener diode network shown below, determine  $V_L$ ,  $V_R$ ,  $I_Z$  and  $P_Z$  for  $R_L = 3\text{ K}\Omega$ . [4]



4. Explain the working principal of full wave Bridge rectifier circuit and define its parameters. [5]
5. Find  $I_{BQ}$ ,  $I_{CQ}$ ,  $V_{CEQ}$ ,  $I_{Csat}$  and  $V_{CEsat}$  from the given voltage divider circuit. [6]



6. Explain N-channel E-MOSFET operation along with its characteristic curve. [7]
7. Draw the circuit diagram of BJT differential amplifier. [3]
8. Mention any four properties of an ideal op-amp. Derive the expression of voltage gain of an inverting amplifier using op-amp. [2+4]

99

9. State Barkhausen criteria for oscillation. Draw Wein bridge oscillator circuit to generate sine wave and derive the frequency of the generated sine wave. [2+4]
10. Differentiate between positive and negative feedback system with applications. [4]
11. Describe properties of EMW propagation. Draw structure of Optical fiber. [3+2]
12. Differentiate between Internet and Intranet. [3]
13. Convert the following: [5]
- a)  $(257.24)_8 = ( ? )_{10}$
  - b)  $(3B9)_{16} = ( ? )_8$
  - c)  $(10110)_{\text{Grey}} = ( ? )_2$
  - d)  $(2345.67)_{10} = ( ? )_{16}$
  - e) Subtract  $(49)_{10}$  from  $(37)_{10}$  using 2's complement method
14. Describe SR latch with necessary circuit diagram and truth table. [6]
15. Simplify the following Boolean Expression using K-Map and implement the simplified expression using NAND gate only:  $F(A, B, C) = \Sigma (0, 1, 2, 5) + D (3, 4, 6)$  [3+2]
16. Write short notes on: (Any Two) [2×4]
- a) Data logger
  - b) Digital Multimeter
  - c) Regulated power supply

\*\*\*

TRIBHUVAN UNIVERSITY  
INSTITUTE OF ENGINEERING  
Examination Control Division

2078 Poush

Exam.	Back		
Level	BE	Full Marks	80
Programme	BCE, BEL, BEX, BCT, BME, BAM, BIE, BAG, BGE, BAS	Pass Marks	32
Year / Part	I / II	Time	3 hrs.

**Subject:** - Basic Electronics Engineering (EX 451)

- ✓ Candidates are required to give their answers in their own words as far as practicable.
- ✓ Attempt **All** questions.
- ✓ The figures in the margin indicate **Full Marks**.
- ✓ Assume suitable data if necessary.

1. Write the color code for carbon resistor  $4.7\Omega \pm 1\%$ . [1]
2. Briefly explain about different types of controlled source. Explain the operation of RC High Pass filter with its frequency response. [3+4]
3. Explain the operation of center tapped full wave rectifier and find its PIV rating for diode with necessary diagrams. [5]
4. Draw the clipper circuit and find the output voltage with sinusoidal input voltage. [3]
5. What is MOSFET? Explain the construction and working principle of enhancement type MOSFET. [1+6]
6. Why BJT is called bipolar and FET is called unipolar device? Explain the operation of transistor as a switch in cut-off and saturation region. [1+4]
7. Draw the DC load line and determine the Q-pt of the voltage divider biased transistor circuit having  $V_{CC}=20V$ ,  $R_C=2K\Omega$ ,  $R_E=4K\Omega$ ,  $R_1=20K\Omega$ ,  $R_2=10K\Omega$  and  $\beta=100$ . [4]
8. Explain virtual ground concept of Op-amp. Design the summing amplifier using Op-amp to get the output voltage:  $V_0 = V_1 - 2V_2 - 4V_3 + 5V_4$ . [2+4]
9. List out Barkhausen criteria. Draw the circuit diagram of op-amp square wave generator and mention its frequency of oscillation. [2+2+2]
10. Explain Wein Bridge oscillator. [4]
11. Draw the block diagram of communication system and briefly explain each block. Differentiate between internet and intranet. [5+3]
12. Write short notes on: (Any Two) [2×4]
  - a) Audio video system
  - b) Remote control
  - c) Digital multimeter
13. Convert the following : (Any Three) [3×2]
  - a)  $(10101.101)_2 = (?)_{10}$
  - b)  $(9001180)_{10} = (?)_{BCD}$
  - c)  $(2AB.5E)_{16} = (?)_8$
  - d)  $(34)_{10} - (12)_{10}$  using 1's complement method.
14. Explain JK flip flop using NAND gates only. [4]
15. Simplify the expression  $F(A, B, C, D) = \sum(1, 5, 6, 7, 11, 12, 13, 15)$  and realize it with logic gate. [6]

\*\*\*





TRIBHUVAN UNIVERSITY  
INSTITUTE OF ENGINEERING  
Examination Control Division

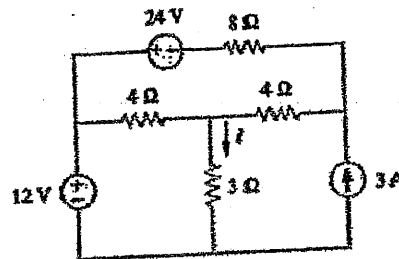
2078 Baishakh

Exam.	Back		
	Level	BE	Full Marks
Programme	BCE, BEL, BEX, BCT, BME, BAM, BIE, BAG, BGE, BAS	Pass Marks	32
Year / Part	I / II	Time	3 hrs.

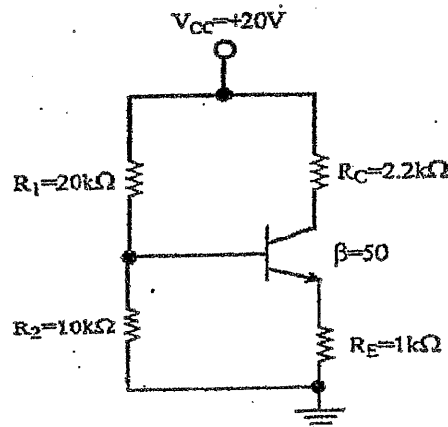
**Subject: - Basic Electronics Engineering (EX 451)**

- ✓ Candidates are required to give their answers in their own words as far as practicable.
- ✓ Attempt All questions.
- ✓ The figures in the margin indicate Full Marks.
- ✓ Assume suitable data if necessary.

1. State the difference between Active and Passive components. Describe the operation of RC high pass filter with necessary diagrams. [1+4]
2. Using the principle of superposition, find the current  $i$  through the  $3\ \Omega$  resistor in figure below. [5]



3. What is diode? Explain large signal model of PN junction diode. [1+5]
4. Draw the circuit diagram of differential amplifier using BJT. [2]
5. Explain the construction and working principle of Enhancement type N-channel MOSFET with necessary mathematical expression and characteristic curves. [6]
6. Determine the collector current ( $I_C$ ) and collector emitter voltage ( $V_{CE}$ ) of the following BJT circuit. [5]



7. Draw the circuit diagram of CMOS inverter. [3]

8. What do you mean by virtual short circuit in Op-amp. Draw the circuit diagram of differentiating amplifier using op-amp and derive the expression for output voltage. [1+4]
9. Describe the operation of square wave generator using op-amp and find its frequency of oscillation. [5]
10. What is operational amplifier? Explain Wein bridge oscillator. [1+5]
11. Describe communication system in brief with a complete block diagram. [4]
12. Draw and explain the block diagram of data logger and oscilloscope. [4+4]
13. What is Antenna? Discuss the role of Antenna in communication system. [2+2]
14. Convert the following number system into: (Any Three) [3×2]
  - a)  $(59.60)_{10} \rightarrow ( )_2$
  - b)  $(37.FE)_{16} \rightarrow ( )_8$
  - c)  $(11.011)_2 \rightarrow ( )_{10}$
  - d)  $(33.25)_8 \rightarrow ( )_{10}$
15. Solve using k-map:  $F = A'B'C' + B'CD' + A'BCD' + AB'C'$ . [6]
16. Explain the operation of JK flip-flop with necessary diagrams and characteristics table. [4]

\*\*\*

TRIBHUVAN UNIVERSITY  
INSTITUTE OF ENGINEERING  
Examination Control Division

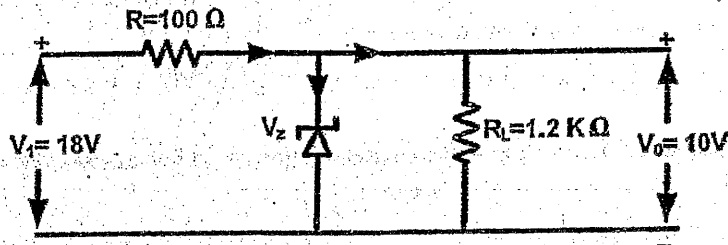
2077 Chaitra

Exam.	Regular		
Level	BE	Full Marks	80
Programme	BCE, BEL, BEX, BCT, BME, BAM, BIE, BAG, BGE, BAS	Pass Marks	32
Year / Part	I / II	Time	3 hrs.

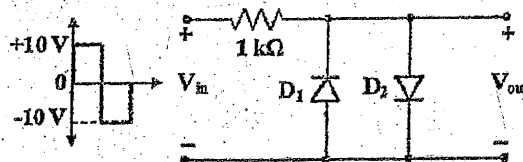
**Subject: - Basic Electronics Engineering (EX 451)**

- ✓ Candidates are required to give their answers in their own words as far as practicable.
- ✓ Attempt All questions.
- ✓ The figures in the margin indicate Full Marks.
- ✓ Assume suitable data if necessary.

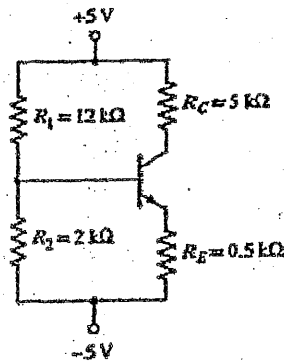
1. Write the color coding of the following values of resistors: [4]  
 a)  $47 \pm 5\% \text{ k}\Omega$       b)  $548 \pm 10\% \Omega$
2. Explain RC low pass filter with necessary derivations and diagrams. [4]
3. Find the Zener Current in the given circuit when  $R_L = 1.2 \text{ k}\Omega$ . Assume  $V_Z = 10\text{V}$ . [4]



4. Find the output voltage waveform when the input is applied to the circuit as shown in the figure using silicon diodes. [4]



5. Describe the input and output characteristics of common emitter BJT configuration with the help of circuit diagram and graph with various region of operation. [6]
6. Describe the construction and working principal of Depletion MOSFET with necessary diagrams. [5]
7. Find collector current ( $I_C$ ) and collector emitter voltage ( $V_{CE}$ ) of the BJT circuit given below with  $\beta = 100$ . [5]



8. List out ideal characteristics of op-amp. Derive voltage gain of non-inverting op-amp configuration. [2+4]
9. Design the summer circuit using operational amplifier: [5]
 
$$V_0 = V_1 + 2V_2 + 3V_3$$
10. Explain the concept of gain stability. Describe the working principal of square wave generator circuit using operational amplifier. [1+4]
11. Explain the complete block diagram of communication system. [4]
12. What is optical fiber? What are the advantages of optical fibers over traditional communication systems? [1+3]
13. Write short notes on: (Any Two) [2×4]
  - a) Strain gauge
  - b) Data logger
  - c) Digital multimeter
14. Convert the following: (Any Three) [3×2]
  - a)  $(10101.101)_2 = (?)_{10}$
  - b)  $(9001180)_{10} = (?)_{BCD}$
  - c)  $(2AB.5E)_{16} = (?)_8$
  - d)  $(34)_{10} - (12)_{10}$  using 1's complement method.
15. Simplify the expression using K-Map,  $F(x, y, z) = X'YZ + X'Y'Z + XYZ$  and realize it using logic gates. [6]
16. Explain the operation of JK flip-flop with necessary diagrams and characteristics table. [4]

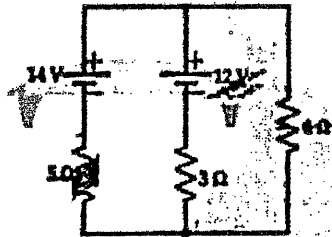
\*\*\*

Exam. Level	Regular / Back		
	BE	Full Marks	80
Programme	ALL Except BEI, BAR	Pass Marks	32
Year / Part	I / II	Time	3 hrs.

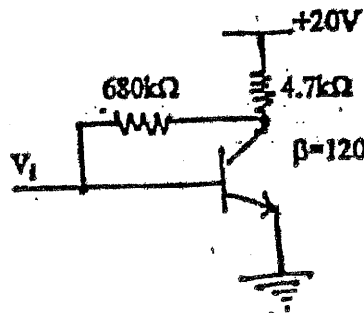
**Subject: - Basic Electronics Engineering (EX451)**

- ✓ Candidates are required to give their answers in their own words as far as practicable.
- ✓ Attempt All questions.
- ✓ The figures in the margin indicate Full Marks.
- ✓ Assume suitable data if necessary.

1. What is filter? Explain High Pass Filter. [1+3]
2. Find the voltage across the  $4\Omega$  resistor by using the Superposition theorem. [6]



3. Explain the operation of photo diode. Draw the circuit diagram of fullwave bridge rectifier. [4+2].
4. Show the relationship between current gain alpha ( $\alpha$ ) and beta ( $\beta$ ) of BJT. Explain the importance of dc loadline analysis in transistor biasing to find collector current & collector emitter voltage. [2+3]
5. Differentiate between depletion and enhancement type MOSFET. Explain NMOS as a switch. [2+4]
6. Determine  $I_{CQ}$  and  $V_{CEQ}$  for the following circuit. [5]



7. Explain how square wave is generated at output terminal using Op-Amp circuit as square wave generator and draw the circuit diagram of triangular wave generator. [4+2]
8. Show the concept of positive feedback with suitable block diagram. Draw the circuit diagram of Wein Bridge Oscillator using Op-amp. [3+2]
9. Design a summer circuit using op amp as:  $V_o = -5V_1 - 10V_2 - 15V_3$   
 Where,  $V_o$  is an output voltage and  $V_1, V_2$  &  $V_3$  are input voltages. [5]
10. Differentiate between internet and intranet. How Light-propagates through Optical fiber? [2+3]

11. Why modulation is needed? Differentiate AM and FM. [2+3]
12. Differentiate between SR and JK flip-flop. Explain Master-Slave flip-flop with block diagram. [1+3]
13. Simplify using Boolean Algebra. [3×2]
- a)  $AC + ABC + \bar{A}(C + A\bar{C})$
  - b)  $(A + B)(\bar{A} + B)(A + \bar{B})$
  - c) Subtract  $(20)_{10}$  from  $(3)_{10}$  using 1's complement method
14. Simplify the function using K-map:  
 $F(D, C, B, A) = \Sigma(3, 4, 5, 7, 9, 13, 14, 15)$  and realize this circuit using gates. [6]
15. Write short notes on: (Any Two) [3×2]
- a) Data logger
  - b) Regulated power supply
  - c) Transducer

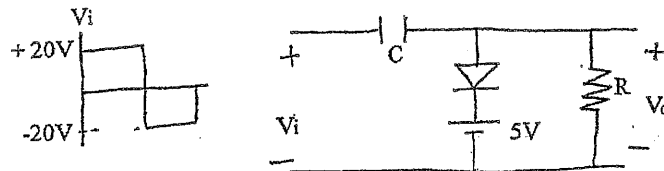
86

Exam.	Bachel		
Level	BE	Full Marks	80
Programme	All (Except BAR)	Pass Marks	32
Year / Part	I / II	Time	3 hrs.

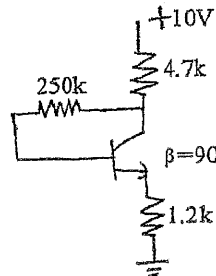
*Subject: - Basic Electronics Engineering (EX 451)*

- ✓ Candidates are required to give their answers in their own words as far as practicable.
- ✓ Attempt All questions.
- ✓ The figures in the margin indicate Full Marks.
- ✓ Assume suitable data if necessary.

1. Define dependent or controlled source. Briefly explain its type with suitable examples. [5]
2. Differentiate between active and passive components. [3]
3. Explain the operation of Varactor diode with its characteristic curve. [5]
4. Sketch  $V_0$  for given network. Assume diode is made of silicon. [5]



5. Describe the input and output characteristics of common emitter configuration circuit of BJT with the help of circuit diagram and graph with various regions of operation. [6]
6. Determine Quiescent levels of  $I_{CQ}$  and  $V_{CEQ}$  for the network. [6]



7. Derive the expression of output voltage for integrator and differentiator using op-amp. [5]
8. State the Barkhausen Criteria for oscillation. Show how square wave is generated using Op-amp. [2+6]
9. What is electromagnetic wave? Explain about EMW propagation. [1+3]
10. Differentiate between: [3+3]
  - a) Internet and Intranet
  - b) Broadcasting and Communication
11. Using K-map simplify the expression  $F(a,b,c) = \bar{a}bc + b\bar{c} + ab\bar{c} + a\bar{b}c$  [4]
12. Subtract  $(11100)_2$  from  $(10011)_2$  using 2's complement method. [3]
13. Define Demultiplexer. Explain the operation of binary to octal decoder. [6]
14. Construct S-R flip-flop using NAND Gate only and explain the operation with characteristic table. [6]
15. Draw a basic lock diagram of oscilloscope and explain its function. [5]
16. Write short notes on: (Any one) [3]
  - a) Strain Gauge
  - b) Regulated Power Supply



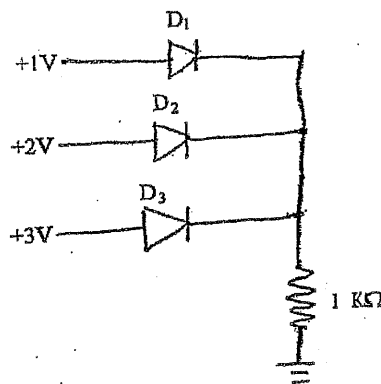


Exam.	Regular		
Level	BE	Full Marks	80
Programme	All (Except B.Arch.)	Pass Marks	32
Year / Part	I / II	Time	3 hrs.

**Subject: - Basic Electronics Engineering (EX451)**

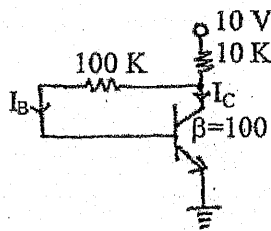
- ✓ Candidates are required to give their answers in their own words as far as practicable.
- ✓ Attempt All questions.
- ✓ The figures in the margin indicate Full Marks.
- ✓ Assume suitable data if necessary.

1. What do you mean by an ideal voltage source? Why is this voltage source practically unrealizable? Explain practical voltage source with an example. [1.5+1+1.5]
2. Why are resistors, inductors and capacitors called passive elements? How can these components be used to realize a filter circuit that passes high frequency signals only? [1+3]
3. Describe the small signal model of semiconductor diode. And derive the expression for dynamic resistance rd. [6]
4. Assuming diodes used in the circuit are ideal. Find current through 1 KΩ resistor. [4]



5. Design Op-amp circuit to get output  $V_0 = 0.5V_1 - 2V_2 - V_3$ . Here  $V_1$ ,  $V_2$  and  $V_3$  are three input voltage source. [4]
6. Explain the working of triangular wave generator with necessary diagram. [5]
7. Draw the circuit diagram of Wien bridge Oscillator. Write frequency of Oscillation. [3]
8. Explain the need of modulation in a communication system. [3]
9. Explain the block diagram of optical fibre communication and explain the advantages of optical communication over copper cable communication. [6]
10. Convert the following numbers as indicated. [1.5×2]
  - a)  $(EIA)_{16} = ( )_8$
  - b)  $(35.7)_{10} = ( )_2$
11. State and prove De-Morgan's Theorems. [3]
12. Define encoder. Explain the operation of octal to binary encoder with logical diagram. [6]

13. Obtain the simplified expression for the following boolean function using K-Map. [3]  
 $F(x, y, z) = \sum m(0, 2, 4, 5, 6)$
14. Construct clocked SR flip-flop with its characteristics table and equation. [5]
15. For the circuit given below determine  $I_B$ ,  $I_C$  and  $V_{CE}$ . [2+2+2]



16. Explain the working principle of n-channel Enhancement type MOSFET. [6]
17. Explain the block diagram of data logger briefly. [4]
18. What is a digital multimeter? Draw its block diagram and explain how it measures resistance. [1+4]

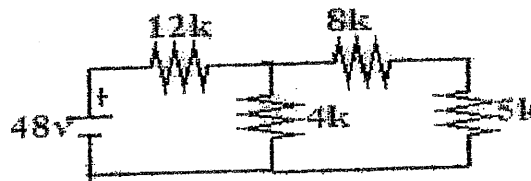
\*\*\*

		Back	
Exam.	BE	Full Marks	80
Level	All (Except B. Arch)	Pass Marks	32
Programme	I / II	Time	3 hrs.

**Subject: - Basic Electronics Engineering (EX451)**

- ✓ Candidates are required to give their answers in their own words as far as practicable.
- ✓ Attempt All questions.
- ✓ The figures in the margin indicate Full Marks.
- ✓ Assume suitable data if necessary.

1. Determine  $V_{th}$ ,  $R_{th}$  and the current through 5 K $\Omega$  resistor using Thevenin's theorem. [4]



2. What do you mean by a filter circuit? Explain the operation of RC low pass filter with its transfer function and frequency response. [4]
3. Explain large signal models of PN junction diode. [4]
4. Explain the working principle of full wave bridge rectifier with necessary diagrams and expressions. [4]
5. Draw the DC load line and determine the Q point of the voltage divider biased transistor circuit having  $V_{CC} = 20V$ ,  $R_C = 2K$ ,  $R_1 = 20k$ ,  $R_2 = 10k$ ,  $R_E = 4k$ ,  $\beta = 100$ . [6]
6. Describe the construction and working principle of n-channel depletion type MOSFET with necessary diagrams. [6]
7. Explain the operation of CMOS inverter with necessary diagram. [4]
8. Describe the working principle of square wave generator circuit using operational amplifier. [4]
9. What do you mean by virtual short circuit in OP amp? Draw the circuit diagram of the inverting integrator and show that the output is proportional to the time-integral of the input. [2+2+2]
10. State Barkhausen criteria for oscillation. Draw Wein bridge oscillator circuit to generate sine wave and derive the frequency of the generate sine wave. [2+2+2]
11. Explain working principle of optical fiber. List out the advantages of optical fiber communication over copper cable communication. [2+4]
12. Write short notes: (any two) [2×3]
- i) Data Logger
  - ii) Digital Multimeter (DMM)
  - iii) Regulated Power Supply
13. What is an antenna? Explain any two properties of the antenna. [2+2]
14. Simplify the expression using K-Map,  $F(A,B,C) = A'B + BC + AC'$ . [4]
15. Explain the operation of JK flip-flop with necessary diagrams and characteristic table. [6]
16. What is multiplexer (MUX) Explain 4:1 Multiplexer. [6]

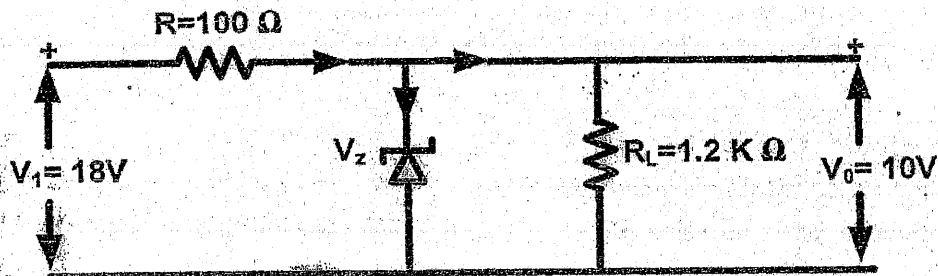
\*\*\*

Exam.	Regular		
Level	BE	Full Marks	80
Programme	All (Except B. Arch)	Pass Marks	32
Year / Part	I / II	Time	3 hrs.

**Subject: - Basic Electronics Engineering (EX451)**

- ✓ Candidates are required to give their answers in their own words as far as practicable.
- ✓ Attempt All questions.
- ✓ The figures in the margin indicate Full Marks.
- ✓ Assume suitable data if necessary.

1. What is Active and Passive Component? Define transconductance and voltage gain with reference to BJT. [2+4]
2. Draw the circuit diagram of RC High-pass filter and explain its operation with the help of frequency dependent response at the output. [5]
3. Find the Zener Current in the given circuit when  $R_L = 1.2 \text{ K}\Omega$ . Assume  $V_Z = 10 \text{ V}$ . [5]



4. What is clipper and clamper circuit? [2]
5. Draw emitter feedback bias circuit of BJT by labeling all the circuit components. Find  $I_C$  and  $V_{CE}$  in the circuit if  $V_{CC} = +12 \text{ V}$ ,  $R_B = 430 \text{ k}\Omega$ ,  $R_C = 2 \text{ k}\Omega$ ,  $R_E = 1 \text{ k}\Omega$  and  $\beta = 50$ . [2+4]
6. Draw the circuit diagram of differential amplifier using BJT. [2]
7. Describe the working principle of n-channel enhancement type MOSFET. [6]
8. Mention any four properties of ideal Op-amp. Derive the expression of voltage gain of non-inverting amplifier using Op-amp. [2+4]
9. State Barkhausen criteria. Draw the circuit diagram of square wave generator and explain how it works. [2+4]
10. Draw the circuit diagram of Wien Bridge oscillator. [4]
11. Differentiate between following communication systems. [3+3]
  - i) Wired and wireless communication system
  - ii) Broadcasting and communication
12. What are the advantages and disadvantages of optical communication system? [4]
13. Write short notes on: (any two) [2×3]
  - i) Oscilloscope
  - ii) Data logger
  - iii) Regulated power supply using IC
14. State DeMorgan's theorem. Subtract  $(1111)_2$  from  $(1110)_2$  using 2's complement method. [3+3]
15. Simplify an expression  $F(A,B,C,D) = \sum(1,3,7,9,11,14,15)$  by using K-map. [4]
16. Explain the operation of clocked R-S Flip-Flop with necessary diagram. [6]

5/31

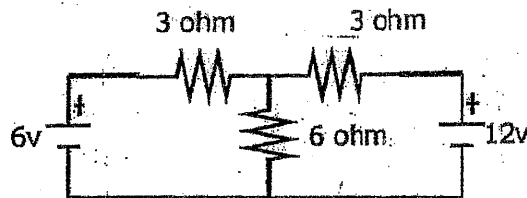
04 TRIBHUVAN UNIVERSITY  
INSTITUTE OF ENGINEERING  
**Examination Control Division**  
2073 Bhadra

Exam.	Regular		
Level	BE	Full Marks	80
Programme	All (Except B.Arch.)	Pass Marks	32
Year / Part	I / II	Time	3 hrs.

**Subject: - Basic Electronics Engineering (EX451)**

- ✓ Candidates are required to give their answers in their own words as far as practicable.
- ✓ Attempt All questions.
- ✓ The figures in the margin indicate Full Marks.
- ✓ Assume suitable data if necessary.

1. Describe different types of controlled source with figures. [4]
2. Calculate the current flowing in each branch using superposition theorem. [6]



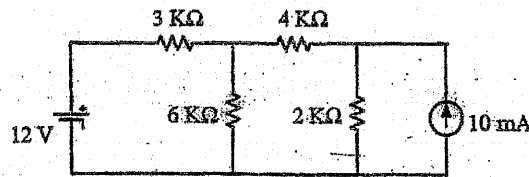
3. Describe the rectification process. Explain the operation of half wave rectifier with necessary diagrams. [1+4]
4. What is diode clamper? Describe the operation diode clamper circuit. [1+4]
5. Draw the DC load line and determine the Q point of the voltage divider biased transistor circuit having  $V_{cc} = 15v$ ,  $R_c = 1k\Omega$ ,  $R_1 = 10 k\Omega$ ,  $R_2 = 5k\Omega$ ,  $R_e = 2k\Omega$  and  $\beta = 75$ . [6]
6. Why BJT is a bipolar and MOSFET is an unipolar device? And draw the circuit diagram of differential amplifier using BJT. [2+2]
7. Explain the operation of CMOS switch with necessary diagrams. [4]
8. Mention any four properties of an ideal OP amp. Derive the expression of voltage gain of an inverting amplifier using OP amp. [2+4]
9. Draw a circuit diagram of square wave generator using OP amp. Explain how it generates the square wave. Express the frequency of the square wave generated. [2+3+1]
10. What is Optical fiber? Explain the advantages of optical fiber communication over coaxial cable communication. [1+3]
11. Define communication system. And describe communication system in brief with the complete block diagram. [2+3]
12. Simplify the expression using K-Map,  $F(x,y,z) = X'YZ + X'Y'Z + XYZ$  and realize it using logic gates. [5]
13. Mention the types of flip flops and explain the operation of J-K flip flop with necessary diagrams. [1+4]
14. Draw a block diagram of digital multimeter. Explain how it measures dc current flowing through it. [5]
15. Draw and explain the block diagram of data logger. [4]
16. Write short notes on: (any two) [2x3]
  - a) Light emitting diode
  - b) Output characteristics of common base configuration
  - c) Regulated power supply

Exam.	New Batch (2066 & Later Batch)		
Level	BE	Full Marks	80
Programme	All (Except B.Arch)	Pass Marks	32
Year / Part	I / II	Time	3 hrs.

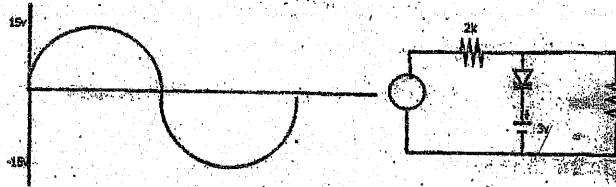
**Subject: - Basic Electronics Engineering (EX451)**

- ✓ Candidates are required to give their answers in their own words as far as practicable.
- ✓ Attempt All questions.
- ✓ The figures in the margin indicate Full Marks.
- ✓ Assume suitable data if necessary.

1. State Thevenin's theorem and use it to find the current through 4 kΩ resistor. [1+5]



2. Explain the operation of RC low pass filter with its transfer function and frequency response. [4]
3. What is diode? Explain the I-V characteristics of PN junction diode. [1+4]
4. Define pulse shaping circuits. Find the output wave form of the given circuit. [1+4]



5. Draw emitter feedback bias circuit of BJT by labeling all the circuit components. Find  $I_C$  and  $V_{CE}$  in the circuit if  $V_{CC} = +12V$ ,  $R_B = 430 k\Omega$ ,  $R_C = 2 k\Omega$ ,  $R_E = 1 k\Omega$  and  $\beta = 50$ . [2+3]
6. Draw the structure of CMOS. Describe the operation of CMOS logic inverter. [5]
7. Explain the concept of virtual ground. Design a summer circuit using op-amp to get the output voltage as:  $V_o = -(V_1 + 10V_2 + 25V_3)$  [1+4]
8. Define positive feedback. Draw the circuit diagram for Wien Bridge oscillator and explain the principal of operation. [1+4]
9. Draw a block diagram of communication system and explain each block briefly. [6]
10. Write short note on optical fiber. What are the advantages of optical fiber communication over traditional communication system? [2+2]
11. State and prove De-Morgan's theorems. [4]
12. Explain the operation of SR flip-flop with necessary diagram. [5]
13. Convert the following number system. [3]
- (a)  $(25.5)_{10} = (?)_2$  (b)  $(EAB)_{16} = (?)_{10}$  (c)  $(9180)_{10} = (?)_{BCD}$
14. Write short notes on: (any two) [2×5]
- a) Strain Gauge  
b) Data Logger  
c) DMM
15. Describe the construction and working principal of N-channel Depletion type MOSFET. [8]

TRIBHUVAN UNIVERSITY  
INSTITUTE OF ENGINEERING  
Examination Control Division

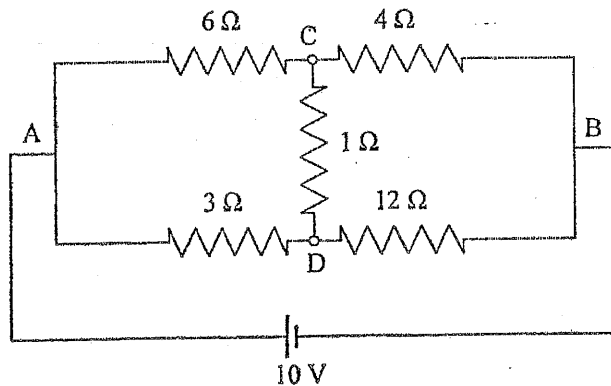
2080 Baishakh

Exam.	Back		
Level	BE	Full Marks	80
Programme	BEL, BEX, BEI, BCT, BAM, BIE, BAG, BAS, BCH	Pass Marks	32
Year / Part	I / I	Time	3 hrs.

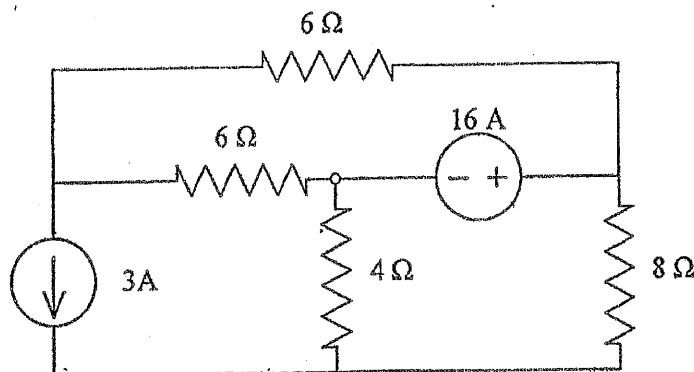
**Subject: - Basic Electrical Engineering (EE 401)**

- ✓ Candidates are required to give their answers in their own words as far as practicable.
- ✓ Attempt All questions.
- ✓ The figures in the margin indicate Full Marks.
- ✓ Assume suitable data if necessary.

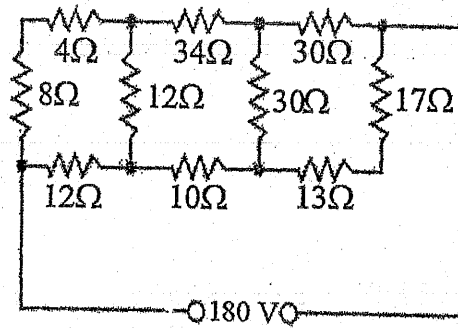
1. a) The resistance of a transformer winding is  $460 \Omega$  at room temperature of  $25^\circ\text{C}$ . When the transformer is running and the final temperature is reached, the resistance of the winding increases to  $514 \Omega$ . Find the average temperature rise of winding, assuming that  $\alpha_{20} = 0.004/^\circ\text{C}$ . [6]
- b) What are ohmic and non ohmic conductors? Discuss voltage current characteristics of a metallic conductor. [4]
- c) In the given circuit, calculate the current flowing through  $12 \Omega$  resistor when
  - i) C and D are open circuited.
  - ii) C and D short circuited. [6]



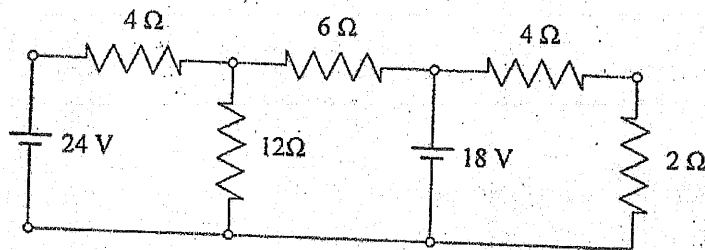
2. a) Prove that VI relation is linear but Power-voltage relation is non-linear. [4]
- b) Calculate the current through  $8 \Omega$  resistance using Thevenin's Theorem in the given circuit. [8]



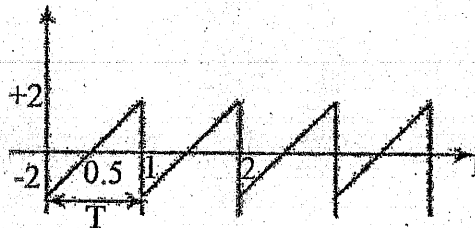
- c) Determine the value of source current in the network shown below using star delta transformation. [4]



3. a) Determine the current in  $6\ \Omega$  resistor in the circuit shown below using superposition theorem. [8]



- b) Find the expression for equivalent self-inductance of two coils when they are placed near to reach to each other in parallel aiding type. [4]  
 c) Define power factor and explain cause of low power factor. Why in general, it should be kept as high as possible as in power supply systems. [4]
4. a) Determine the average and rms value of voltage for sinusoidal voltage waveforms shown in figure below. Also find peak and form factor. [6]



- b) Find the source current, power factor and total power consumed in the given circuit and show the main voltage and branch currents in phasor. [6]  
 c) Define the terms for an a.c quantity. [4]  
 i) Lagging (ii) Leading (ii) In phase and (iv) Out of phase be  $180^\circ$ . Draw phasor and wave diagram also.
5. a) An unbalanced star-connected load shown in figure below is supplied by three phase balanced supply of  $400\text{V}$ ,  $50\text{Hz}$  system. Find line currents, current through neutral wire, active power, reactive power and apparent power and overall power. Also draw the phasor diagram. [8]  
 b) Write the operating principle of a wattmeter. Explain how two wattmeter can measure an active power in a 3 phase circuit. [8]



TRIBHUVAN UNIVERSITY  
INSTITUTE OF ENGINEERING  
Examination Control Division

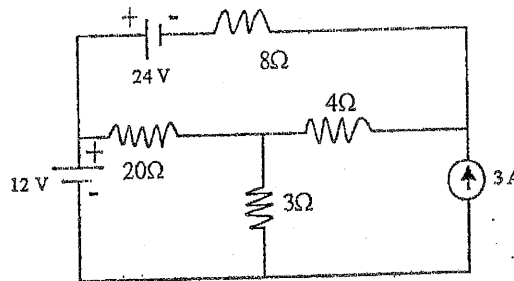
2079 Bhadra

Exam.	Regular		
Level	BE	Full Marks	80
Programme	BEL, BEX/BEI, BCT, BAM, BIE, BAG, BAS, BCH	Pass Marks	32
Year / Part	I / I	Time	3 hrs.

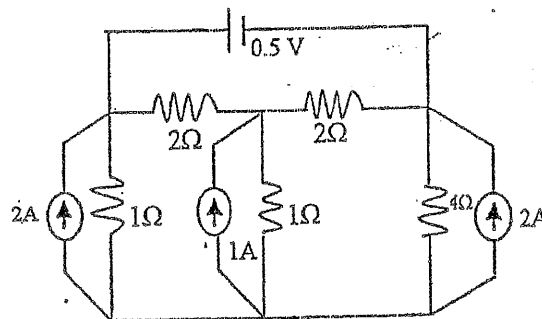
*Subject: - Basic Electrical Engineering (EE 401)*

- ✓ Candidates are required to give their answers in their own words as far as practicable.
- ✓ Attempt All questions.
- ✓ The figures in the margin indicate Full Marks.
- ✓ Assume suitable data if necessary.

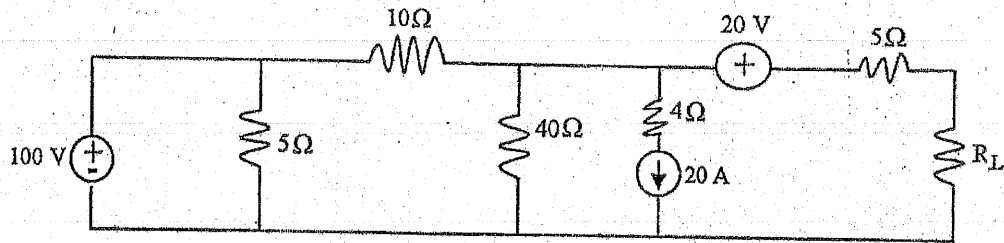
1. a) A coil is connected across a constant dc source of voltage 240V, draws a current of 12A at room temperature. After running 4 hours, temperature rises to 65° C and current reduces to 8A. Calculate the current when temperature increases to 80° C and the coefficient of resistance at 30° C and temperature coefficient of resistance at 40° C. [consider room temperature = 25° C] [6]
- b) Explain about ideal and practical current and voltage sources. [4]
- c) A 100 W, 250 V bulb is connected in series with a 40 W, 250 V bulb across 500 V supply. What will be the current drawn? What will be the power consumed by each bulb? Will such a combination work normally? [6]
2. a) Prove that maximum power is transferred to the load when load resistance is equal to source resistance. [4]
- b) Find the current flowing through the 20Ω resistor using by superposition theorem the circuit shown below. [8]



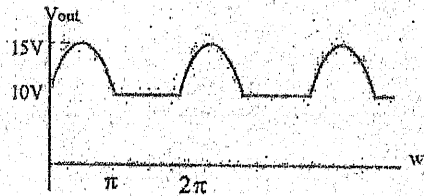
- c) Find power dissipated through 4Ω resistor, using nodal analysis. [4]



3. a) Find the max power through the load  $R_L$  of the circuit given below. [8]



- b) The total capacitance of two capacitors is  $0.25 \mu\text{F}$ , when connected in series and  $0.15 \mu\text{F}$ , when connected in parallel. Find the capacitance of each capacitor. [4]
- c) What is power factor? Write down the drawbacks of poor factor. Explain how connecting a capacitor across the load improves the power factor. [4]
4. a) Calculate the average and rms value of the voltage signal given below. Also find the form factor and peak factor. [6]



- b) Two impedances  $(10+j5)$  and  $(8+j6)$  are connected in parallel an ac voltage source of  $V=200+j0$ . Calculate magnitude and power factor of circuit current and branch currents. Also find the total active power, reactive power, apparent power and draw the phasor diagram. [6]
- c) An alternating current of 50 Hz, has a maximum value of 200 A. Reckoning time from the instant current is zero and is becoming positive, calculate: [4]
- the instantaneous value after 2.5 m sec.
  - the time taken for the current to reach 150 A for the first and second time.
5. a) Non-inductive loads of 8 kW, 6kW, and 4kW are connected between neutral and R,Y,B phase respectively of a 3-phase 4-wire system. The line voltage is 400 V. Find the current in each line conductor and neutral conductor. [8]
- b) Show that  $V_L = \sqrt{3} V_p$  for 3-phase star connected load. Derive an expression for power factor measurement of the load by two wattmeter method. [8]

\*\*\*

TRIBHUVAN UNIVERSITY  
INSTITUTE OF ENGINEERING  
**Examination Control Division**

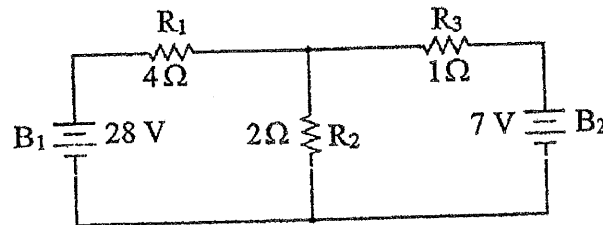
2079 Baishakh

Exam.	Back		
Level	BE	Full Marks	80
Programme	BEL, BEX, BEI, BCT, BAM, BIE, BAG, BAS, BCH	Pass Marks	32
Year / Part	I / I	Time	3 hrs.

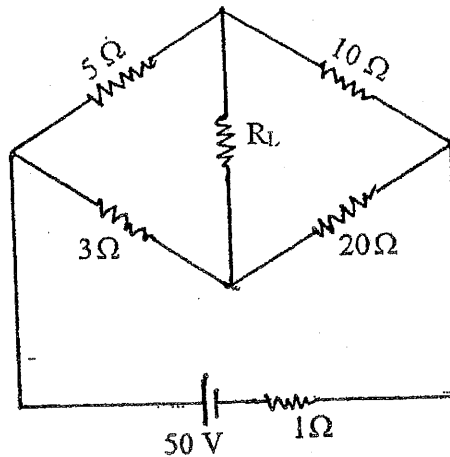
**Subject: - Basic Electrical Engineering (EE 401)**

- ✓ Candidates are required to give their answers in their own words as far as practicable.
- ✓ Attempt All questions.
- ✓ The figures in the margin indicate Full Marks.
- ✓ Assume suitable data if necessary.

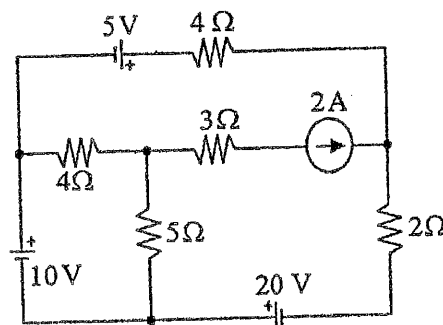
1. a) State and explain Krichof's current and voltage laws. Find the current flowing through 2 ohm resistor using KCL equations. [6]



- b) Find voltage across the given load resistance  $R_L$ . [10]



2. a) Find the current supplied by 10V source using Nodal Analysis in the circuit shown in figure below. [8]



- b) State and verify Reciprocity Theorem with an example. [8]

3. a) Explain the parallel connection of inductors with suitable example and also find the equivalent inductance of the circuit. [8]
- b) A full wave rectified sinusoidal voltage shown in figure below. Find the average and effective value of the voltage. [8]

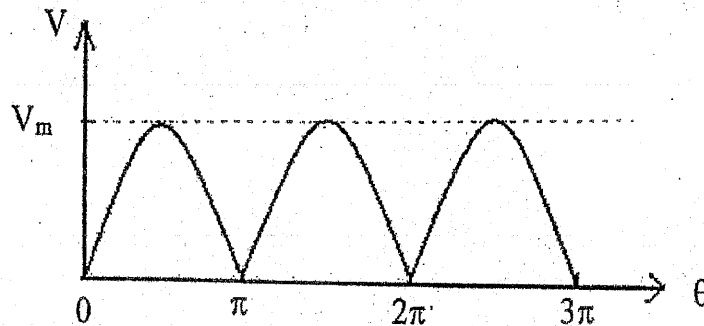
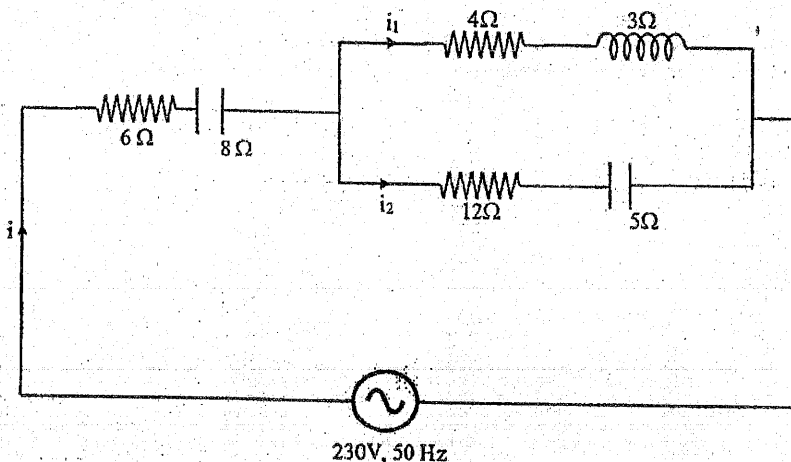


Fig: Full wave rectified sinewave

4. For the circuit shown below. Calculate. [16]
- Overall impedance of the circuit
  - Total current taken from supply and overall power factor of the circuit
  - Currents in each parallel branch
  - Active, reactive and apparent power
  - Construct Phasor diagram for given circuit



5. a) Discuss the advantages of three phase system over single phase system. Mention the causes of low power factor and its measures to improve. [6]
- b) A 380 V, 3- $\Phi$  voltage is applied to a balanced star connected 3- $\Phi$  load of phase impedance  $(5+j9)\Omega$ . If wattmeters are connected taking Y phase reference, calculate wattmeter readings and also reactive power, apparent power and active power consumed. Take RYB phase sequence. [10]

\*\*\*

TRIBHUVAN UNIVERSITY  
INSTITUTE OF ENGINEERING  
Examination Control Division

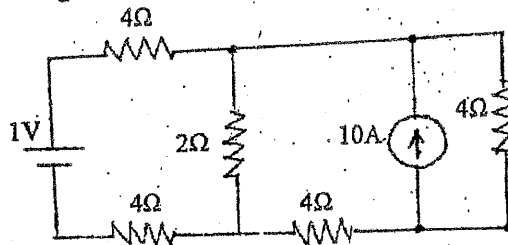
2078 Kartik

Exam.	Back	
	Level	BE
Programme	BEL, BEX, BEI, BCT, BAM, BIE, BAG, BAS, BCH	Pass Marks 32
Year / Part	I / I	Time 3 hrs.

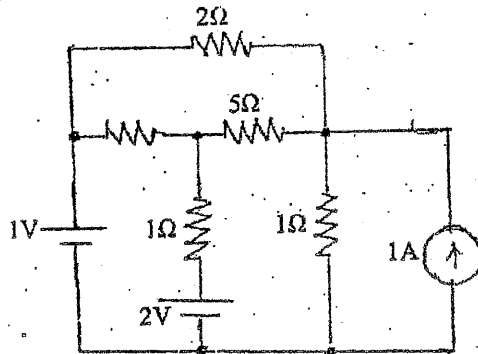
**Subject: - Basic Electrical Engineering (EE 401)**

- ✓ Candidates are required to give their answers in their own words as far as practicable.
- ✓ Attempt All questions.
- ✓ The figures in the margin indicate Full Marks.
- ✓ Assume suitable data if necessary.

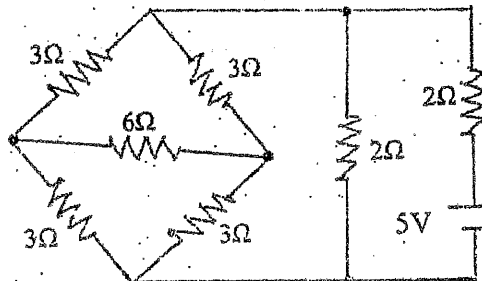
1. a) At  $20^{\circ}\text{C}$ , two coils connected in series having resistance of  $600\Omega$  and  $300\Omega$  respectively. The temperature coefficient at  $20^{\circ}\text{C}$  are  $0.002/^{\circ}\text{C}$  and  $0.004/^{\circ}\text{C}$  respectively for the coils. Find the resistance of combination at a temperature of  $50^{\circ}\text{C}$ . What is the effective temperature co-efficient of the combination at  $50^{\circ}\text{C}$ ? [8]
- b) Find the current through  $2\Omega$  resistor using super position theorem in the circuit below. [8]



2. a) Using Nodal Analysis, determine the current in  $5\Omega$  resistor in the circuit below. [8]

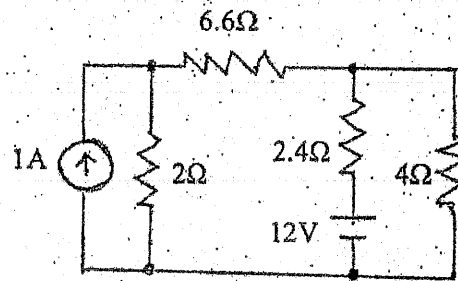


- b) State Thevenin's theorem. Determine the current through  $6\Omega$  resistor using Thevenin's theorem. [8]



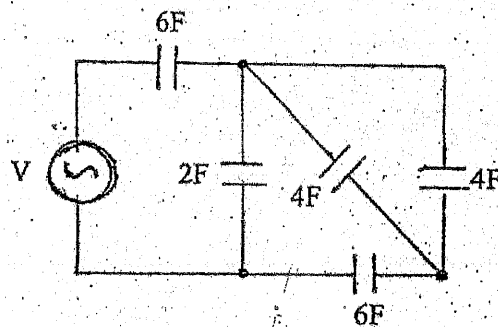
3. a) Use Norton's theorem to calculate the current through  $4\Omega$  resistance in the circuit below.

[8]



- b) Calculate the equivalent capacitance in the circuit shown below.

[4]

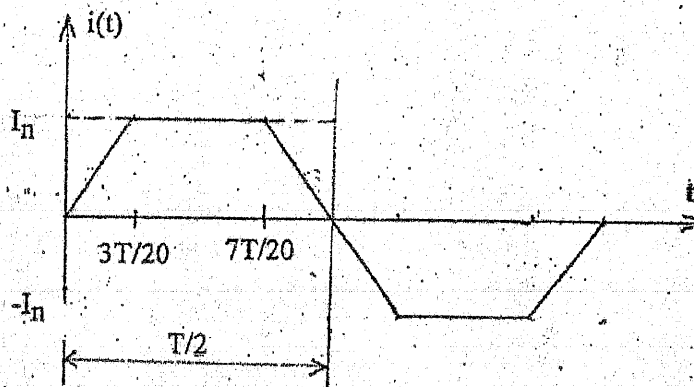


- c) What are the drawbacks of low power factor? Explain a measure to improve power factor.

[4]

4. a) Determine the rms and average value of the given waveform.

[8]



- b) Two circuits the impedances of which are given by  $Z_1=(10+j15)$  and  $Z_2=(6-j3)$  are connected in parallel. If the applied voltage to the combination is  $230V$ , find (i) current and pf of each branch (ii) overall current and p.f. of the combination (iii) power consumed by each impedance and (iv) Draw the phasor diagram.
5. a) Derive an expression to calculate the power factor of load (lagging) using two wattmeter meter readings. Also, explain the effect of power factor on wattmeter readings.
- b) Three loads  $3+j5$ ,  $3-j4$  and  $8+j6$  are connected in delta to a 3-phase,  $400V$  supply. Find the phase currents, line currents and total power consumed.

[8]

[4+4]

[8]

\*\*\*

TRIBHUVAN UNIVERSITY  
INSTITUTE OF ENGINEERING  
Examination Control Division

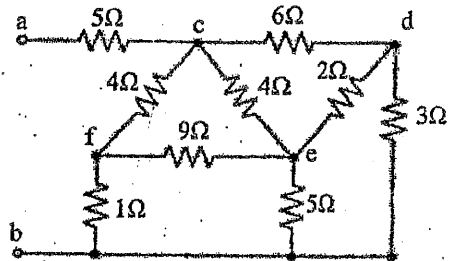
2078 Bhadra

Exam.	Regular		
Level	BE	Full Marks	80
Programme	BEL, BEX/BEI, BCT, BAM, BIE, BAG, BAS, BCH	Pass Marks	32
Year / Part	I/I	Time	3 hrs.

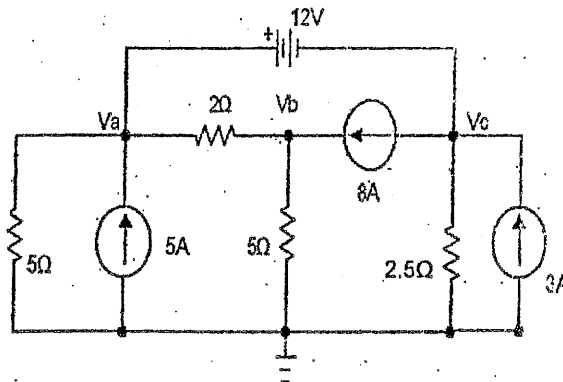
*Subject: - Basic Electrical Engineering (EE 401)*

- ✓ Candidates are required to give their answers in their own words as far as practicable.
- ✓ Attempt All questions.
- ✓ The figures in the margin indicate Full Marks.
- ✓ Assume suitable data if necessary.

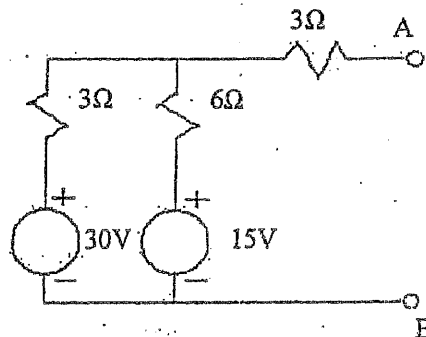
1. a) Define ideal and practical voltage source. Explain the role of internal resistance in practical voltage source with an example. [8]
- b) Using Delta-Star transformation, determine resistance between terminals a and b in the circuit shown in the figure. [8]



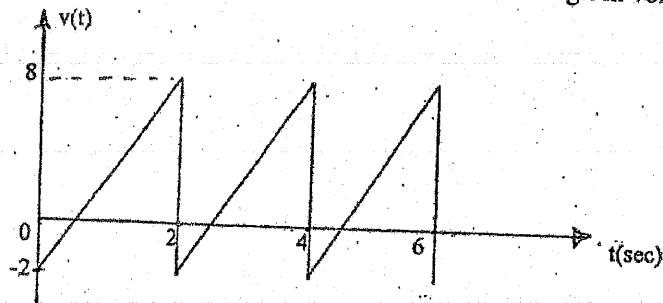
2. a) Find the current through  $2\Omega$  resistor using mesh analysis. [8]



- b) Find the value of resistance to be connected across the terminals A and B to transfer maximum power to it and find the value of this maximum power for the network shown below. [8]

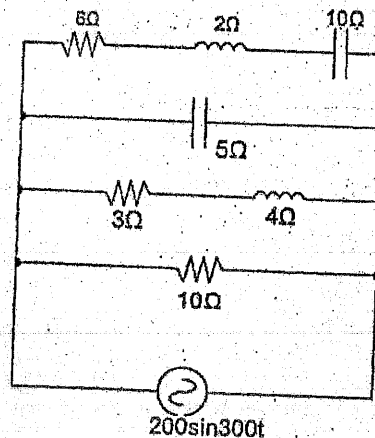


3. a) Calculate the average value, rms value and form factor of the given voltage signal. [8]



- b) A single phase inductive load of  $4\text{kW}$  at a power factor of  $70\%$  (lagging) is connected across  $240\text{V}$ ,  $50\text{Hz}$  supply. Calculate the  $\text{kVAR}$  capacity of the capacitor bank and value of capacitance that must be installed in parallel with load to bring the overall power factor to (i) unity, (ii)  $85\%$  lagging. [8]
4. In the network shown in figure below, determine: [16]

- (i) Total impedance
- (ii) Total current drawn from source
- (iii) The overall power factor
- (iv) Total Volt Amperes, Active Power and Reactive Power
- (v) Is the circuit capacitive or inductive?
- (vi) Construct the phasor diagram for given circuit.



5. a) The star-connected load having impedance of  $(12-j16)\Omega$  per phase fed from a  $50\text{Hz}$  three-phase,  $400\text{V}$ , balanced supply, with the phase sequence as R-Y-B. Find the line current, power factor, active power, reactive power, reactive VA and total volt-amperes (VA). [10]

- b) Describe the measurement of 3-phase power by two wattmeter method. [6]

\*\*\*



TRIBHUVAN UNIVERSITY  
INSTITUTE OF ENGINEERING  
Examination Control Division

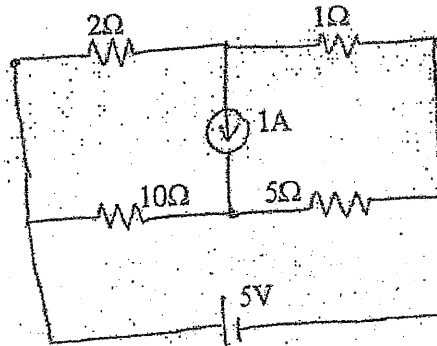
2076 Chaitra

Exam.	Regular		
Level	BE	Full Marks	80
Programme	BEL, BEX, BEI, BCT, BAM, BIE, BAG, BAS, BCH	Pass Marks	32
Year / Part	I / I	Time	3 hrs.

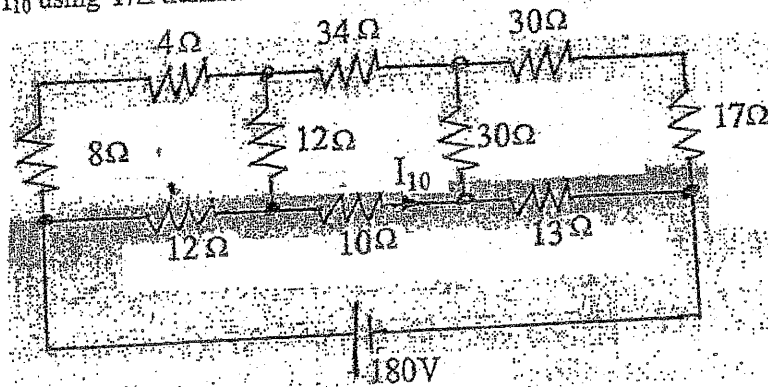
**Subject: - Basic Electrical Engineering (EE 401)**

- ✓ Candidates are required to give their answers in their own words as far as practicable.
- ✓ Attempt All questions.
- ✓ The figures in the margin indicate Full Marks.
- ✓ Assume suitable data if necessary.

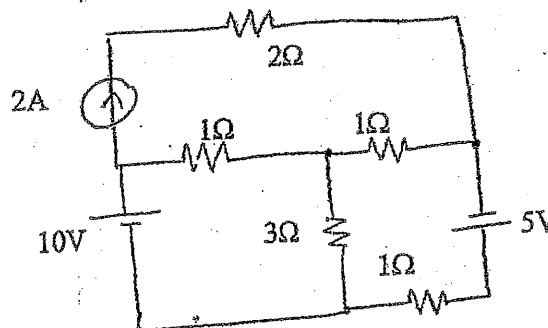
1. a) What do you mean by ideal and practical voltage source? Explain the effect of an internal resistance of voltage and current sources on their terminal characteristics. [4+4]
- b) Using loop current method, determine the current through  $5\Omega$  resistor in the circuit below. [8]



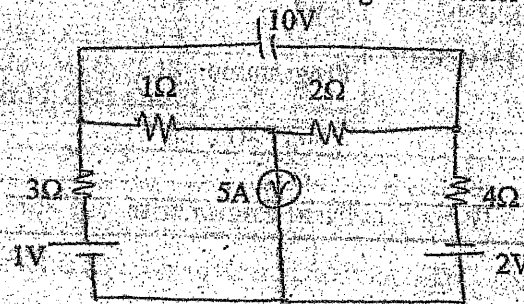
2. a) Find the  $I_{10}$  using Y/ $\Delta$  transformation method, in the network given below. [8]



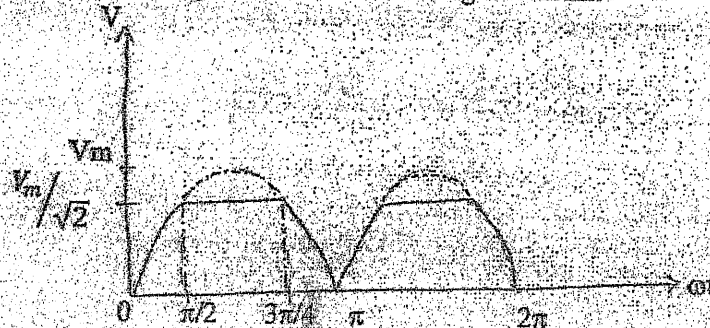
- b) Find the current through  $3\Omega$  resistor using Thevenin's theorem. [8]



3. a) Using Nodal analysis, determine the current through  $2\Omega$  resistor in the circuit below. [8]



- b) What is a self inductance? Derive the expression of equivalent inductance, when the two inductances are connected in series (opposing). [4]
- c) "The average power over complete cycle in a purely inductive circuit is zero". Justify with necessary waveforms and mathematical expression. [4]
4. a) Find the rms and average value of the following waveform. [8]



- b) Two coils A & B are connected in series across a 230V, 50Hz ac supply. The resistance and inductance of coil A & B are  $5\Omega$  and  $0.018H$  respectively. The input from the supply is 2KW and 2kVAR, find the inductance of coil A and resistance of coil B. Also calculate the voltage across each coil. [8]
5. a) A two wattmeters measured an input power of 30KW and 40KW respectively to a motor. If the power factor of the motor be changed to 0.85 leading, determine the two wattmeter readings. The total input power remains the same. Draw a phasor diagram for the second condition. [8]
- b) Three loads  $4-3j$ ,  $6+8j$ , and  $8+6j$  are connected in delta to a 3-phase, 400V supply. Find phase currents, line currents and total power consumed. [8]

\*\*\*

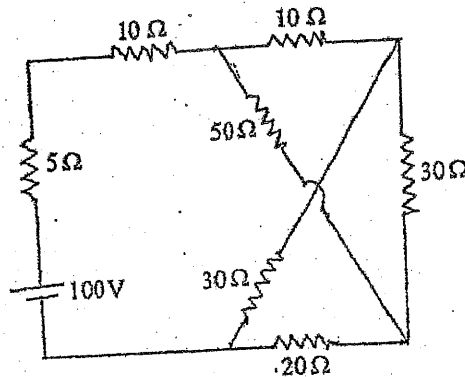
TRIBHUVAN UNIVERSITY  
INSTITUTE OF ENGINEERING  
Examination Control Division  
2076 Ashwin

Exam.	Back		
Level	BE	Full Marks	80
Programme	BEL, BEX, BEI, BCT, BAM, BIE, BAG, BAS	Pass Marks	32
Year / Part	I / I	Time	3 hrs.

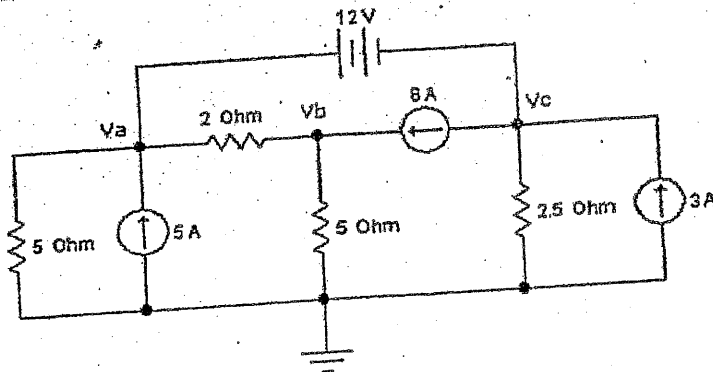
Subject: - Basic Electrical Engineering (EE 401)

- ✓ Candidates are required to give their answers in their own words as far as practicable.
- ✓ Attempt All questions.
- ✓ The figures in the margin indicate Full Marks.
- ✓ Assume suitable data if necessary.

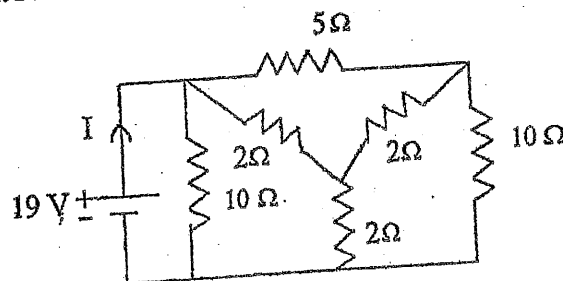
1. a) What are ideal and practical voltage and current source? Explain. [4]
- b) A coil has a resistance of  $18 \Omega$  when its mean temperature is  $20^\circ\text{C}$  and of  $20 \Omega$  when its mean temperature is  $50^\circ\text{C}$ . Find its mean temperature rise when its resistance is  $21 \Omega$  and the surrounding temperature is  $15^\circ\text{C}$ . [6]
- c) State and explain Kirchoff's voltage laws. Determine the current supplied by the battery in the circuit shown in figure below. [6]



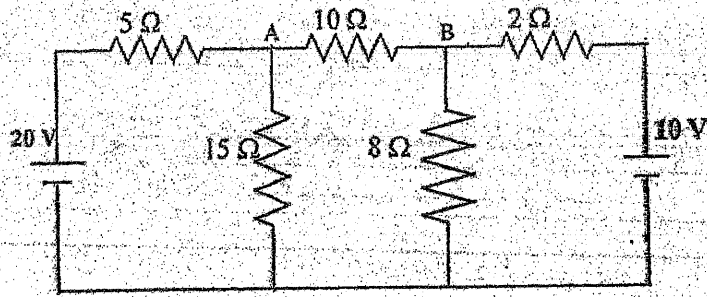
2. a) Use Nodal Analysis Method to determine the  $V_a$ ,  $V_b$  and  $V_c$  and Calculate current through  $2 \Omega$ . [8]



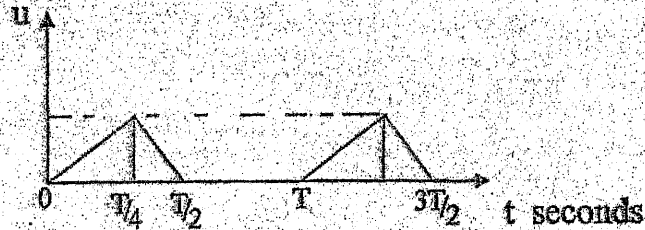
- b) Find the current  $I$  as shown in figure using star - delta transformation. [8]



3. a) Calculate the current in the  $10\Omega$  resistor in the networks shown in the circuit using Thevenin's Theorem. [8]



- b) Explain what is mean by self inductance and mutual inductance of a coil. [4]  
 c) Calculate the average and rms value of the waveform shown below, over one cycle. [4]



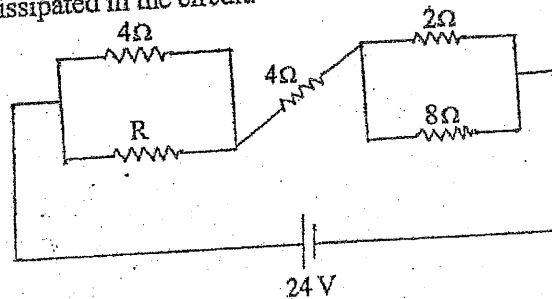
4. a) State and explain reciprocity theorem with a suitable example. [4]  
 b) A resistance of  $20\Omega$ , an inductance of  $0.2\text{ H}$  and a capacitance of  $100\ \mu\text{F}$  are connected in series across a  $220\text{ V}$ ,  $50\text{ Hz}$  supply. Determine the following (i) impedance (ii) current (iii) voltage across R, L and C. [4]  
 c) Two impedances  $z_1$  and  $z_2$  are connected in parallel. The first branch takes a leading current of  $16\text{ A}$  and has a resistance of  $5\Omega$ , while the second branch takes a lagging current at power factor  $0.8$ . The total power supplied is  $5\text{ kW}$ , the applied voltage being  $(100+j200)\text{ V}$ . Determine the branch and total currents. [8]
5. a) What are the disadvantages of supplying a low power factor? A  $100\text{ kW}$  load at  $0.85$  lagging power factor is being supplied by a  $230\text{ V}$ ,  $50\text{ Hz}$  source. Calculate the reactive power drawn from the source. If a capacitor connected parallel to the load improves its power factor to  $0.9$ , find the capacitance of the capacitor. Also, calculate the current drawn from the source before and after connecting the capacitor. [2+6]  
 b) A three phase delta connected system with  $400\text{ V}$  line voltage is connected to three unbalanced loads:  $(12-j16)\Omega$ ,  $(3+j4)$ , and  $20\Omega$ , are also connected in delta. Find (i) phase currents (ii) line currents (iii) total active power consumed. [8]

Exam.	Regular/Back		
Level	BE	Full Marks	80
Programme	BEL, BEX, BEI, BCT, BAM, BIE, BAG, BAS	Pass Marks	32
Year / Part	I / I	Time	3 hrs.

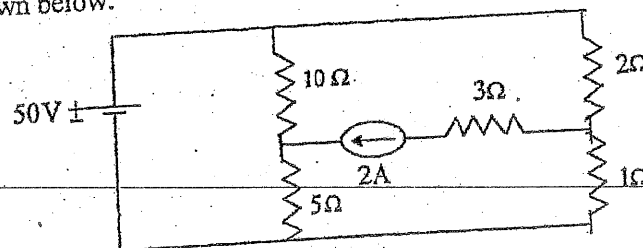
*Subject: - Basic Electrical Engineering (EE 401)*

- ✓ Candidates are required to give their answers in their own words as far as practicable.
- ✓ Attempt All questions.
- ✓ The figures in the margin indicate Full Marks.
- ✓ Assume suitable data if necessary.

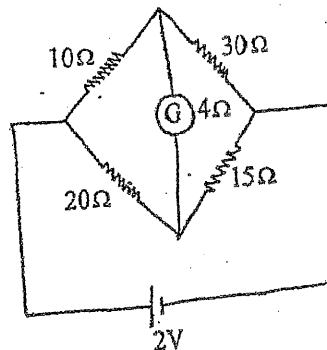
1. a) Discuss on brief voltage and current sources. Also justify the statement "terminal voltage goes on increasing on decreasing load current". [4]
- b) The resistance of the certain length of wire is 4.60 ohm at 20°C and 5.68 ohm at 80°C. Determine (i) the temperature coefficient of resistance of the wire at 0°C, (ii) the resistance of the wire at 60°C. [6]
- c) State and explain Kirchoff's current laws. Determine the value of unknown resistance R and the total current drawn from the source in the circuit of figure. Also compute the total power dissipated in the circuit. [6]



2. a) Use loop current method to calculate the current through the 5 Ω resistance for the network shown below. [8]

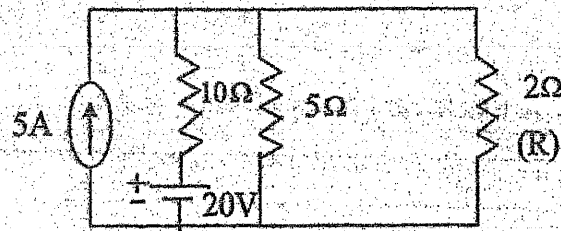


- b) Using delta/star transformation, find the galvanometer current in the Wheatstone bridge. [8]



3. a) Find the current through R using thevenin's theorem. Also, find the value of R such that maximum power transfer takes place from the source to R in the network shown below.

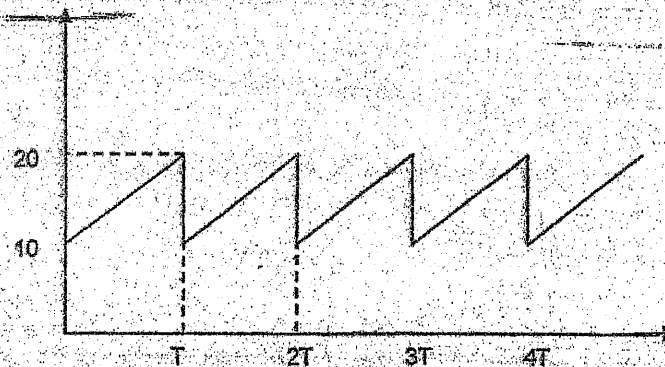
[8]



- b) Derive an expression for the equivalent capacitance of a group of capacitors when they are connected in series.
- c) Calculate the form factor and peak factor of the following waveform.

[4]

[4]



4. a) State and explain Norton's theorem with a suitable example.
- b) A resistance of  $12\ \Omega$ , an inductance of  $0.15\ \text{H}$  and a capacitance of  $130\ \mu\text{F}$  are connected in series across a  $100\ \text{V}$ ,  $50\ \text{Hz}$  supply. Calculate the impedance, current and phase angle and power factor.
- c) A parallel circuit consists of two branches, one containing a coil of resistances  $5\ \Omega$  and inductance  $38.2\ \text{mH}$ , the other a non-inductive resistance  $16\ \Omega$  in series with a capacitor of  $300\ \mu\text{F}$  capacitance. The circuit is connected to a  $240\ \text{V}$ ,  $50\ \text{Hz}$  supply. Determine (i) the current in each branch (ii) the total current (iii) the circuit phase angle (iv) the circuit impedance (e) the components of an equivalent circuit consisting of a resistance and reactance.
5. a) Define power factor and explain causes of low factor. A single phase  $240\ \text{V}$ ,  $50\ \text{Hz}$  induction motor takes  $20\ \text{A}$  at power factor of  $0.75$  lagging. It is desired to raise the power factor to  $0.95$  lagging by connecting a capacitor across the load. Calculate the capacitance of the capacitor to be used in parallel with induction motor.
- b) A three phase  $400\ \text{V}$ ,  $50\ \text{Hz}$  power line has two loads connected to it. The first is delta-connected and draws  $25\ \text{Kw}$  at  $0.70$  power factor lagging. The second is wye-connected and draws  $6.25\ \text{kVA}$  at  $0.8$  power factor leading. What is the total line current and the combined power factor.

[4]

[4]

[8]

[2+6]

[8]

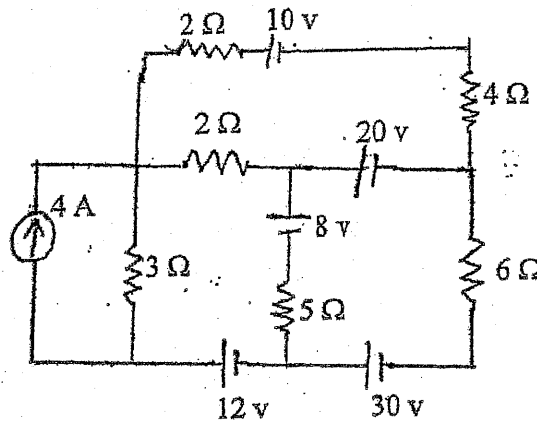
\*\*\*

Exam.	Back		
Level	BE	Full Marks	80
Programme	BEL, BEX, BCT, BAME, BIE, B. Agri.	Pass Marks	32
Year / Part	1 / I	Time	3 hrs.

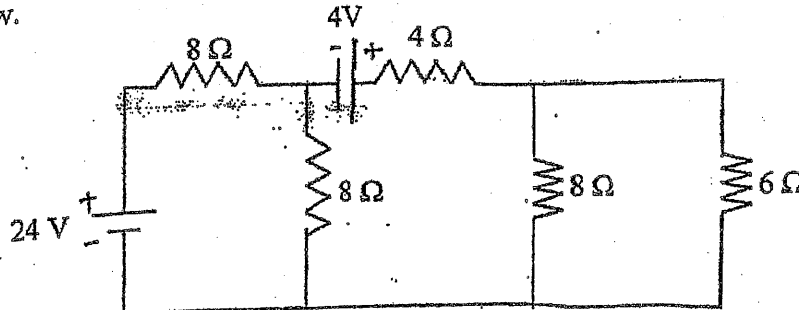
**Subject: - Basic Electrical Engineering (EE401)**

- ✓ Candidates are required to give their answers in their own words as far as practicable.
- ✓ Attempt **All** questions.
- ✓ The figures in the margin indicate **Full Marks**.
- ✓ Assume suitable data if necessary.

1. a) Differentiate between Practical Voltage Source and Practical Current Source. [4]
- b) The field winding of dc motor takes 1.15 A current at 20°C. If current falls to 0.26 A after working for some hours, supply voltage remaining constant, find the final working temperature of field winding. Given,  $\alpha_0 = \frac{1}{234.5}$  and voltage = 230V. [6]
- c) Three lamps of rating 220 V and 150 watt, 200 watt and 450 watt are connected across 200 V supply. Calculate the resistance of each lamp and the power consumed by each lamp at 200 V. [6]
2. a) Solve the given network with mesh analysis to find voltage drop on 5 Ω resistors. [6]



- b) Use nodal analysis to find the current through 4Ω resistor for the network shown below. [6]

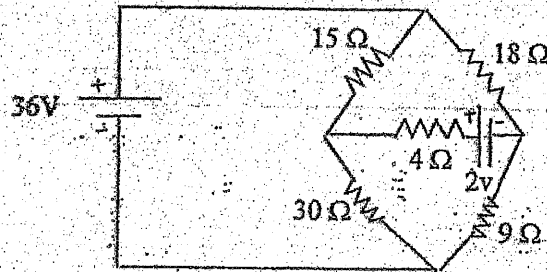


- c) State and explain superposition theorem with suitable example. [4]



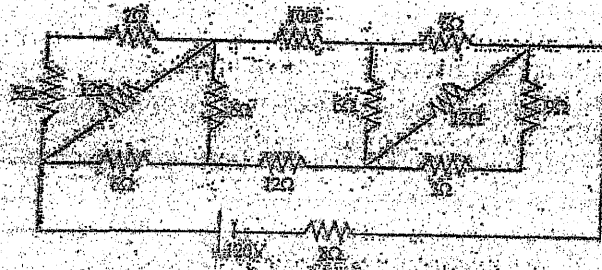
3. a) Using thevenin's theorem find the current through the  $4\Omega$  for the network shown below.

[6]



- b) Determine the power dissipated in the  $8\Omega$  resistor of the given network using star-delta and delta-star transformation.

[6]



- c) How mutual inductance between two coils depends upon dimensions of core and coils.

[4]

4. a) Find the form factor and peak factor of the current waveform given below.

[4]



- b) A coil of inductance  $318.3\text{ mH}$  is connected in series with a  $200\Omega$  resistor to a  $240\text{ V}$ ,  $50\text{ Hz}$  supply. Calculate the current flowing, power factor, active and reactive power of the circuit. Also draw the phasor diagram.

[6]

- c)  $Z_1 = (40 - j318.31)$  and  $Z_2 = (50 + j62.83)$  are connected in parallel to each other and a source of  $100\text{V}$ ,  $50\text{ Hz}$  is applied across the overall circuit. Calculate (i) circuit current (ii) Active, reactive and apparent power.

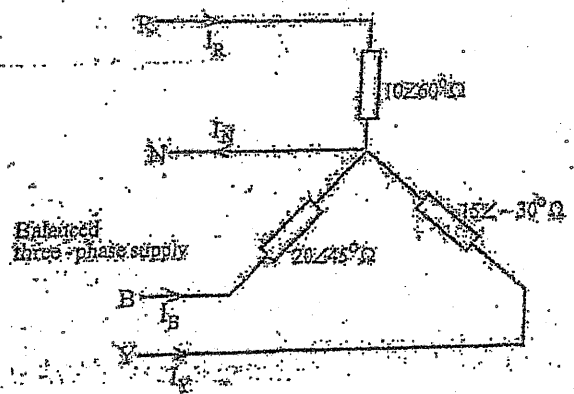
[6]



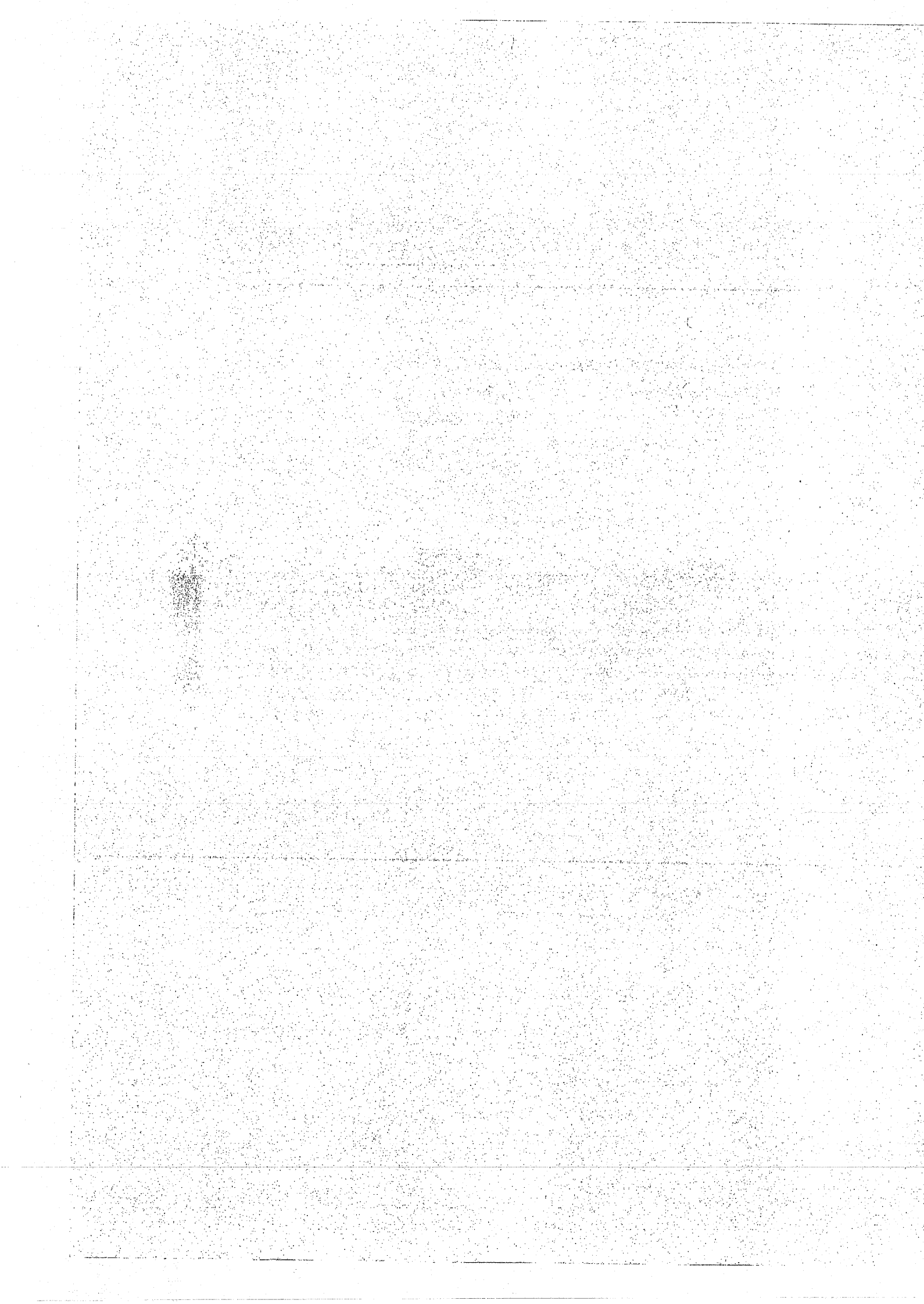
5. a) Discuss the effect of low power factor. A single phase load of 7Kw operates at a power factor 0.7 lagging. It is proposed to improve the power factor to 0.9 lagging by connecting a capacitor the load. Calculate the KVAR rating of the capacitor. [3+5]

b) For the following unbalanced system with balanced three phase supply of 400 V, 50 Hz, calculate: [8]

- i) The line currents and neutral current
- ii) Active and reactive power absorbed by the circuit
- iii) Draw the phasor diagram.



\*\*\*

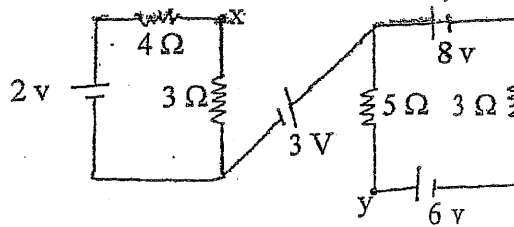


Exam.	Regular		
Level	BE	Full Marks	80
Programme	BEL, BEX, BCT, BAME, BIE, B. Agri.	Pass Marks	32
Year / Part	I / I	Time	3 hrs.

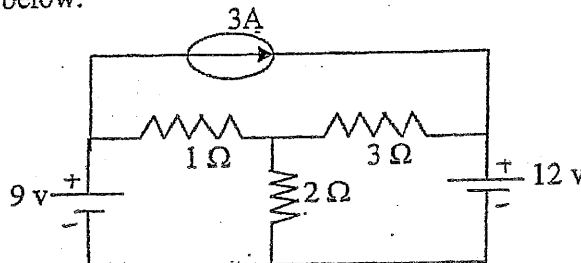
*Subject: - Basic Electrical Engineering (EE401)*

- ✓ Candidates are required to give their answers in their own words as far as practicable.
- ✓ Attempt All questions.
- ✓ The figures in the margin indicate Full Marks.
- ✓ Assume suitable data if necessary.

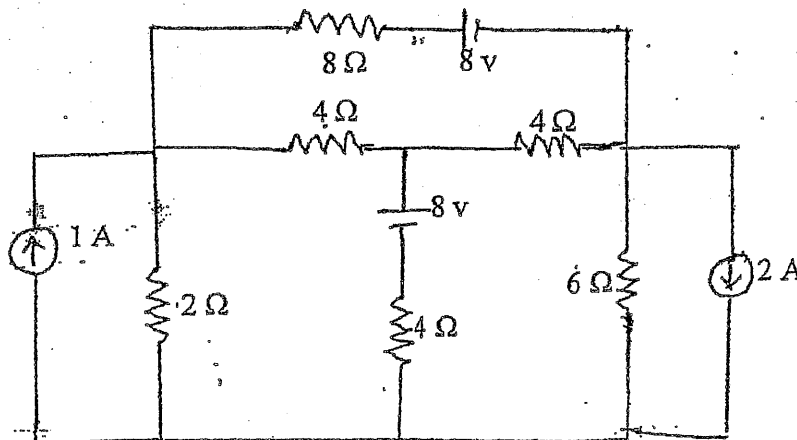
1. a) What is source transformation? Explain with the help of an example. [4]
- b) A coil of stranded copper wire having a resistance of  $12\Omega$  at  $25^\circ\text{C}$  is embedded in the core of a large transformer supplied at 230 V. After the transformer has been in service for several hours, the resistance of the coil is found to be  $13.4\Omega$ . What is the temperature of the core? Also find the power rating of the resistance. Assume temperature coefficient of wire as  $0.00125/^\circ\text{C}$  at  $15^\circ\text{C}$ . [6]
- c) Find  $V_{xy}$  in the following circuit diagram. [6]



2. a) Use loop current method to calculate the current through the  $2\Omega$  resistance for the network shown below. [6]



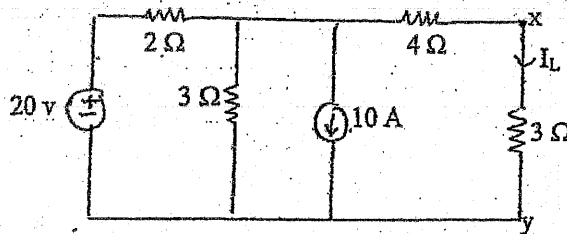
- b) Solve the given network with nodal analysis to find voltage drop on  $8\Omega$  resistor. [6]



- c) State and explain Norton's theorem with suitable example. [4]

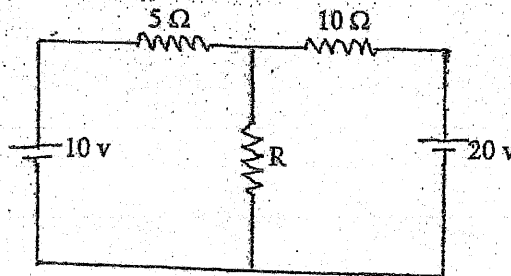
3. a) Find power dissipated in  $3\ \Omega$  resistor using Norton's theorem.

[6]



- b) Calculate the value of 'R' such that maximum power will be absorbed by it in the given circuit.

[6]

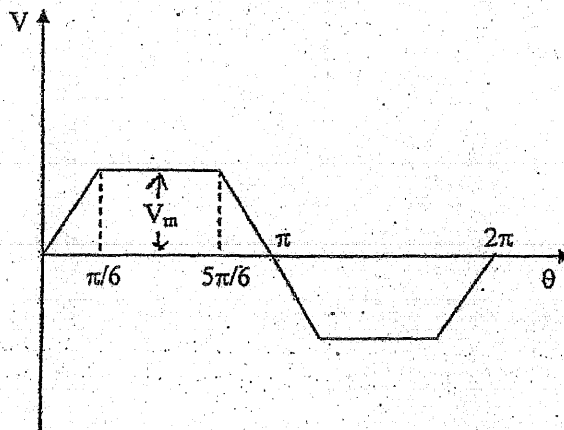


- c) What is inductance? Derive the expression for two inductances in series, with mutual flux aiding each other.

[4]

4. a) Calculate the average (half period) value and rms value of the waveform shown below.

[4]

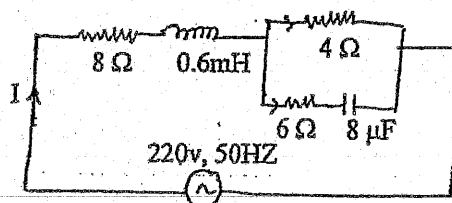


- b) An alternating source of emf  $v = 200\sin(314t)$  volts is applied to a practical coil with resistance  $20\ \Omega$  and inductance  $0.1\ \text{H}$  respectively. Determine (i) expression for instantaneous current and power factor (ii) active reactive and apparent power of circuit (iii) voltage drop on resistor and inductor and (iv) construct phasor diagram for above circuit.

[6]

- c) Find current flowing in each branches of the following circuit:

[6]



5. a) A 400V, 50 HZ, 3 phase induction motor takes 60 KW power from supply mains at 0.8 power factor lagging. Calculate the capacitance per phase and KVAR rating per phase of capacitor in order to improve the power factor to 0.9 lagging using (i) star connected capacitor bank and (ii) Delta connected capacitor bank. [8]
- b) Define phase order and explain its significance. A three phase balanced star connected load with  $(6+j8)$  ohm per phase is supplied by 400V, 50 HZ three phase source. Find the line and phase currents and the total power dissipated in the load. [2+6]

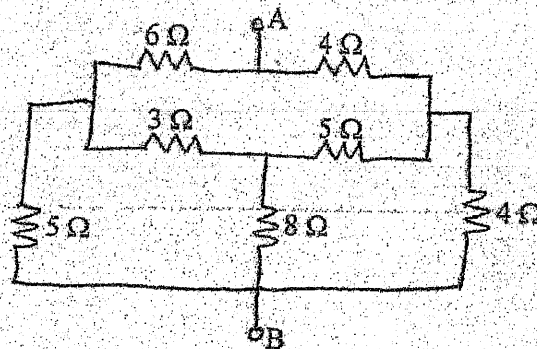
\*\*\*

Exam.	B.E.		
Level	BE	Full Marks	80.
Programme	BEL, BEX, BAME, BCT, BIE, B.Agric.	Pass Marks	32
Year / Part	I / I	Time	3 hrs.

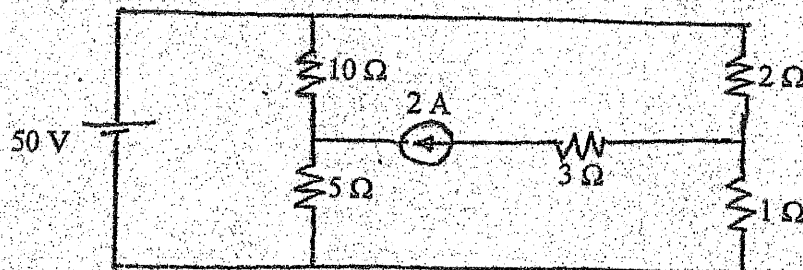
**Subject: - Basic Electrical Engineering (EE401)**

- ✓ Candidates are required to give their answers in their own words as far as practicable.
- ✓ Attempt All questions.
- ✓ The figures in the margin indicate Full Marks.
- ✓ Assume suitable data if necessary.

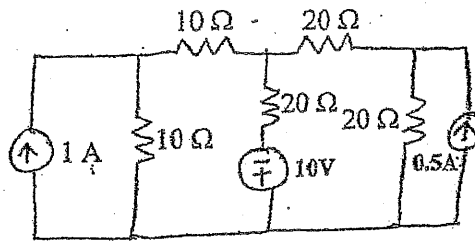
1. a) What do you mean by ideal and practical voltage and current source? Explain the method for converting practical voltage source into current source and vice versa. [5]
- b) A 60 watt, 240 V incandescent filament lamp is switched on at 20°C. The operating temperature of the filament is 2000°C. Determine the current taken by the lamp at the instant of switching ON. The temperature coefficient of resistance of the filament material is 0.0045°/k. [6]
- c) A circuit containing three resistors with resistances 12Ω, 18Ω and 36Ω respectively joined in parallel is connected in series with a fourth resistance. The whole circuit is supplied at 60V and it is found that power dissipated in 12Ω resistance is 36watt. Determine the value of fourth resistance and the total power dissipated in the group. [5]
2. a) Make comparison table between series and parallel circuit. [4]
- b) For the circuit shown in below figure, determine the resistance between points A and B using star / delta transformation theorem. [6]



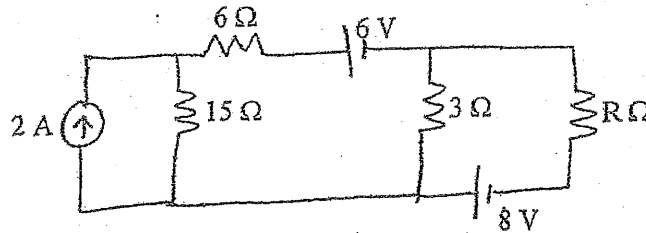
- c) Find all branch currents in the given circuit by using mesh current method. [6]



3. a) Using Nodal analysis, determine currents in each branch of the network shown in below figure. Also find the total power loss in the network. [8]



- b) Find the value of Resistance 'R' to have maximum power transfer in the circuit as shown in below figure. Also obtain the amount of maximum power. [8]



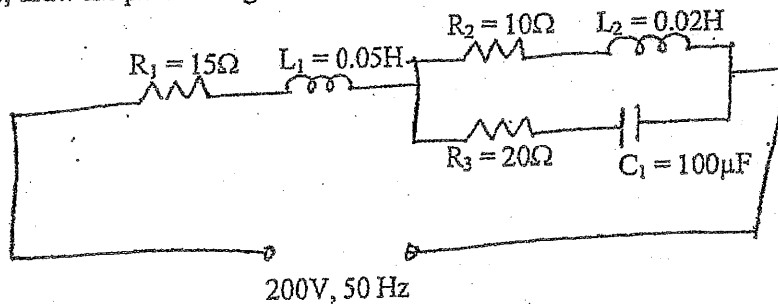
4. a) Two inductances  $L_1$  and  $L_2$  are connected in parallel. Derive the relation showing the equivalent inductance of the combination when mutual flux helps the individual flux. what will be the equivalent inductance of the combination when mutual flux opposes the individual flux? [4]

- b) Two alternating currents represented by the equations  $i_1 = 7\sin\omega t$  and  $i_2 = 10\sin\left(\omega t + \frac{\pi}{2}\right)$  are fed into a common conductor. Find the equation for the resultant current and its RMS value. [4]

- c) Below Figure shows a series parallel circuit. Find: [8]

- (i) total impedance
- (ii) current drawn from the circuit
- (iii) voltage across the parallel branches
- (iv) current flowing through each parallel branch
- (v) power factor
- (vi) Active, reactive and apparent power

Also, draw the phasor diagram of the circuit.



5. a) A fluorescent lamp takes a current of 0.75A when connected across a 240V, 50Hz a.c supply. The power consumed by the lamp is 80 watt. Calculate the value of the capacitance to be connected in parallel with the lamp to improve the power factor to (i) unity (ii) 0.95 lagging. [6]
- b) The following balanced three phase loads are connected to a 415 V, three phase, four wire supply. [4]
- (i) 160 kVA at 0.7 power factor lagging
  - (ii) 50 kVA at 0.65 power factor leading
  - (iii) 50 kW at unity power factor
- Calculate (a) the total load in kVA (b) the line current (c) the combined power factor
- c) Prove that sum of the readings of two wattmeters is equal to the total three phase power in measurement of power of 3-phase circuit by 2 wattmeter method. [6]

\*\*\*

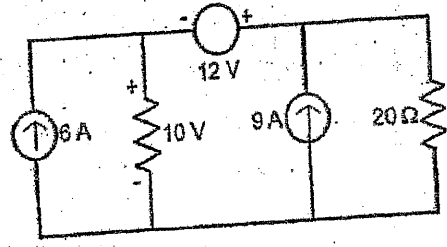


Exam.	Regular		
Level	BE	Full Marks	80
Programme	BEL, BEX, BAME, BCT, BIE, B.Agric.	Pass Marks	32
Year / Part	I / I	Time	3 hrs.

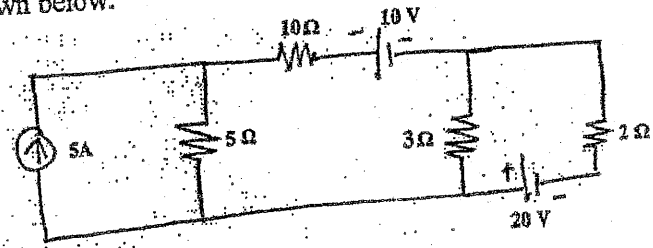
**Subject: - Basic Electrical Engineering (EE401)**

- ✓ Candidates are required to give their answers in their own words as far as practicable.
- ✓ Attempt All questions.
- ✓ The figures in the margin indicate Full Marks.
- ✓ Assume suitable data if necessary.

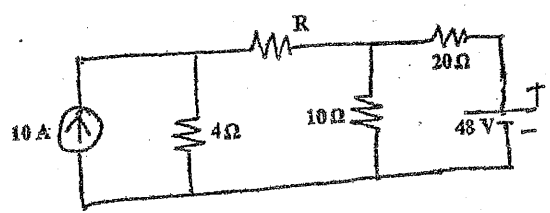
1. a) Describe the open circuit, close circuit and short circuit with diagram. [4]
- b) Two conductors, one of copper and the other of iron are connected in parallel and at 20°C carry equal currents. What proportion of current will pass through each, if the temperature is raised to 100 °C? Assume temperature coefficient of resistance at 20 °C for copper as 0.0042 per °C and for iron as 0.006 per °C. [6]
- c) A direct current circuit comprises two resistors A of value 25Ω and B of unknown value, connected in parallel together with a third resistor C of value 5Ω connected in series with the parallel group. The potential difference across C is found to be 90V. If the total power in the circuit is 4320 watt. Calculate (i) the value of resistor B, (ii) the voltage applied to the ends of the whole circuit, (iii) the current in each resistor. [6]
2. a) Using mesh analysis, calculate the voltage across the 20 Ω resistor shown in the figure below. [6]



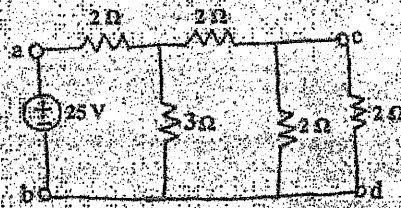
- b) Use the nodal voltage method to find the current flowing through 10Ω resistor for the network shown below. [6]



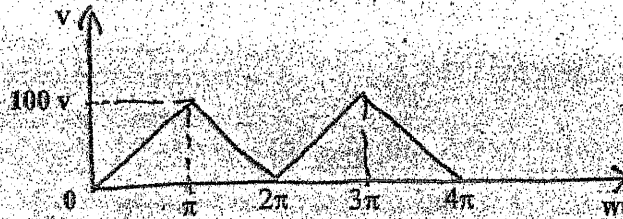
- c) State and explain thevenin's theorem with suitable example. [4]
3. a) What is the value of R such that maximum power is transferred to it? Find the value of this maximum power for the circuit shown below. [6]



- b) State reciprocity theorem. Verify the reciprocity theorem for the network shown in figure below in branch cd. [6]



- c) Define capacitance and derive relation for connection of capacitors in series. [4]
4. a) Calculate the form factor and peak factor of the following triangular waveform. [4]



- b) A choke coil having a resistance of  $10\Omega$  and inductance of  $0.05\text{H}$  is connected in series with a condenser of  $100\mu\text{F}$ . The whole circuit has been connected to  $200\text{V}$ ,  $50\text{Hz}$  supply. Calculate (i) impedance (ii) current (iii) power factor (iv) power input (v) Apparent and reactive power of circuit. [6]
- c) A  $10\text{ohm}$  resistor, a  $31.8\text{mH}$  inductor and  $31.8\mu\text{F}$  capacitor are connected in parallel and supplied from a  $200\text{V}$ ,  $50\text{Hz}$  supply source. Calculate the supply current and power factor and also calculate current in each branch. [6]
5. a) Define power factor and explain the disadvantages and causes of low power factor? [4]
- b) A balanced star-connected load of  $(8 + j6)\Omega$  per phase is connected to a balanced 3 phase  $400\text{V}$ ,  $50\text{Hz}$  supply. Find the line current, phase current and total power consumed. Take RYB phase sequence. [6]
- c) With the help of connection and phasor diagrams, show that the power of a balanced three phase load can be determined using two-wattmeters. [6]

\*\*\*

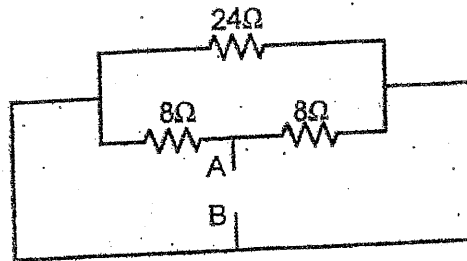
2073 Shrawan

Exam.	New Back (2066 & Later Batch)		
Level	BE	Full Marks	80
Programme	BEL, BEX, BCT, BAME, BIE, B. Agri.	Pass Marks	32
Year / Part	1 / 1	Time	3 hrs.

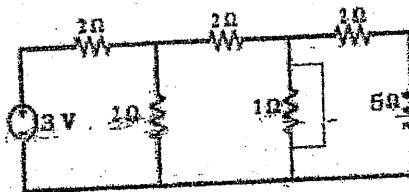
**Subject:** - Basic Electrical Engineering (EE401)

- ✓ Candidates are required to give their answers in their own words as far as practicable.
- ✓ Attempt All questions.
- ✓ The figures in the margin indicate Full Marks.
- ✓ Assume suitable data if necessary.

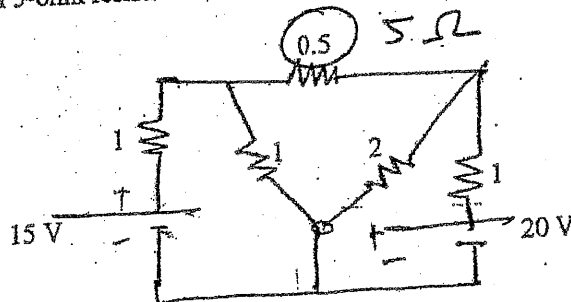
1. a) A coil has a resistance of 100 ohms, when the temperature is 20°C and 110 ohms when the temperature is 45° C. Find temperature rise when its resistance is 124 ohms, and surrounding temperature is 15° C. [6]
- b) Find the equivalent resistance between A and B for the network shown in figure below. [4]



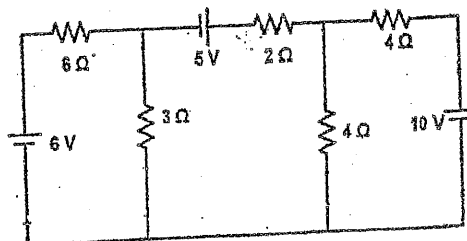
- c) Find current from the source in the following circuit diagram. [6]



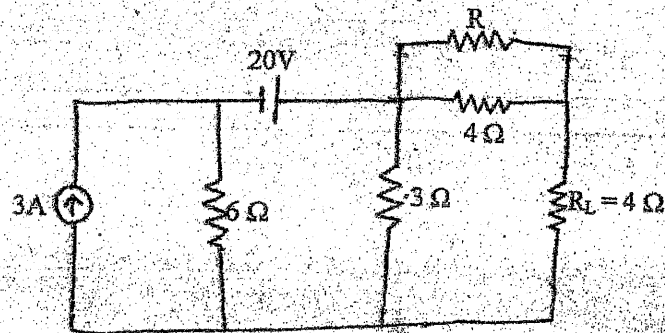
2. a) Find the current in 5-ohm resistor in the network shown below by using superposition theorem. [8]



- b) Find the branch currents in the circuit of figure below by using nodal analysis. [8]

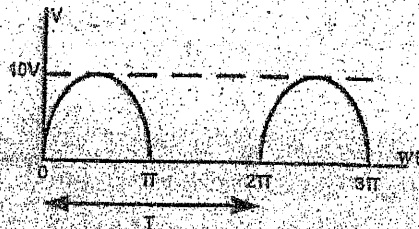


3. a) Find the value of Resistance 'R' such that the load resistance 'R<sub>L</sub>' which is equal to 4 Ω, will deliver maximum power. Also find that maximum power. [8]

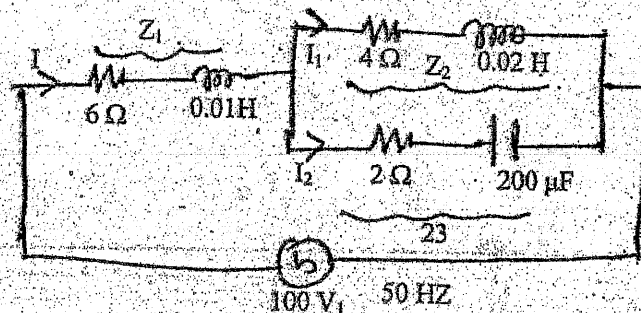


- b) Derive an equation for inductance L, in terms of flux linkages and current change. [4]

- c) Calculate the (i) average value and (ii) RMS value of voltage wave shown in figure below: [4]



4. a) Determine the value of current I<sub>1</sub>, I<sub>2</sub> and I and overall factor of the circuit shown in figure below for series and parallel circuit. Also draw the phasor diagram and find the total power consumed by the circuit. [8]



- b) A coil is connected in series with a non-inductive resistance of 30Ω across 240V, 50Hz, 1-φ supply. The reading of voltmeters across the coil is 180 V and across the resistance is 130 V. Calculate, [8]

- Inductance of coil
- Resistance of coil
- Power absorbed by coil
- Power absorbed by whole circuit

5. a) Define power factor and explain why in general it should be kept on high as possible in power supply system. [8]

- b) Three similar coils each of resistance 7Ω and inductance of 0.03 H are connected in Delta to a 400 V, 3 phase, 50 Hz supply. Calculate the line current and the total power consumed. [8]