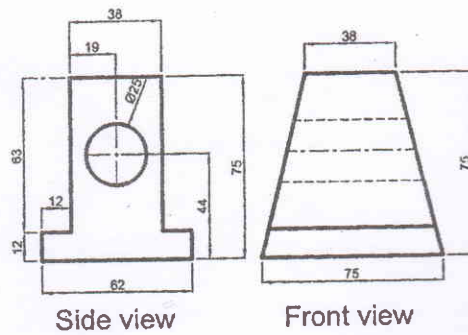


Exam.	Regular		
Level	BE	Full Marks	40
Programme	All (Except B.Arch.)	Pass Marks	16
Year / Part	I / II	Time	3 hrs.

Subject: - Engineering Drawing II (ME451)

- ✓ Candidates are required to give their answers in their own words as far as practicable.
- ✓ Attempt All questions.
- ✓ The figures in the margin indicate Full Marks.
- ✓ Assume suitable data if necessary.

1. Draw an Isometric view of a solid, referring the front and side view shown in figure below. [10]

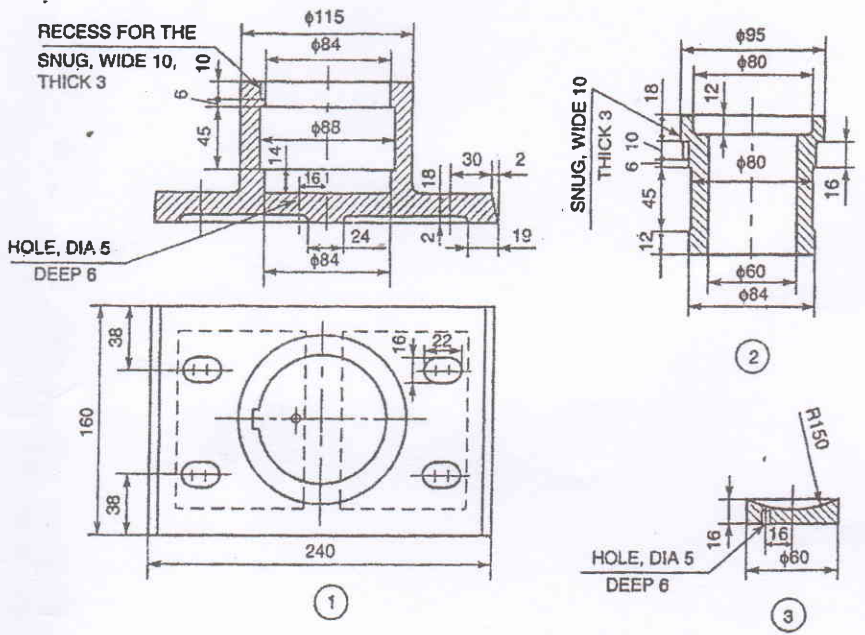


2. A square base prism of base 40×40 mm and height 60 mm is lying in the ground. One of its side of base make angle 30° with PP and nearest corner is 15 mm behind the PP. The station point is 60 mm in front of PP and 80 mm above the ground plane and opposite to the nearest vertical edge. Draw its perspective view. [5]
3. Determine the type of fit and maximum metal condition designated by H8/f7 for the basic size of 30mm. Fundamental deviation for f is 0.003 mm below the basic size (zero line) respectively. International Tolerance grade for 8 and 7 are 0.039 mm and 0.025 mm respectively. [5]

OR

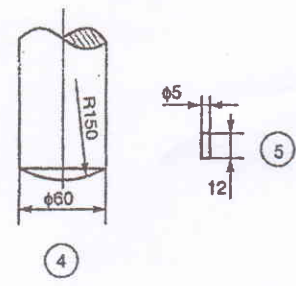
Draw the sketch the top view and sectional front view for double row double strap riveted joint for 10 mm thick iron plate finding the diameter of rivet.

4. Draw assembled Top view and Sectional Front of the given Detail drawing the Footstep Bearing in figure below. [15]

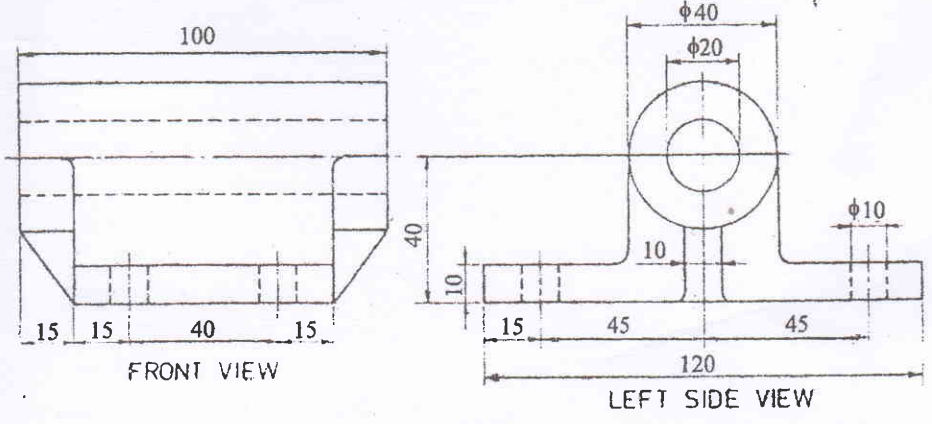


Parts list

Sl. No.	Name	Matl.	Qty.
1	Body	Cast iron	1
2	Bush	Brass	1
3	Disc	P Bronze	1
4	Shaft	Mild steel	1
5	Pin	Mild steel	1



5. Sketch the sectional Front view of figure below. [5]



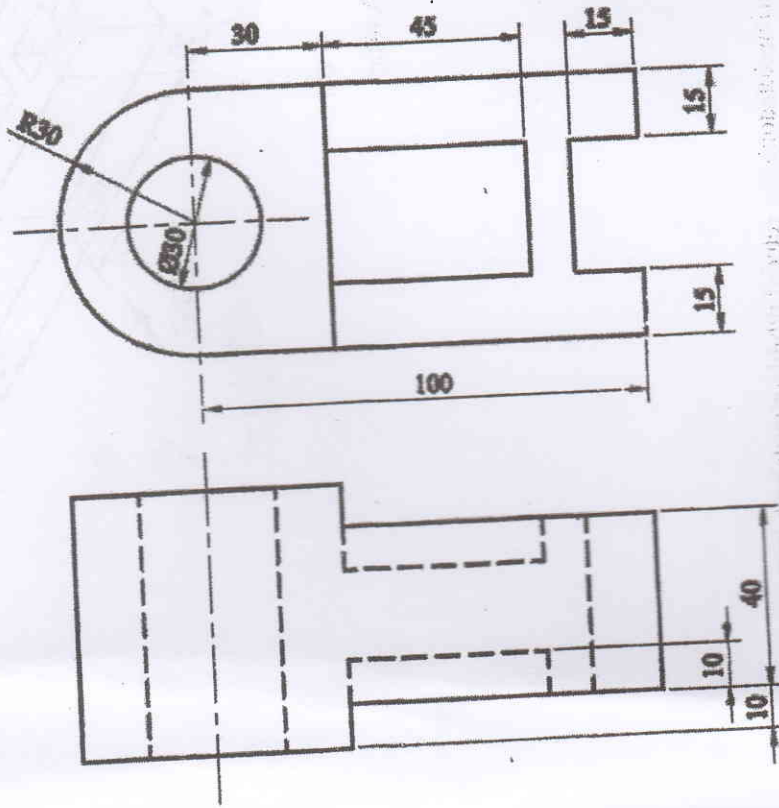
OR

- Sketch the graphical symbol for following item.
- a) NPN Transistor
 - b) Transformer
 - c) Hill Contour
 - d) Single phase motor
 - e) Siren
 - f) Internal Thread
 - g) Elbow 90°
 - h) Fillet
 - i) Surface to be obtained by filing
 - k) Highway bridge

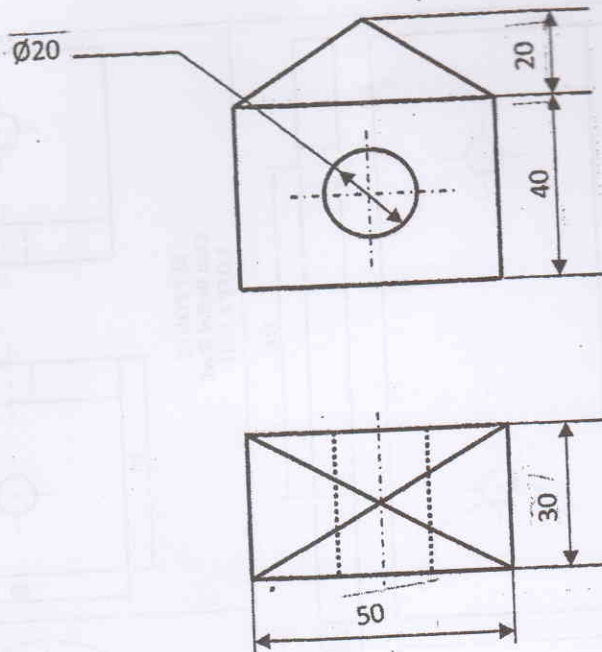
Subject: - Engineering Drawing II (ME451)

- ✓ Candidates are required to give their answers in their own words as far as practicable.
- ✓ Attempt **All** questions.
- ✓ The figures in the margin indicate **Full Marks**.
- ✓ Assume suitable data if necessary.

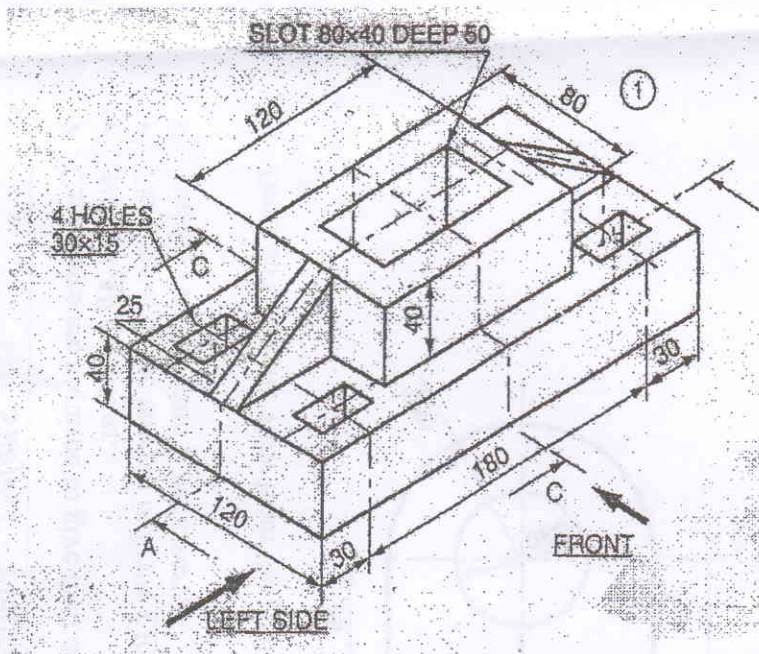
1. Draw an isometric view from the given orthographic views as shown in figure below: [10]



2. Draw the angular perspective view of figure below: [5]



3. Orthographic projection of the object is shown in figure below. Draw the sectional view at section A-A. [5]



OR

Draw the standard symbols for the following:

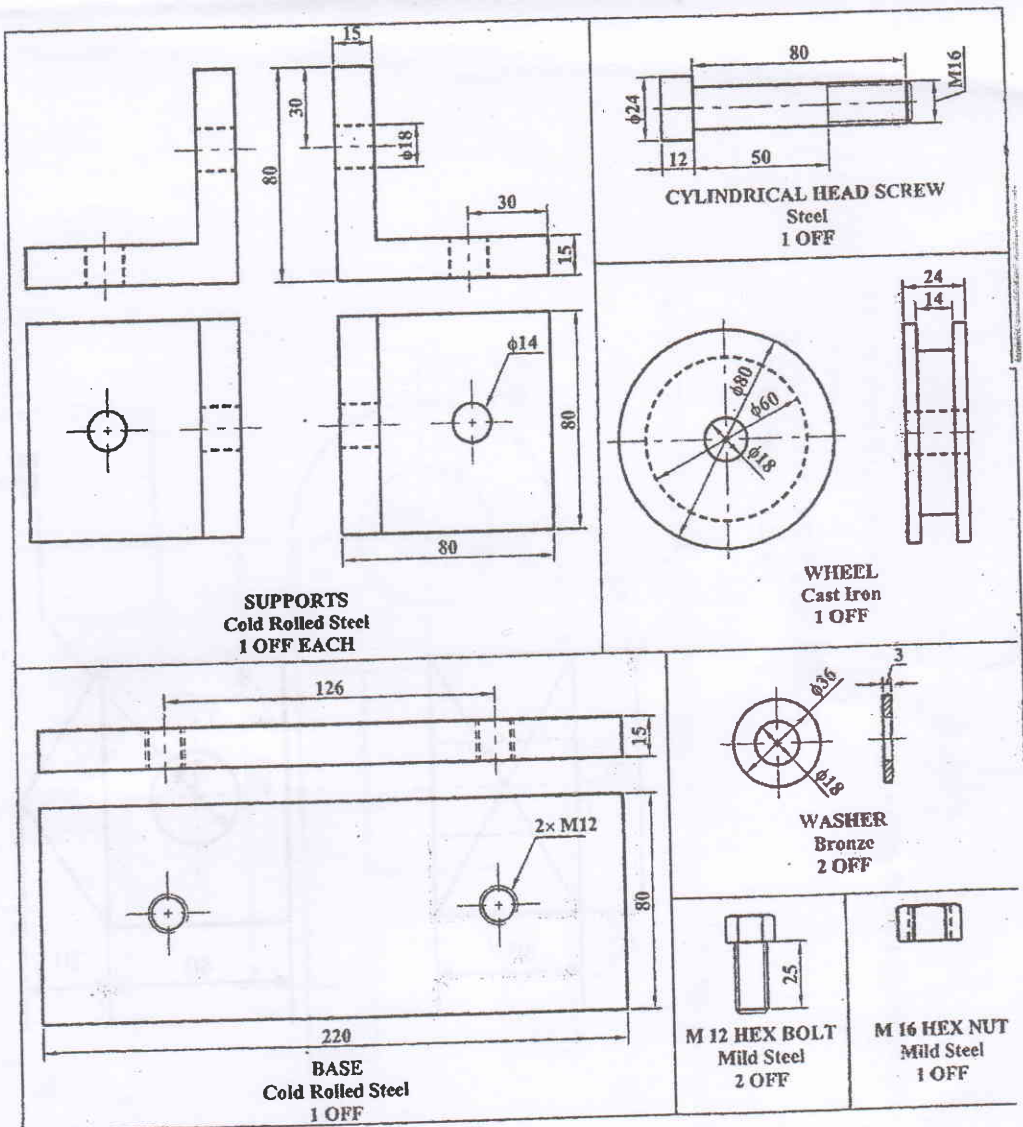
- External Thread
- First angle projection
- Projection welding
- Nipple
- Material removed by milling
- Maximum material condition
- Thermistor
- Three phase motor
- Channel
- Church

4. Sketch the top view and sectional front view for double riveted double strap chain butt joint. [5]

OR

Make complete fit analysis of the following symbols 100H11/p7; fundamental deviations for H and p are 0.00 mm and 0.037 mm respectively. ITG for 11 and 7 are 0.22 mm and 0.035 mm respectively. Indicate type of fit, allowance and type of system.

5. Draw the assembled sectional front view from the following detail drawings shown in figure below. [15]

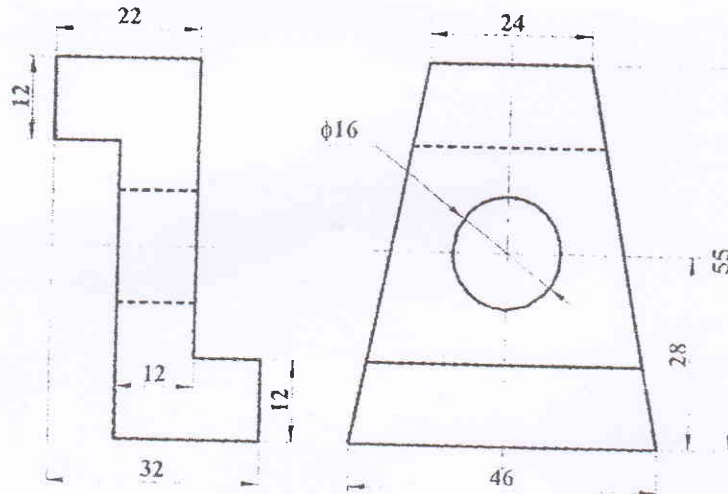


Exam.	Regular		
Level	BE	Full Marks	40
Programme	All (Except B. Arch)	Pass Marks	16
Year / Part	I / II	Time	3 hrs.

Subject: - Engineering Drawing II (ME451)

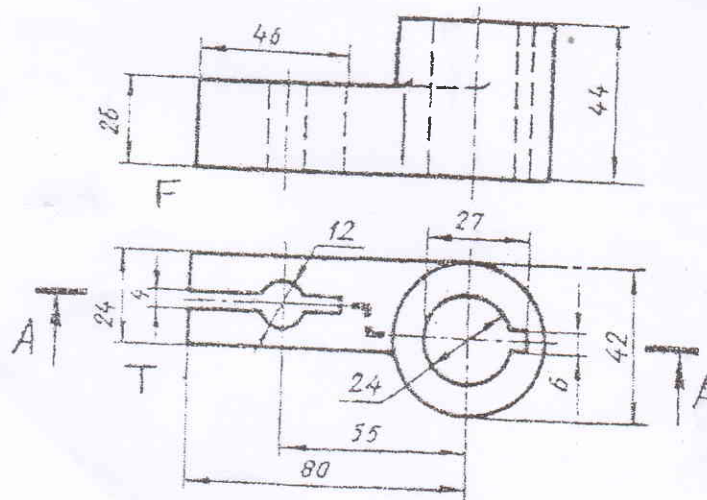
- ✓ Candidates are required to give their answers in their own words as far as practicable.
- ✓ Attempt **All** questions.
- ✓ The figures in the margin indicate **Full Marks**.
- ✓ **Necessary figures are attached herewith.**
- ✓ Assume suitable data if necessary.

1. Orthographic views of an object are shown in figure below, Draw its isometric view. [10]



2. A solid square prism of side base 30 mm and height 40 mm rests with its base on the ground and one of the rectangular faces inclined at 30 degree to the PP. the nearest vertical edges touches the pp. the Station point is 80 mm in front of the pp, 80 mm above the ground and opposite to the nearest vertical edge that touches the pp. Draw the perspective view and indicate main dimensions. [5]

3. Draw sectional front view from the component as shown in figure below. [5]



4. Draw the front view and full sectional top view of double riveted double strap chain type butt joint. [5]

OR

Determine the limits of dimensions and types of fit designed by 50H8/d9. Assume fundamental deviation for H and d as 0 micrometers above the size and 0.080 mm below the basic size line respectively and international tolerance grade for 8 and 9 as 0.039 mm and 0.062 mm respectively.

5. Draw the assembled sectional front view from the detail drawing in figure 5 (attach with Question) [15]

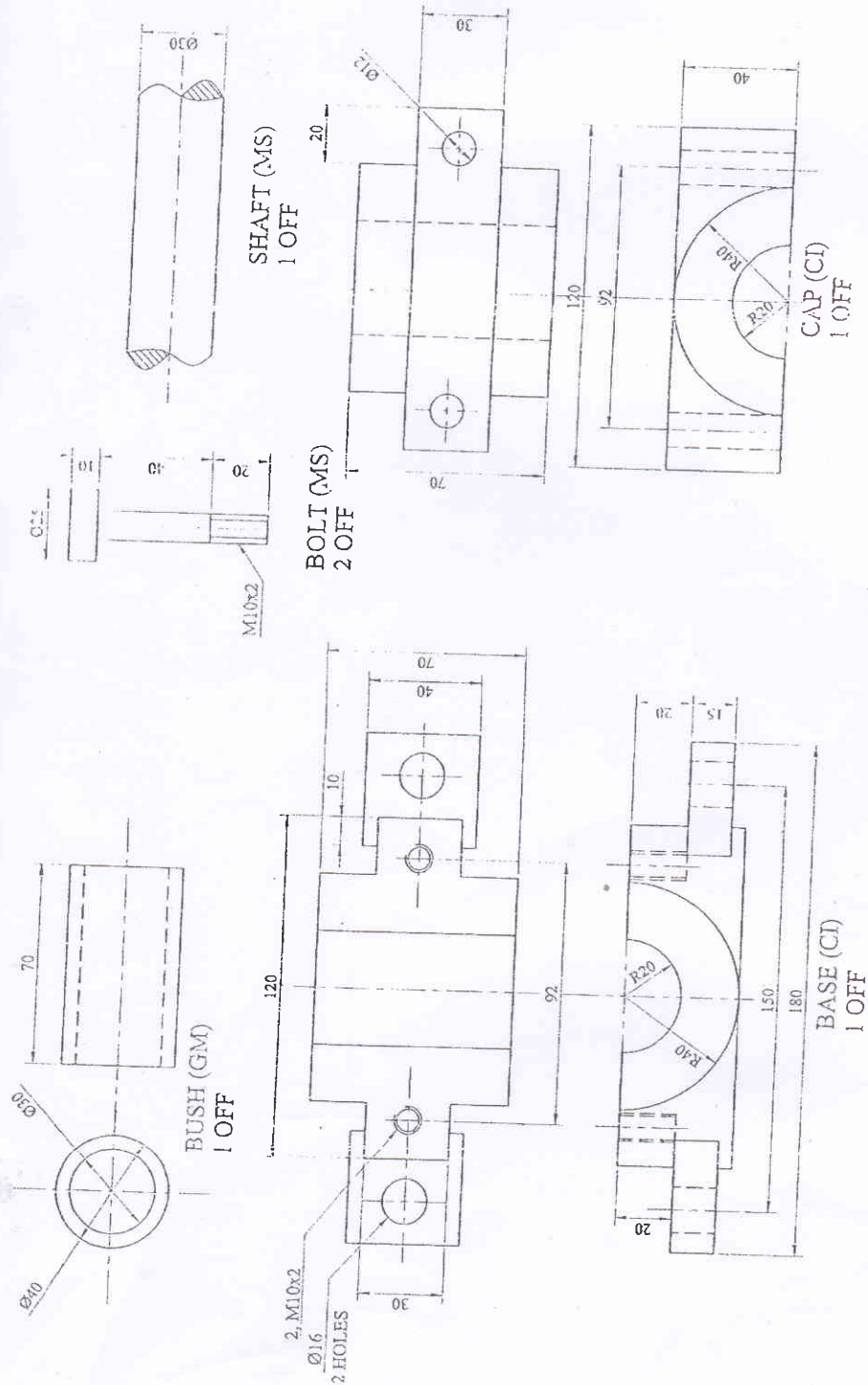


Figure 5

Exam.	New Back (2066 & Later Batch)		
Level	BE	Full Marks	40
Programme	All (Except B. Arch)	Pass Marks	16
Year / Part	I / II	Time	3 hrs.

Subject: - Engineering Drawing II (ME451)

- ✓ Candidates are required to give their answers in their own words as far as practicable.
- ✓ Attempt **All** questions.
- ✓ The figures in the margin indicate **Full Marks**.
- ✓ Assume suitable data if necessary.

1. Draw an isometric view from the given orthographic views as shown in figure 1.

[10]

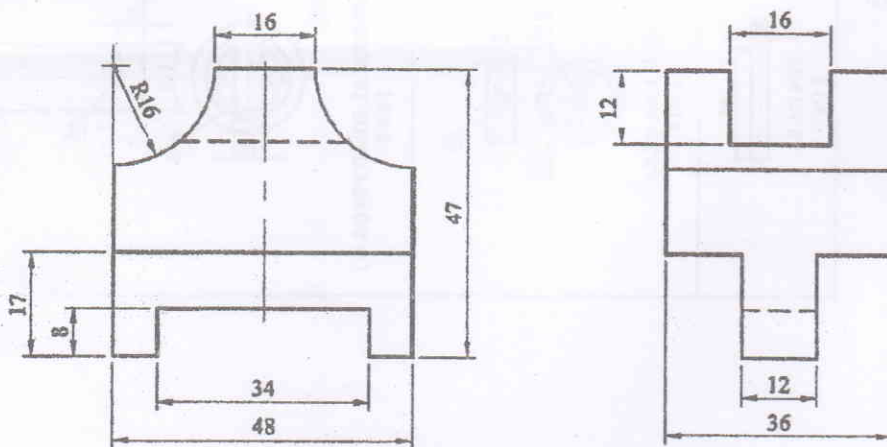


Figure 1

2. A model of steps has 3 steps of 15mm tread and rise 10mm. The steps measure 60mm wide. The vertical edge of bottom step, which is nearer to the picture plane, is 25mm behind PP and the width of steps recede to the left at an angle of 30° to PP. The station point is 100 mm in front of PP and 60 mm above the ground plane and 30 mm to the right of the vertical edge, which is nearest to PP. Draw the perspective view of the model.

[6]

3. Draw assembly drawing from the machine components from figure 3.

[14]

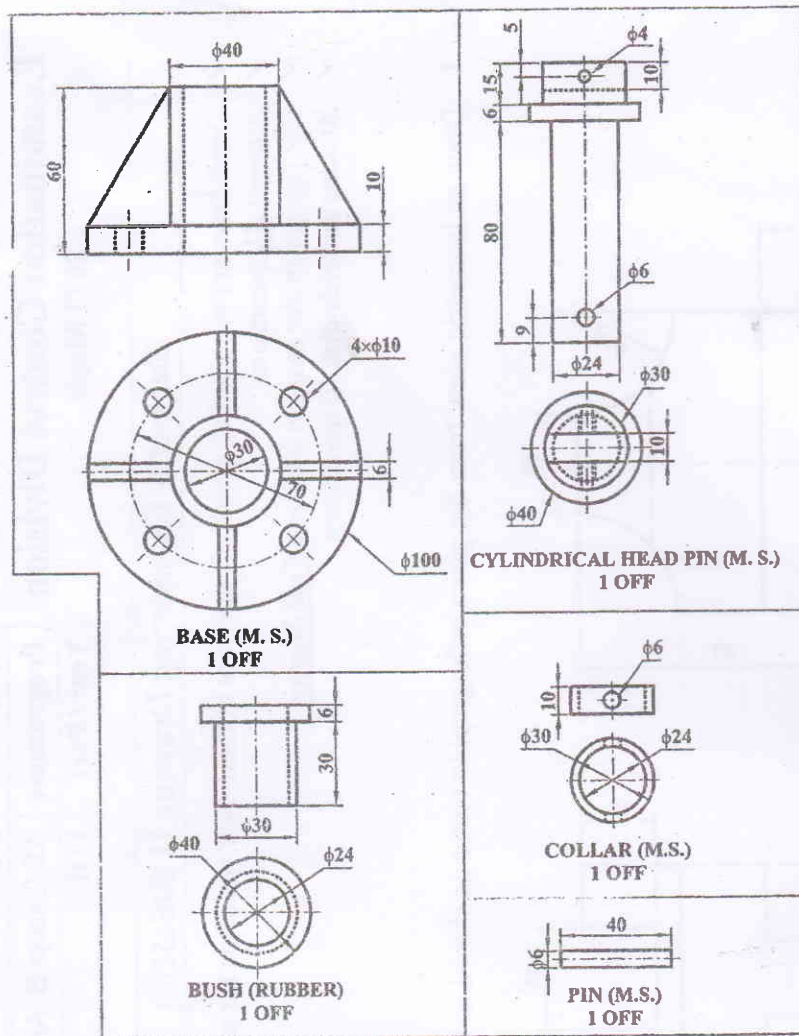


Figure 3

4. Sketch the top view and sectional front view for double row, single strap, chain type butt riveted joint.

[5]

OR

Make complete fit analysis of the following symbols 60S6/h12.F.D. for S and h are 0.042 mm and 0.00 mm respectively. ITG for 6 and 12 are 0.019 mm and 0.30 mm respectively. Indicate type of fit, allowance and type of system.

5. Draw removed or rotated section at A-A and B-B from the components as shown in figure 5. [5]

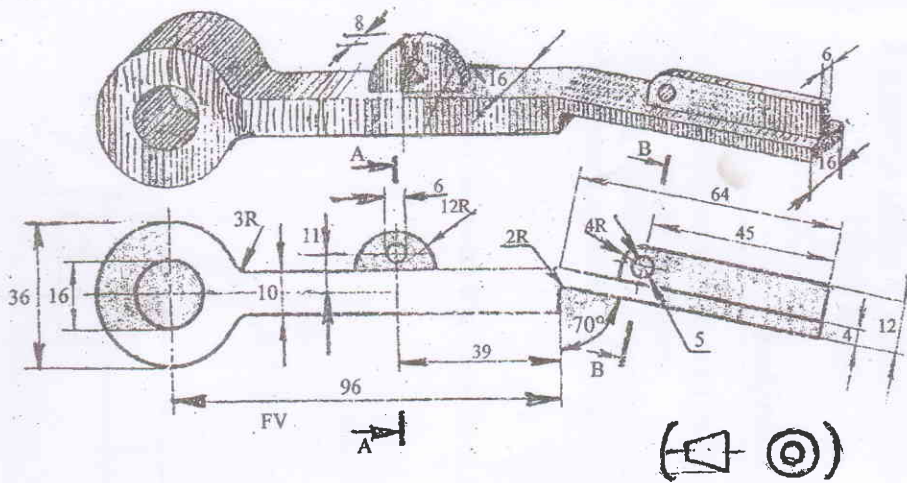


Figure 5

OR

Sketch the symbol of following Items

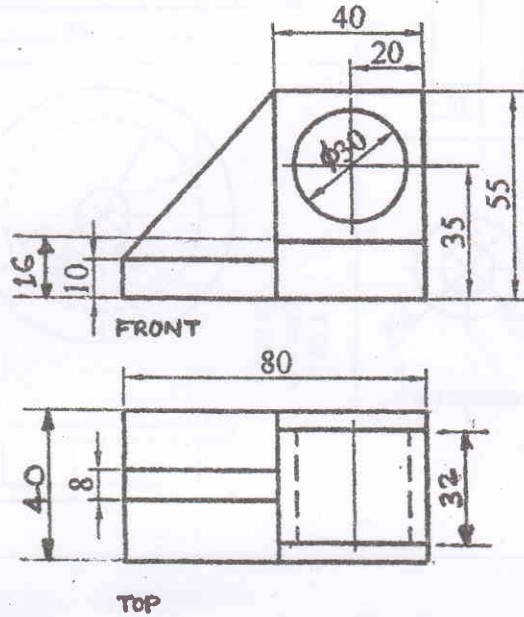
- | | |
|--------------------------------|---------------------|
| a) Material removed by milling | (f) Transistor |
| b) 90° Elbow | (g) Capacitor |
| c) Maximum Material Condition | (h) Stud |
| d) Gumba | (i) External Thread |
| e) River | (j) Lap Weld |

Exam.	Regular		
Level	BE	Full Marks	40
Programme	All (Except B.Arch.)	Pass Marks	16
Year / Part	I / II	Time	3 hrs.

Subject: - Engineering Drawing II (ME451)

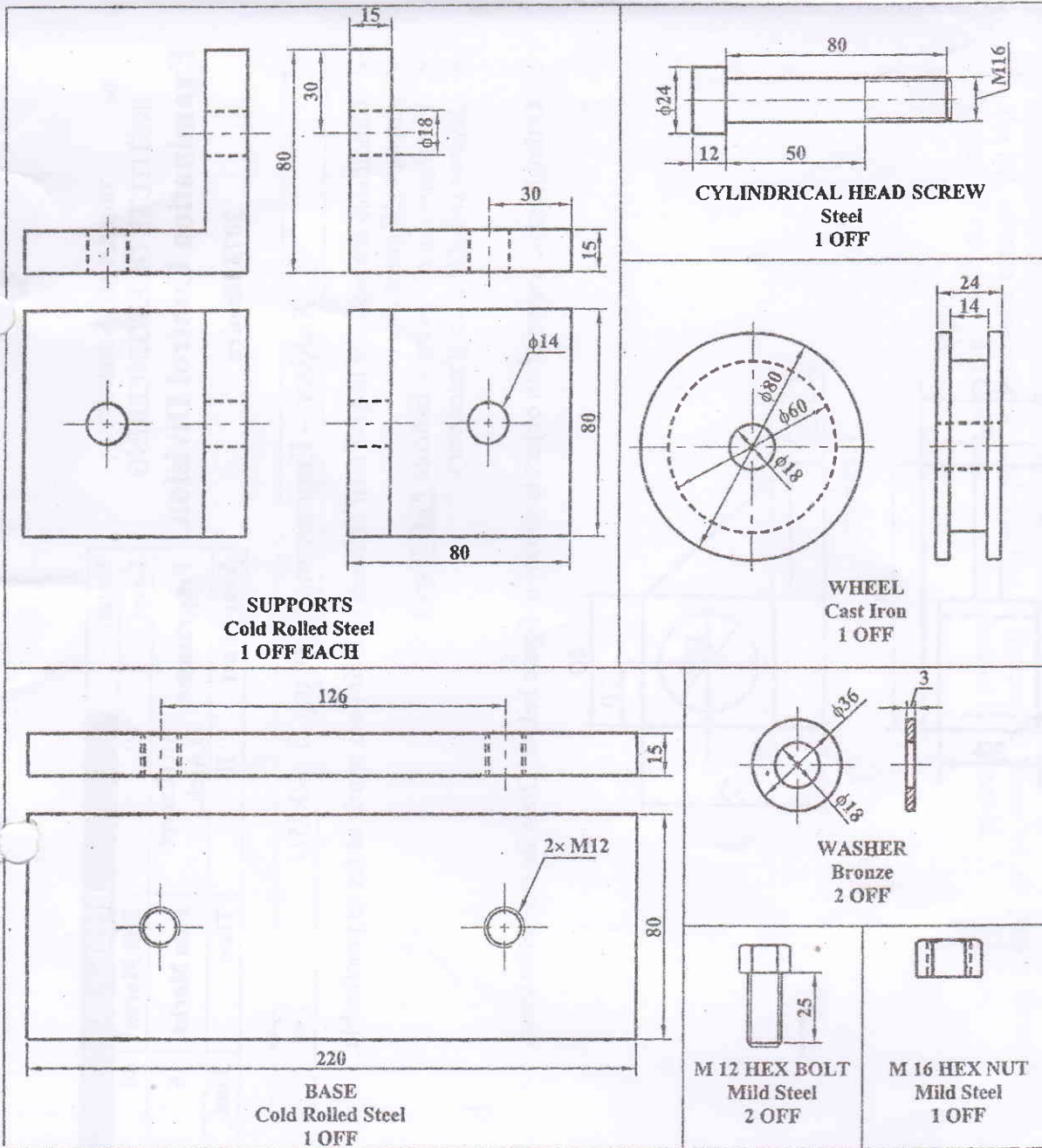
- ✓ Candidates are required to give their answers in their own words as far as practicable.
- ✓ Attempt **All** questions.
- ✓ The figures in the margin indicate **Full Marks**.
- ✓ Assume suitable data if necessary.

1. Orthographic views of an object is shown in figure below. Draw its isometric view. [10]



2. A right regular square pyramid, base edge 30 mm and altitude 40 mm rests with its base on the ground and the base edges are equally inclined to the picture plane. The nearest front corner of the base is 10 mm behind the PP. The station point is 45 mm in front of the PP, 60 mm above the ground and lies in the central plane which passes through the vertex of the pyramid. Draw the perspective view of the pyramid. [6]

3. Draw the assembled sectional front view from the following detail drawings shown in figure below. [14]

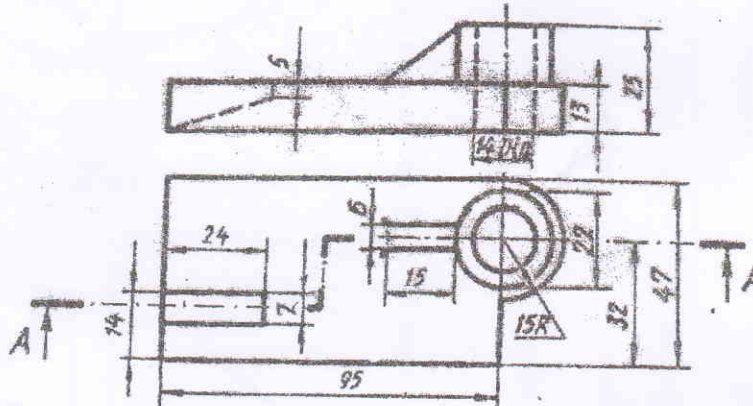


4. Sketch top view and sectional front view of single riveted double strap butt joint. [5]

OR

Determine the limits of dimensions and types of fit designed by 100 H7/s6. Assume fundamental deviation for H and s as 0 micrometers and 0.080 mm above the basic size line respectively and International tolerance grade for 7 and 6 as 0.035 mm and 0.022 mm respectively. [5]

5. Orthographic projection of the object is shown in figure below. Draw the sectional view at section A-A. [5]



OR

Draw the standard symbols for the following.

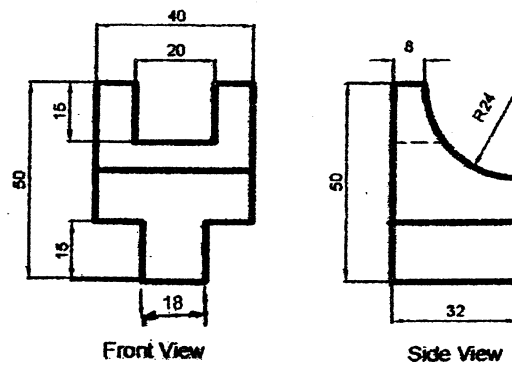
- | | |
|---|-----------------------------|
| a) Internal Thread | b) Third angle projection |
| c) Spot weld | d) Expansion joint |
| e) Surface to be obtained by fine turning | f) Least material condition |
| g) Rectifier | h) Loud speaker |
| i) I - beam | j) School |

Exam.	Regular / Back		
Level	BE	Full Marks	40
Programme	All (Except B.Arch.)	Pass Marks	16
Year / Part	I / II	Time	3 hrs.

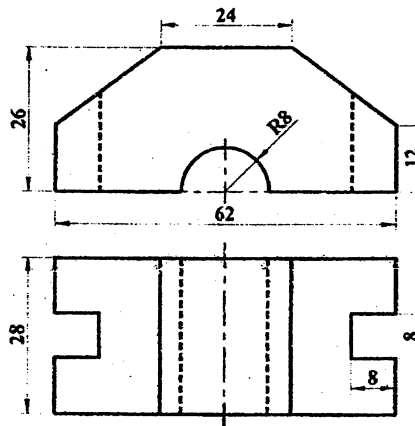
Subject: - Engineering Drawing II (ME451)

- ✓ Candidates are required to give their answers in their own words as far as practicable.
- ✓ Attempt All questions.
- ✓ The figures in the margin indicate Full Marks.
- ✓ Assume suitable data if necessary.

1. From the given front and side view of a solid draw the isometric view. [10]



2. Draw oblique drawing from the given orthographic views as shown in figure below. [5]

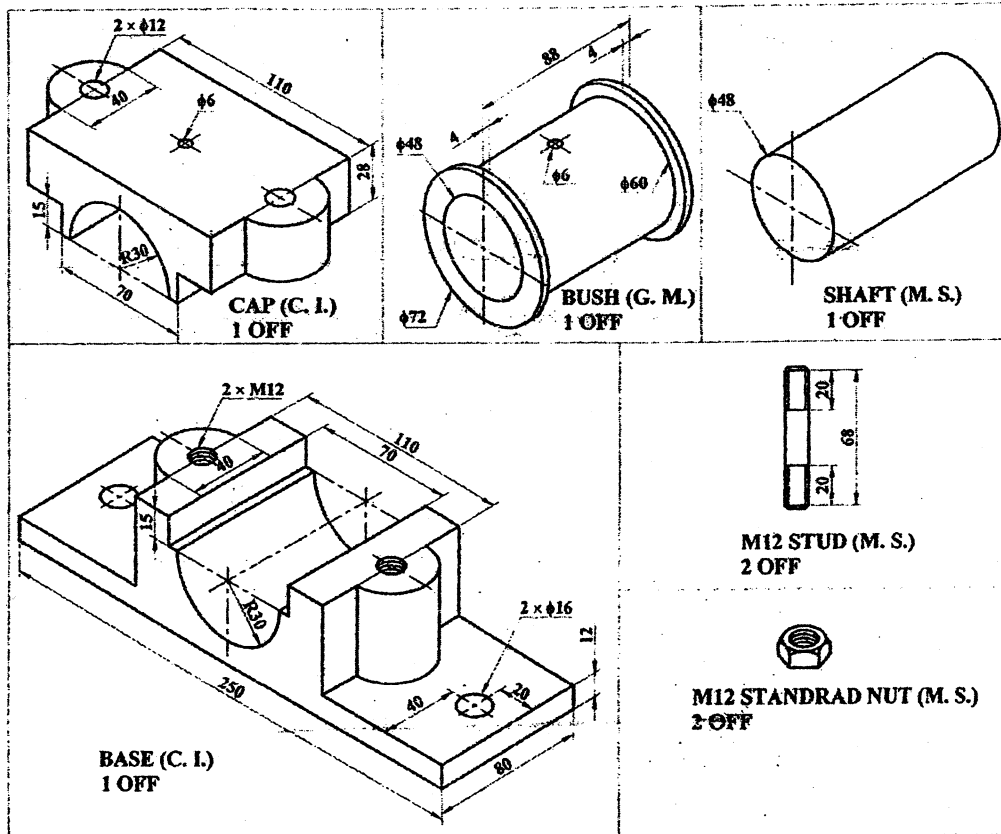


3. Determine the limit, tolerance, allowances and type of fit for 50 H7/p6. The value of fundamental deviation given by H is zero and p is above the basic line and value is 0.032 mm, and international tolerance given by 7 is 0.025 and 6 is 0.016 mm respectively. [4]

OR

Draw the top view and sectional front view of double row zig zag type riveted single strap butt joint for 8 mm thick plate.

4. Figure below shows the details of a split bearing. Draw the assembled front view with section. Take any length for the shaft. [16]

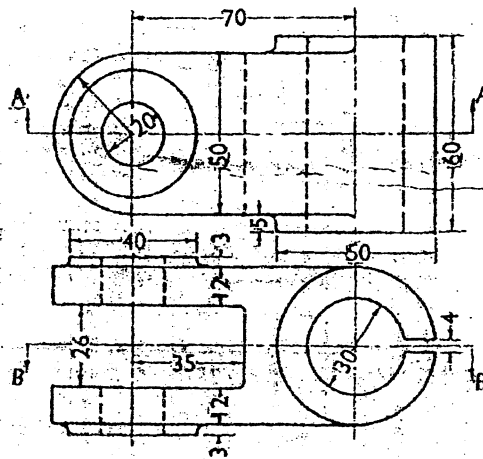


5. Draw the standard symbols for the following: [5]

- | | | |
|---|-------------|----------------|
| a) Surface to be obtained by fine turning | c) Tee | d) Reducer |
| b) Gate valve | f) DC Motor | g) Transformer |
| e) Thermocouple | i) Fuse | j) Speaker |

OR

Orthographic views of a forked end of a machine part are shown in figure below. Draw its sectional front view (Section B-B).



Exam.	New Back (2066 & Later Batch)		
Level	BE	Full Marks	40
Programme	All (Except B.Arch.)	Pass Marks	16
Year / Part	I / II	Time	3 hrs.

Subject: - Engineering Drawing II (ME451)

- ✓ Candidates are required to give their answers in their own words as far as practicable.
- ✓ Attempt All questions.
- ✓ The figures in the margin indicate Full Marks.
- ✓ Necessary figures are attached herewith.
- ✓ Assume suitable data if necessary.

1. Orthographic views of an object are shown in Figure P.1. Draw its isometric view. [9]
2. A cylinder having 70 mm diameter and 40 mm height is surmounted by a square pyramid having side 35 mm and height 50 mm. Draw the angular perspective projection when one of the side of pyramid is 30° inclined and its nearest corner is 30 mm behind the projection plane. Take station point 35 mm in front of projection plane, 25 mm left of nearest corner and 110 mm above the ground level. [6]
3. Sketch the top view and sectional front view of double row, single cover zig zag Butt joint. [5]

OR

Sketch the symbols for the following [5]

- | | |
|------------------------|--------------------------------|
| a) Spot weld | f) Hand set |
| b) Internal thread | g) Temple |
| c) Fan regulator | h) Material removed by turning |
| d) 3-phase transformer | i) Rapids |
| e) Circuit breaker | j) Perpendicular lay |
4. The assembly drawing of Hand Vice is shown in Figure P.4. Draw detail drawing of each component. Assume suitable thickness if necessary. Part list is given below. [15]

Part List

SN	Part Name	Part No.	Quantity
1	Body	1	1
2	Screw	2	1
3	Screw Base	3	1
4	Handle	4	1
5	Handle end	5	2
6	Pin		2

5. Determine limits, tolerance, allowance and types of fit designated by 80 D9/h8. The fundamental deviation of hole is 0.032 mm more than fundamental deviation of shaft. International tolerance grades for 8 and 9 are 0.034 mm and 0.042 mm respectively. [5]

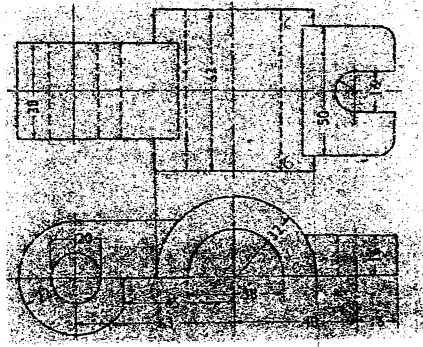


Figure P.1

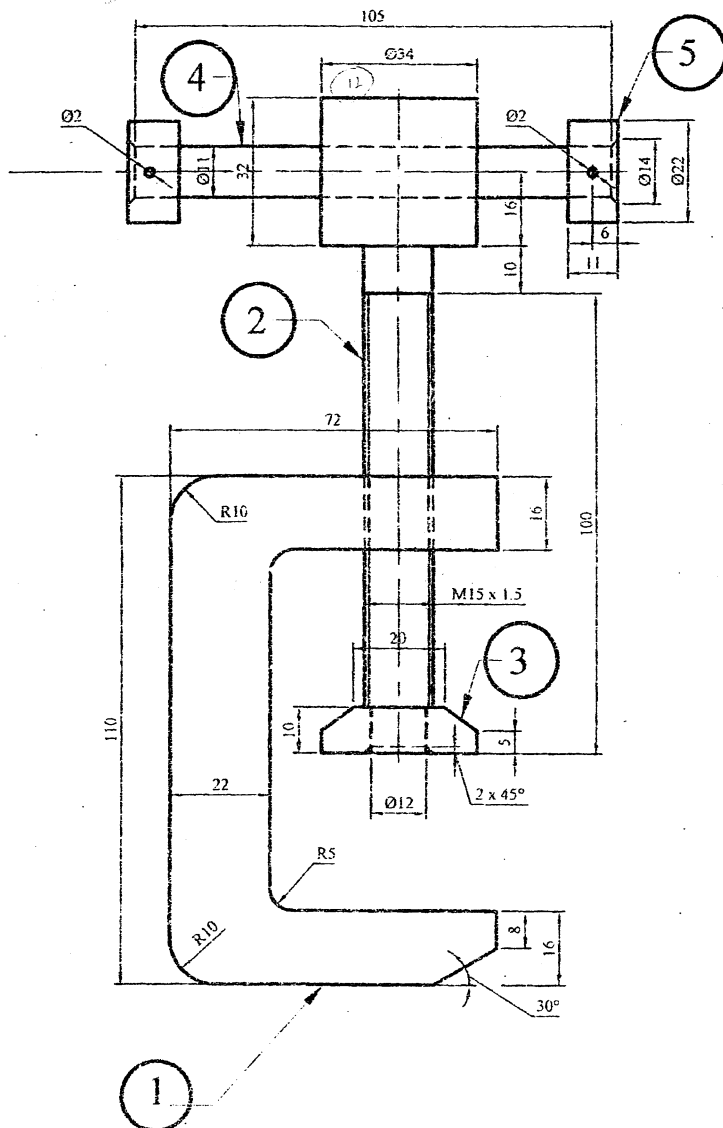


Figure P.4

10/07

Exam.	OLD Back (2065 & Earlier Batch)		
Level	BE	Full Marks	40
Programme	BEL, BEX, BCT, BME, BIE	Pass Marks	16
Year / Part	I / II	Time	3 hrs.

Subject: - Engineering Drawing II (EG481ME)

- ✓ Candidates are required to give their answers in their own words as far as practicable.
- ✓ Attempt All questions.
- ✓ The figures in the margin indicate Full Marks.
- ✓ Assume suitable data if necessary.

1. Draw isometric drawing from the given orthographic views as shown in **Figure P.1**. [10]
2. Draw oblique drawing from the given orthographic views as shown in **Figure P.2**. [6]

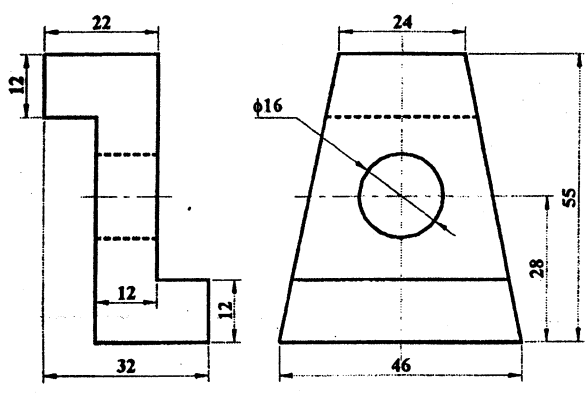


Figure P.1

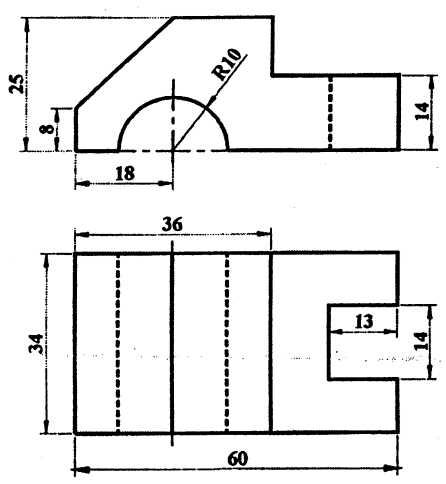


Figure P.2

3. Sketch the top view and sectional front view of single riveted, double strap butt joint. [5]

OR

Determine the limits of dimensions and type for fit designated by H8/c11 for the basic size of 50 mm, assuming fundamental deviation for H and c respectively as 0 μm above the basic size line and 125 μm below the basic size line and international tolerance grades for 8 and 11 as 39 μm and 110 μm.

4. Draw the standard symbols for the following: [5]
 - (a) Union
 - (b) Transformer
 - (c) Circular tube
 - (d) Fuse
 - (e) Elbow
 - (f) Hill Contours
 - (g) Butt weld
 - (h) Coated surface
 - (i) Speaker
 - (j) Internal thread (any view)

5. Draw the assembled front view with section from the following detail drawings shown in Figure P.5. [14]

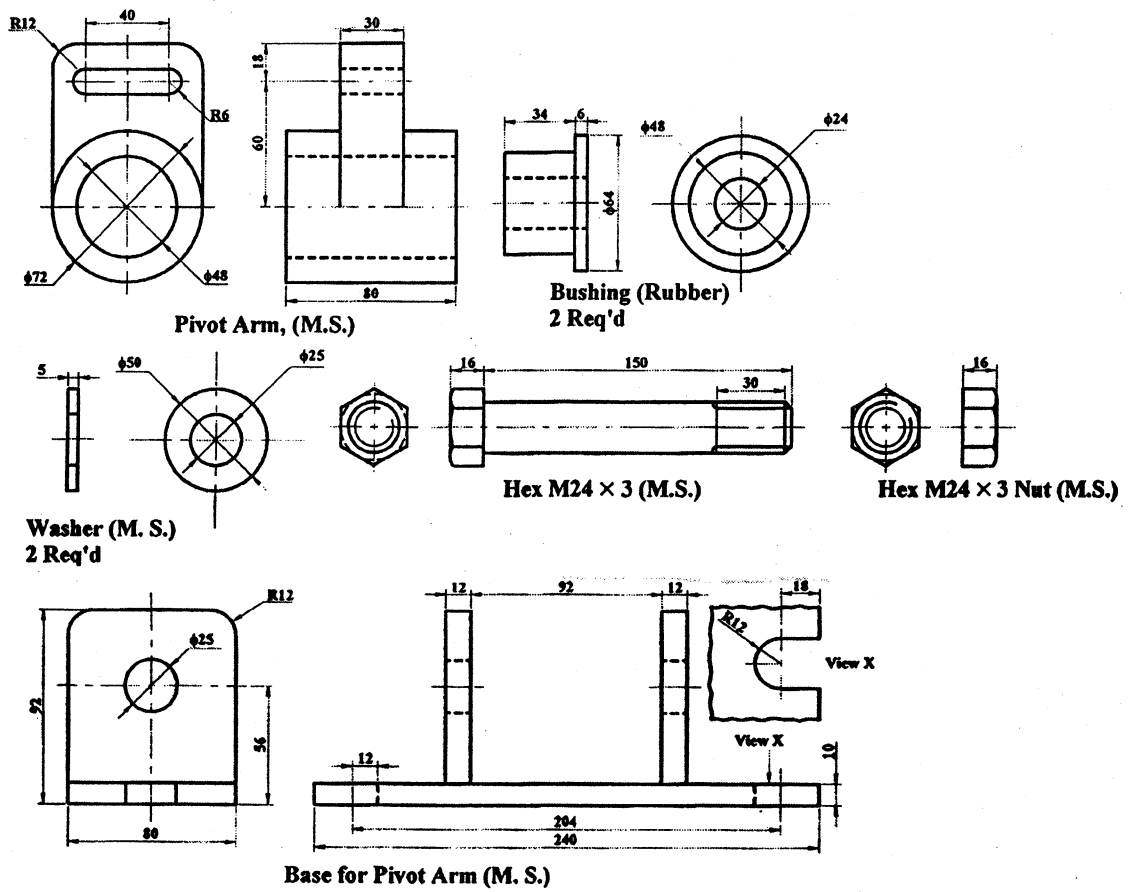


Figure P.5

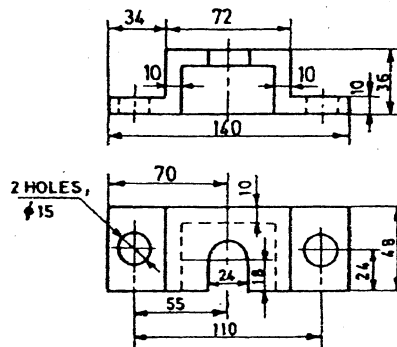
Exam.	New Back (2066 & Later Batch)		
Level	BE	Full Marks	40
Programme	All (Except B.Arch)	Pass Marks	16
Year / Part	I / II	Time	3 hrs.

Subject: - Engineering Drawing II (ME451)

- ✓ Candidates are required to give their answers in their own words as far as practicable.
- ✓ Attempt **All** questions.
- ✓ The figures in the margin indicate **Full Marks**.
- ✓ Assume suitable data if necessary.

1. Draw Isometric drawing of the object shown by figure below.

[10]



2. A square prism of base 30 mm×30 mm base and height 50 mm is lying in the ground. One of its sides of the base makes angle 30° with the PP and nearest corner is 10 mm behind the PP. The station point is 40 mm in front of PP and 70 mm above from GP and containing by central plane. Draw the perspective view.
3. Sketch top view and sectional front view for a double riveted, double strap zig-zag butt joint, where d=12 mm.

[6]

[5]

OR

In the free hand sketch make complete fit analysis of the following symbols. 60S6/h12 given: F.D. for 'h' and 'S' are 0.00 and -0/42 respectively; ITG for 6 and 12 are 0.019 and 0.30 respectively. [Indicate type of fit, allowance, upper and lower deviation and shaft basis or hole basis system]

4. Sketch symbols of followings:

- | | |
|----------------|--|
| i) Pond | vi) Surface to be obtained without removal of material |
| ii) School | vii) Surface to be coated |
| iii) Amplifier | viii) Fluorescent bulb |
| iv) Nipple | ix) Fillet weld |
| v) 90° elbow | x) Cross |

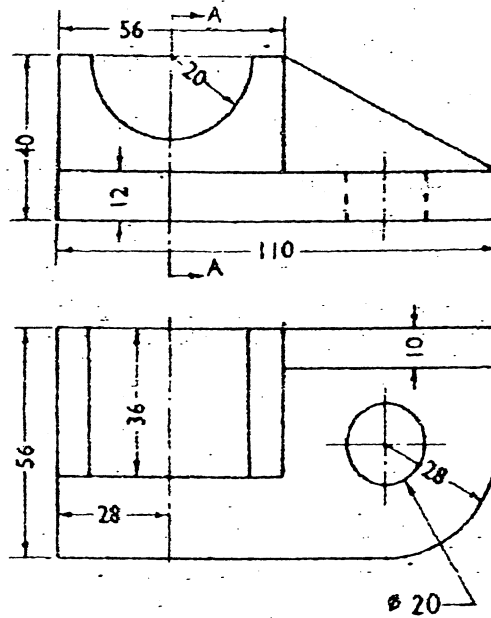
OR

Exam.	Regular		
Level	BE	Full Marks	40
Programme	All (Except B.Arch.)	Pass Marks	16
Year / Part	I / II	Time	3 hrs.

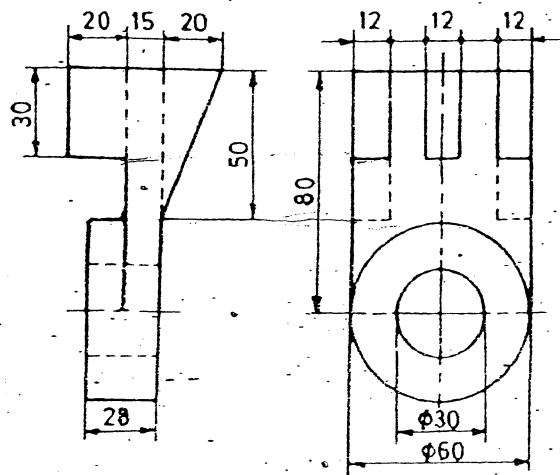
Subject: - Engineering Drawing II (ME451)

- ✓ Candidates are required to give their answers in their own words as far as practicable.
- ✓ Attempt All questions.
- ✓ The figures in the margin indicate Full Marks.
- ✓ Assume suitable data if necessary.

1. Orthographic views of an object are shown in figure. Draw its isometric view. [10]



2. Draw oblique drawing of the object shown in figure. [6]



3. Sketch the top view and sectional front view of double row, zig-zag type lap riveted joint. Take diameter of the rivet as 12 mm. [5]

OR

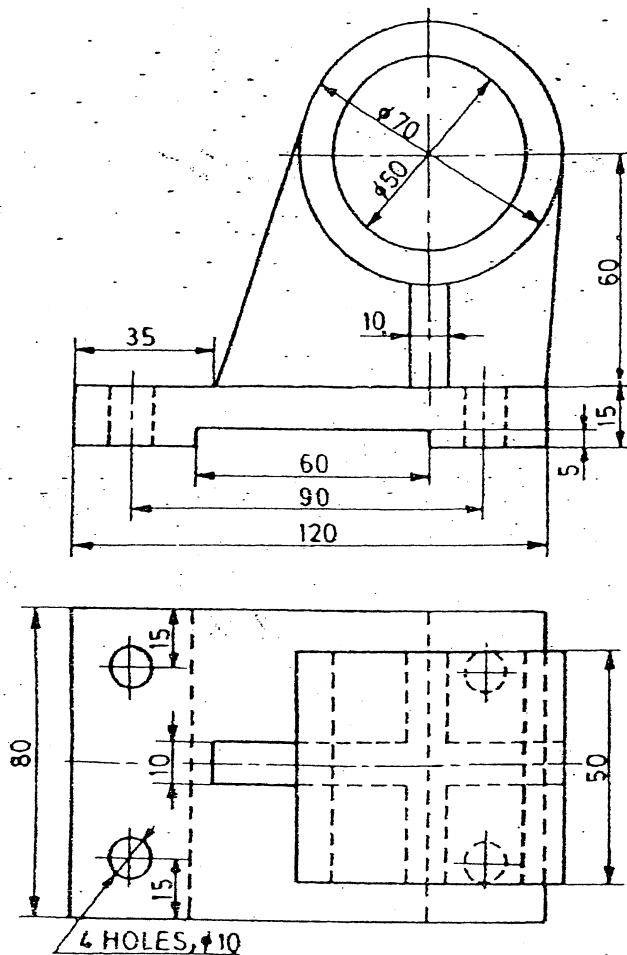
Determine the limits of dimensions and type of fit designated by H7/s6 for the basic size of 100 mm. Take fundamental deviation for H and s respectively as 0.000 and 0.071 mm and international tolerance grades for 7 and 6 as 0.035 and 0.022 mm respectively. [5]

4. Sketch freehand graphical symbol of [5]

- | | | | |
|--------------------|----------------|--------------|-----------------|
| a) Battery | b) Plug | c) Switch | d) DC Generator |
| e) Reducer | f) Bridge | g) Spot Weld | h) Cross |
| i) External Thread | j) Check Valve | | |

OR

Draw full sectional front view of object shown in figure. [5]

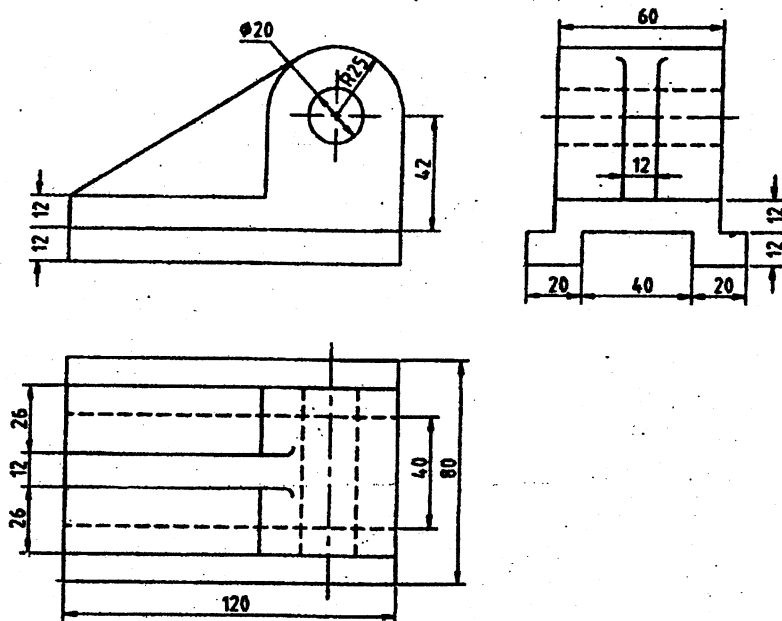


Exam.	Regular (2066 & Later Batch)		
Level	BE	Full Marks	40
Programme	All (except B. Arch.)	Pass Marks	16
Year / Part	I / II	Time	3 hrs.

Subject: - Engineering Drawing II (ME451)

- ✓ Candidates are required to give their answers in their own words as far as practicable.
- ✓ Attempt All questions.
- ✓ The figures in the margin indicate Full Marks.
- ✓ Assume suitable data if necessary.

1. Figure below shows the orthographic projections of a guide bracket for a horizontal spindle. Draw its isometric view. [10]



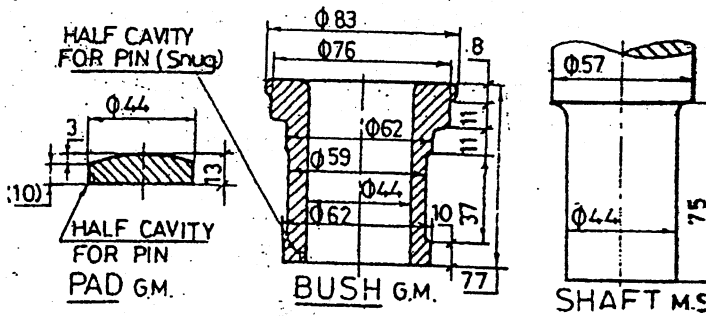
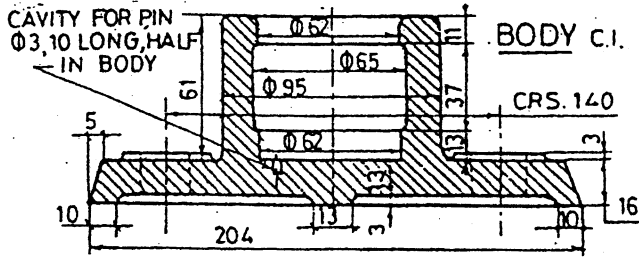
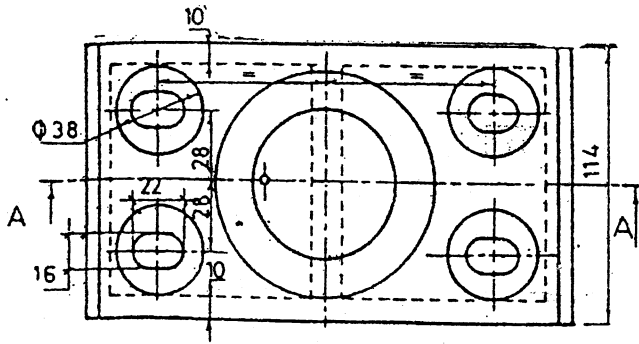
A solid square prism of 30mm side and height 60mm is resting with its base on the ground plane such that its rectangular faces are inclined at 45 degree to the picture plane and the vertical edge nearer to the PP is 15mm behind it. The station point is 60mm in front of PP, 100mm above ground plane and lies in the central plane, which passes from the center of prism. Draw perspective view of the prism. [5]

3. Determine the limits of dimensions for the H6/s7, type of fit and fundamental deviations for the basic size of 50mm, assuming fundamental deviation for "H" and "s" respectively as 0mm above the basic size line and 0.034mm above the basic size line and international tolerance grades for "6" and "7" as 0.016mm and 0.025mm respectively. [5]

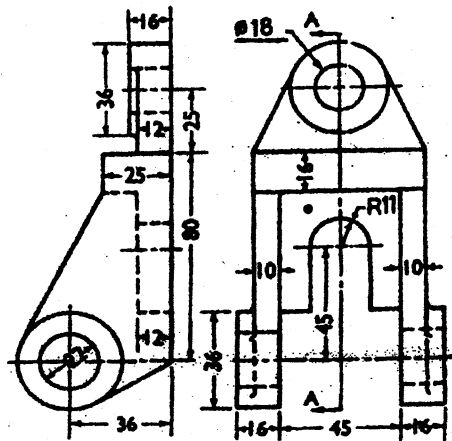
OR

Sketch sectional front view and top view of double row, zig-zag type, double strap butt riveted joint. [5]

4. Draw an assembled sectional front view and top view from the following detail drawings shown in figure below. [15]



5. Orthographic projection of an object in first angle projection is shown in figure below. Draw its sectional front view section A-A. [5]



OR

Sketch the symbols for the following.

- | | |
|-------------------------------------|-----------------------|
| a) NPN type transistor | b) Transformer |
| c) Hill contour | d) Single phase motor |
| e) Siren | f) Internal thread |
| g) Elbow 90° | h) Fillet |
| i) Surface to be obtained by filing | j) Highway bridge |

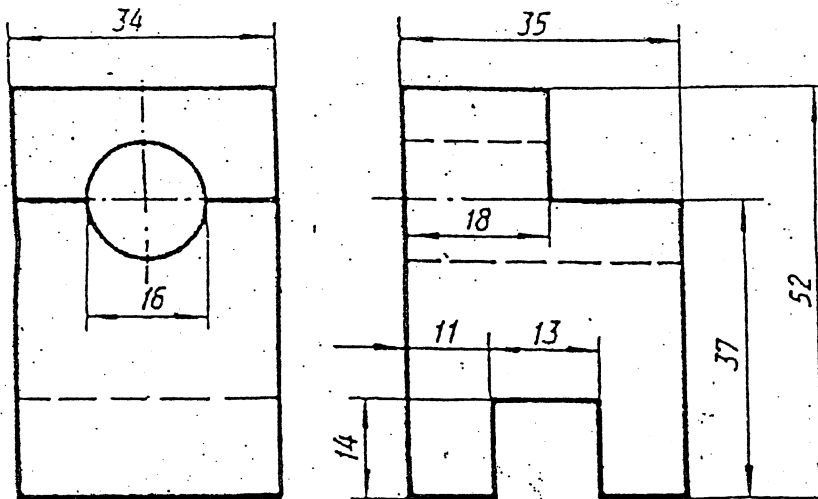
Exam.	Regular		
Level	BE	Full Marks	40
Programme	All (Except B.Arch.)	Pass Marks	16
Year / Part	I / II	Time	3 hrs.

Subject: - Engineering Drawing II

- ✓ Candidates are required to give their answers in their own words as far as practicable.
- ✓ Attempt All questions.
- ✓ The figures in the margin indicate Full Marks.
- ✓ Assume suitable data if necessary.

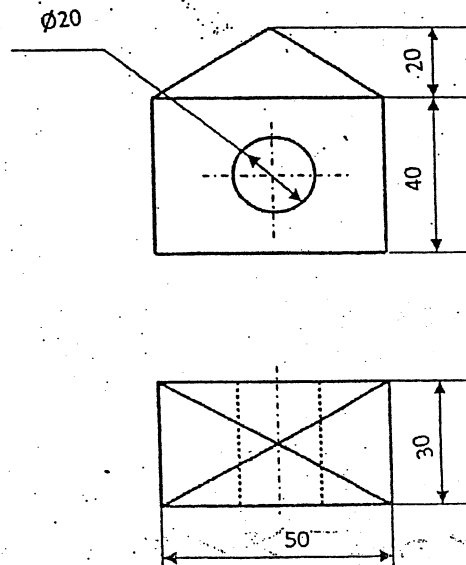
1/ Draw isometric drawing of an object shown in figure below.

[9]



2/ Draw the angular perspective views from given orthographic projections as shown in figure below.

[7]



3/ Draw the standard symbols for the following:

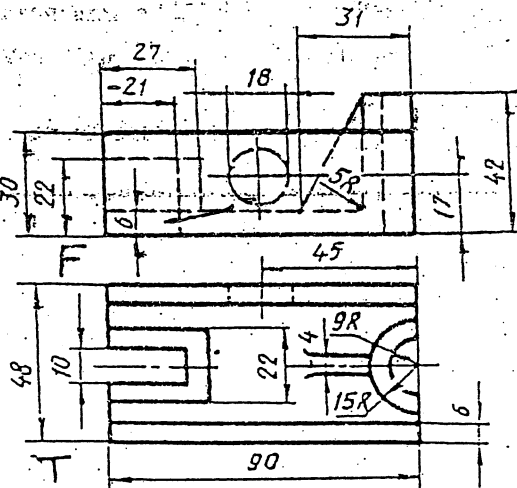
[5]

- | | |
|----------------------------------|--------------------------|
| a) Square butt | b) Cap |
| c) Surface to obtained by filing | d) Amplifier |
| e) PNP-type transistor | f) AC motor single phase |
| g) Angle | h) Antenna |
| i) Lake | j) Hill contours |

OR

Replace front view by sectional view of figure below.

[5]



4. Determine the limits of dimensions and type of fit designated by $60\text{ H}8/f7$, assuming fundamental deviation for H and f respectively as $0\text{ }\mu\text{m}$ above the basic size line and $25\text{ }\mu\text{m}$ below the basic size line and the values of international tolerance grades for 8 and 7 as $39\text{ }\mu\text{m}$ and $25\text{ }\mu\text{m}$.

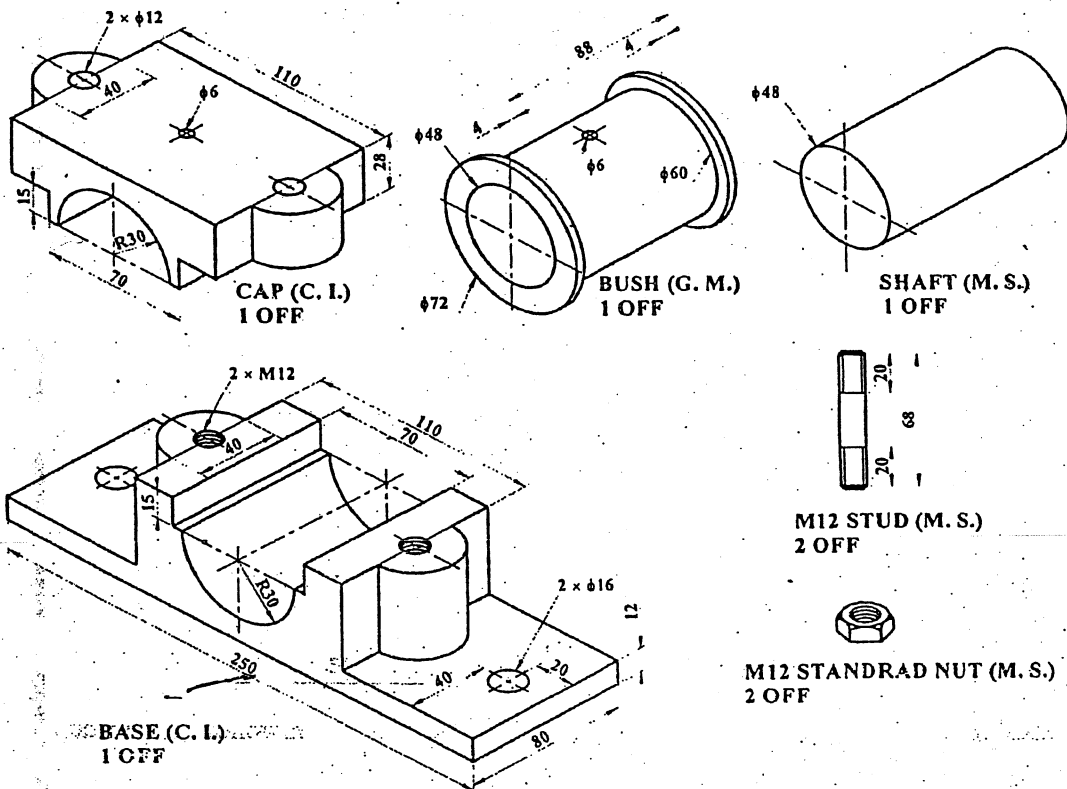
[5]

OR

Draw sectional front view and top view of double row, zig-zag type, single strap butt riveted joint.

5. Draw the assembled front view with section from the following detail drawings shown in figure below.

[14]

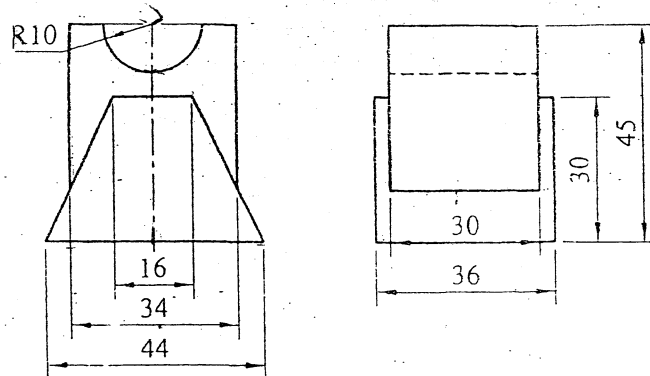


Exam:	Regular / Back		
Level	BE	Full Marks	40
Programme	All (Except B.Arch.)	Pass Marks	16
Year / Part	I / II	Time	3 hrs.

Subject: - Engineering Drawing II

- ✓ Candidates are required to give their answers in their own words as far as practicable.
- ✓ Attempt All questions.
- ✓ The figures in the margin indicate Full Marks.
- ✓ Necessary figures are attached herewith.
- ✓ Assume suitable data if necessary.

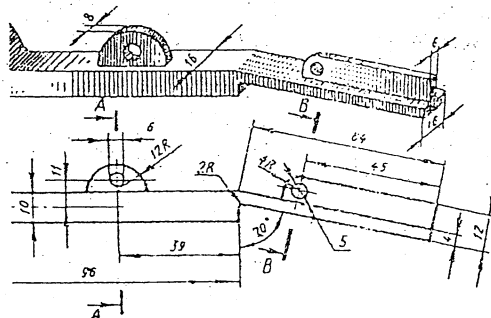
1. Orthographic views of an object are shown in figure below. Draw its isometric view. [10]



2. A solid box of size $60 \times 45 \times 40$ mm is resting with its base (60×45) on the ground plane. Draw its angular perspective view with its vertical faces equally inclined to the picture plane (PP) and the nearest vertical edge is touching the PP. The station point is 80mm above ground level, 40mm away from the PP and the central plane passes from the vertical edge which is touching the PP. [5]

3. The production drawing of coupling is shown in figure 3. Draw its assembled half sectional front view and side view. [15]

4. Sketch revolved section at A-A and removed section at B-B for the link as shown in figure below. [5]



OR

Sketch the graphical symbols for the following. [5]

- | | |
|--------------------------------|--------------------|
| a) End view of external thread | b) Capacitor |
| c) Square section | d) Resistor |
| e) Thermocouple | f) Hill contour |
| g) Delta connection | h) Circuit breaker |
| i) V-weld | j) Church |

5. Determine limits, tolerance, allowance and types of fit designated by 80T8/h5. The value of fundamental deviation given by 'h' is zero and 'T' is -0.024mm . International tolerance grades for 8 and 5 are 0.032mm and 0.014mm respectively. [5]

OR

Sketch the single strap, double row, zig zag butt joint with top view and sectional front view. [5]

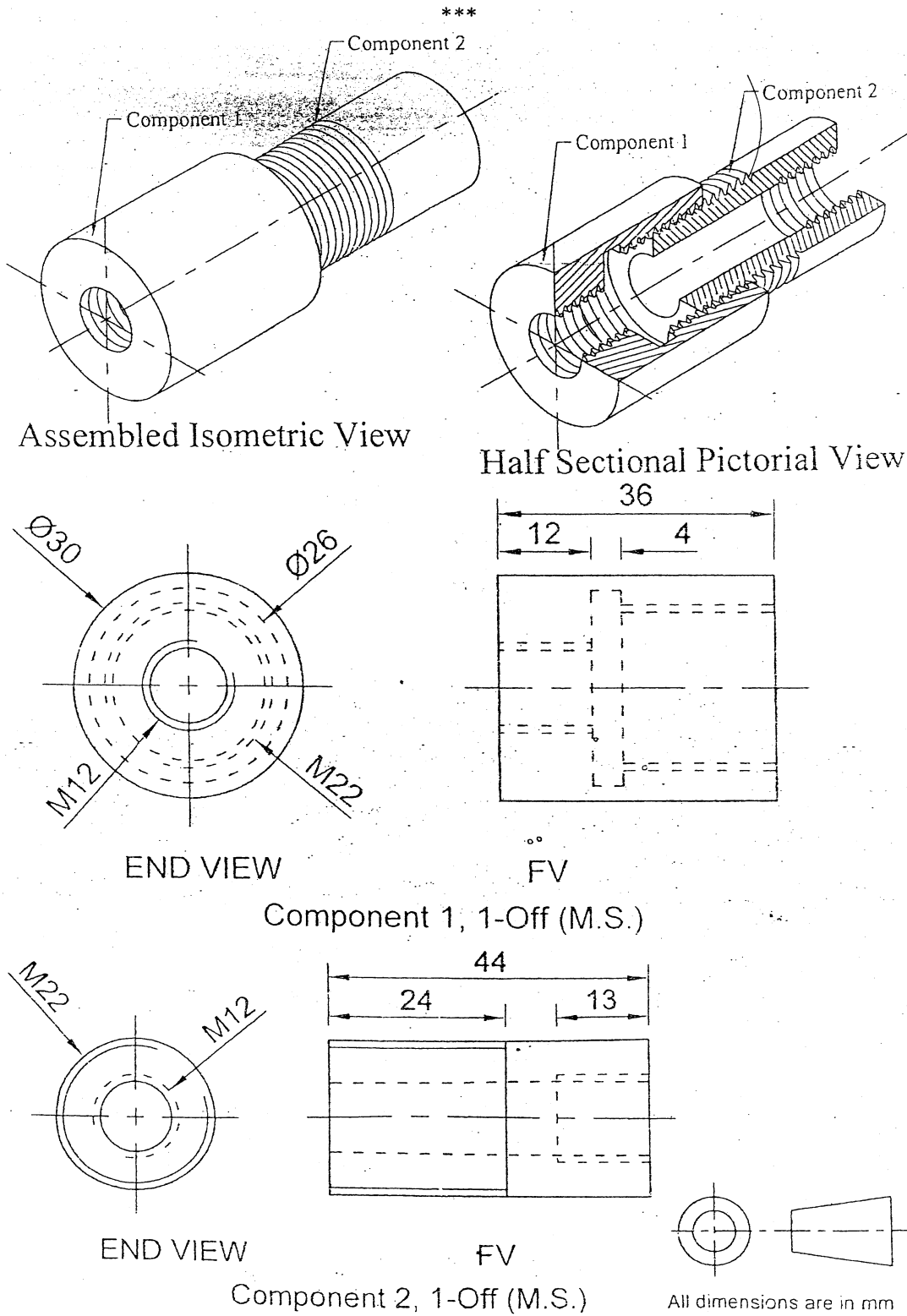


Figure 3

Exam. Level	New Back (2066 Batch Only)		
	BE	Full Marks	40
Programme	All (Except B.Arch.)	Pass Marks	16
Year / Part	I / II	Time	3 hrs.

Subject: - Engineering Drawing II

- ✓ Candidates are required to give their answers in their own words as far as practicable.
- ✓ Attempt **All** questions.
- ✓ The figures in the margin indicate **Full Marks**.
- ✓ Necessary figures are attached herewith.
- ✓ Assume suitable data if necessary.

1. Orthographic views of an object are shown in Figure 1. Draw its isometric view. [10]
2. A solid cube having 50mm sides, is resting with its flat base on the ground plane. Draw its angular perspective view with its vertical faces equally inclined to the picture plane (PP) and the nearest vertical edge is touching the PP. The station point is 80mm above ground level, 40mm away from the PP and the central plane passes from the centre of the solid cube. [5]
3. The production drawing of coupling is shown in figure 3. Draw its assembled half sectional front view and the side (or end) view. [15]

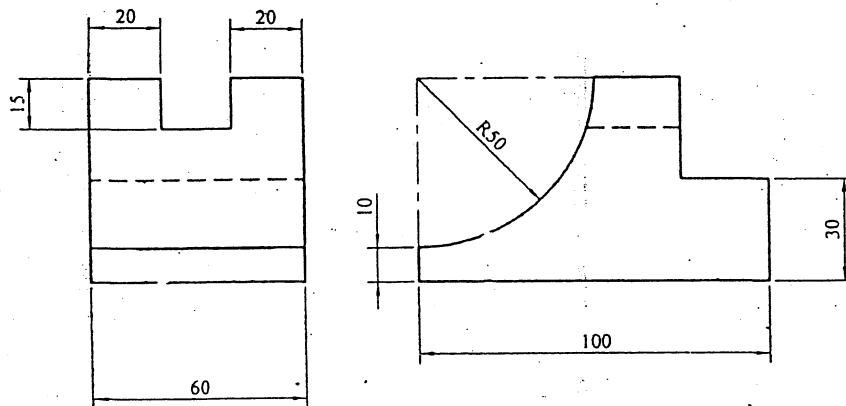


Figure 1

4. Sketch revolved section at A-A and removed section at B-B for the link as shown in figure 4. [5]

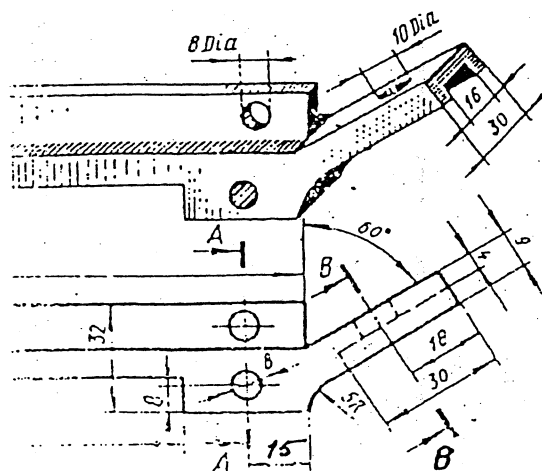


Figure 4

OR

OR

Sketch the symbols for the following:

[5]

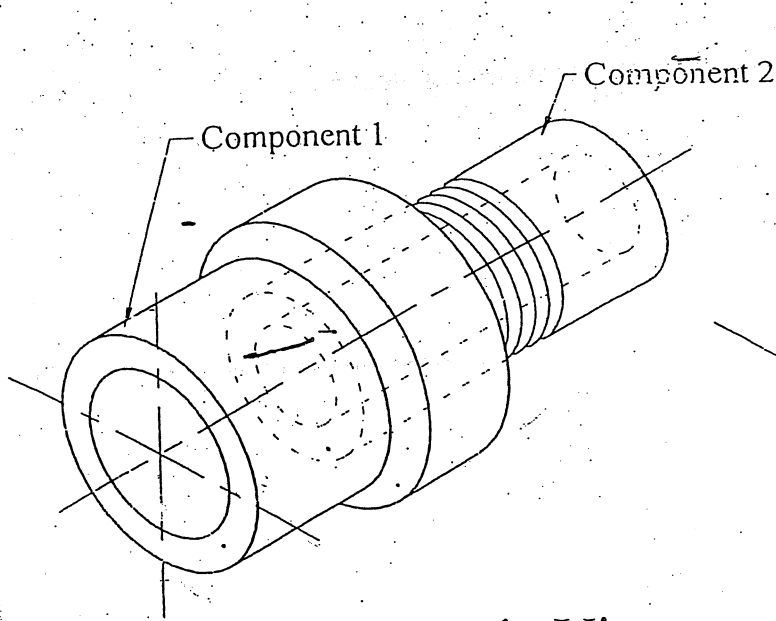
- | | |
|-----------------------|----------------------------|
| a) Single U Butt weld | b) Reducing pressure valve |
| c) Wall mounted fan | d) Siren |
| e) Rectifier | f) Antenna |
| g) Capacitor | h) Multidirectional lay |
| i) Embankment | j) Thermocouple |
5. Determine limits, tolerance, allowance and types of fit designated by 60B7/h8. The fundamental deviation of hole is 0.042 mm more than fundamental deviation of shaft. International tolerance grades for ϕ and δ are 0.024 mm and 0.021 mm respectively. The value of fundamental deviation given by 'h' is zero.

[5]

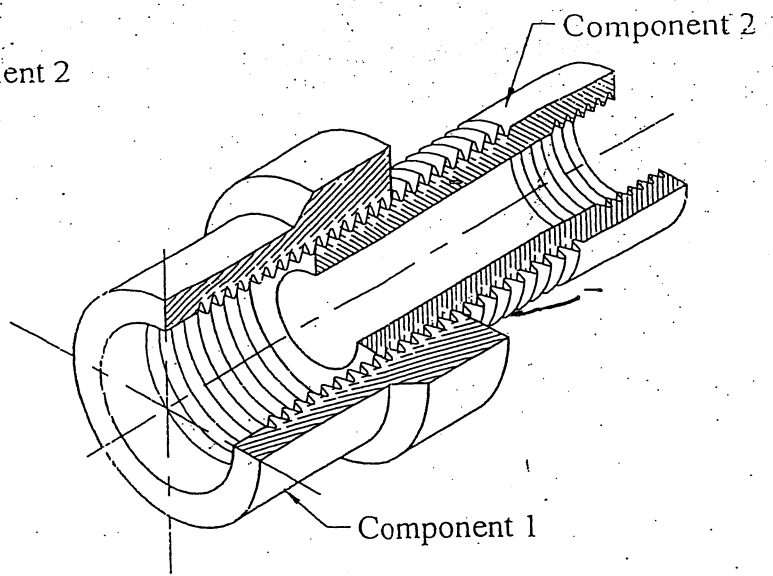
OR

Sketch the triple row, zigzag lap joint with top view and sectional front view.

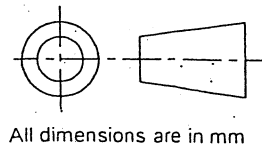
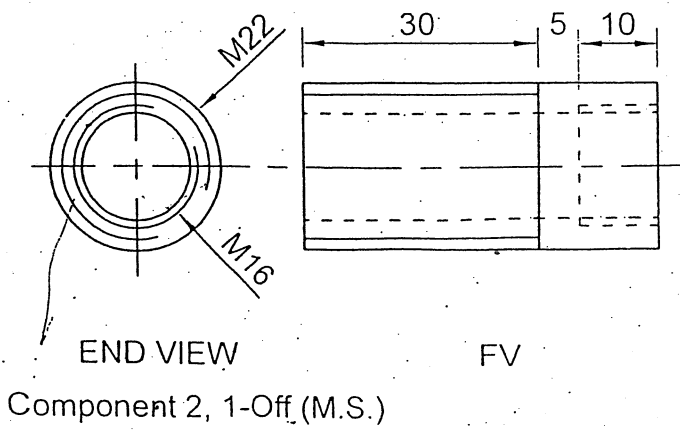
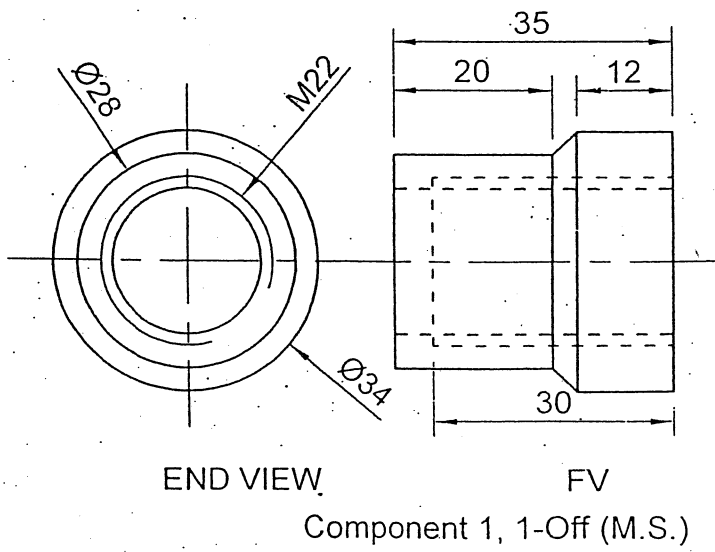
[5]



Assembled Isometric View

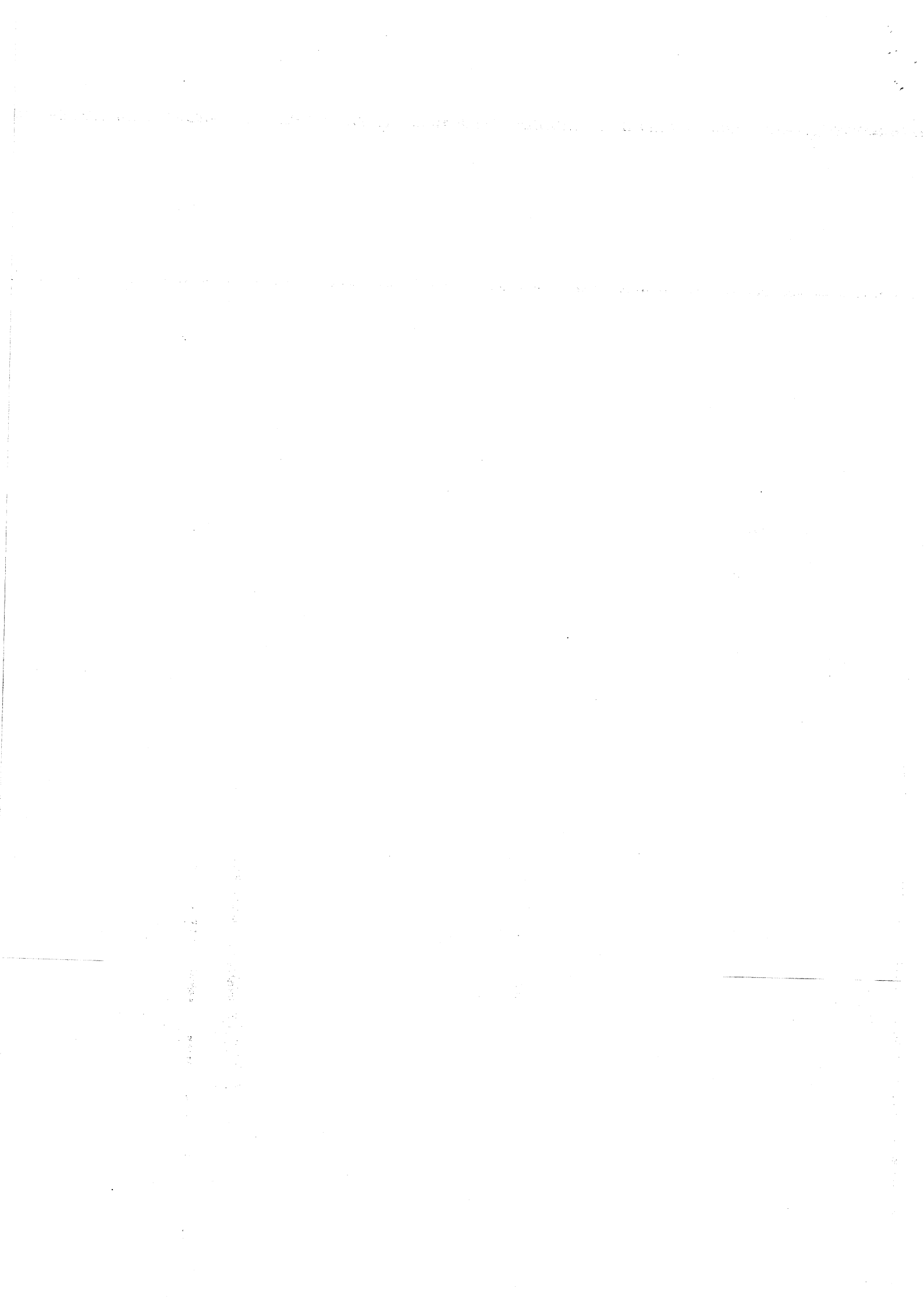


Half Sectional Pictorial View



All dimensions are in mm

Fig. 3

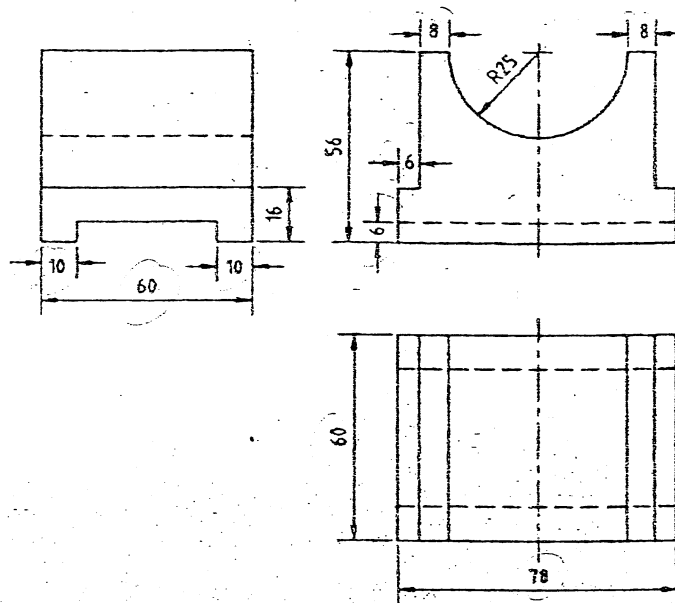


Exam.	Regular/Back		
Level	BE	Full Marks	40
Programme	BCE, B.Agr.	Pass Marks	16
Year / Part	I / II	Time	3 hrs.

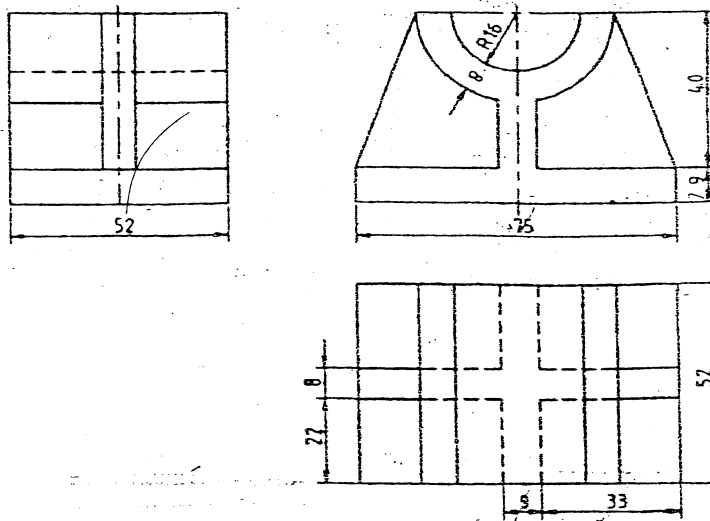
Subject: - Engineering Drawing II

- ✓ Candidates are required to give their answers in their own words as far as practicable.
- ✓ Attempt *All* questions.
- ✓ The figures in the margin indicate Full Marks.
- ✓ Dimensions in mm if not specified.
- ✓ Assume suitable data if necessary.

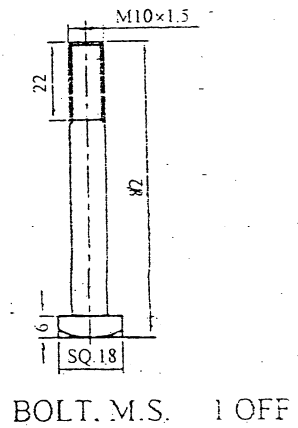
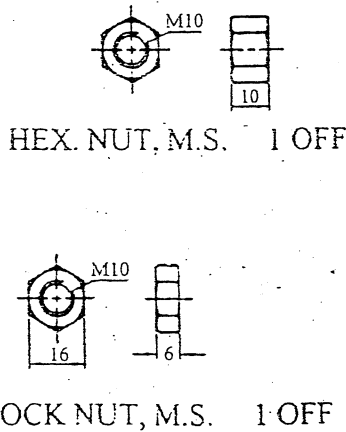
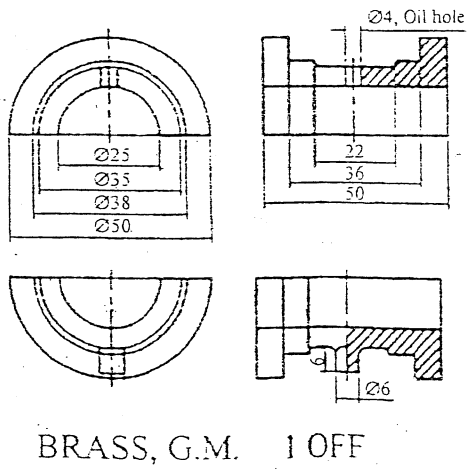
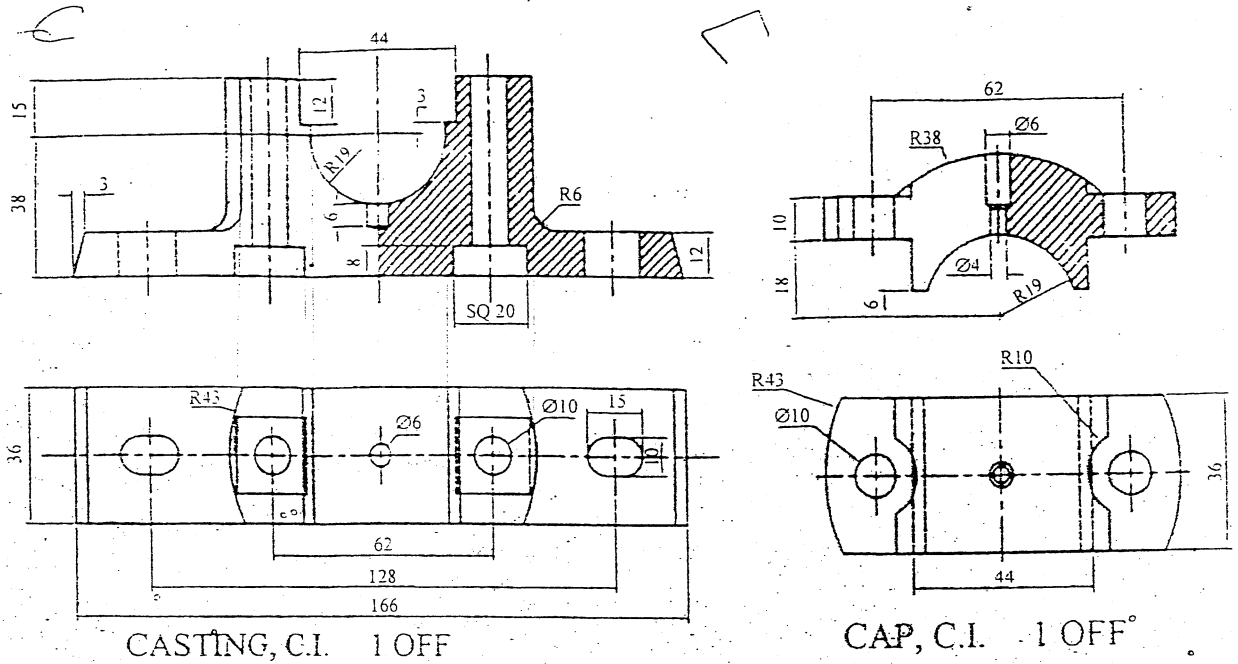
1. Orthographic views of an object are shown in figure. Draw its isometric view. [9]



2. Orthographic views of an object are shown in figure. Draw its oblique view. [6]



3. The production drawing of plumber block is shown in figure. Draw its assembled half sectional front view. [15]



4. Determine the limits of dimensions and type of fit designated by H8/d9 for the basic size of 50mm, assuming fundamental deviation for H and d respectively as 0 μm and 80 μm below the basic size line and international tolerance grades for 8 and 9 as 39 μm and 62 μm respectively. [5]

OR

Sketch the plan and sectional elevation of double riveted zig-zag lap joint.

5. Draw the standard symbols for the followings: [5]

- | | |
|------------------------|------------------|
| a) Seam Weld | b) Field Weld |
| c) Union | d) Globe Valve |
| e) Channel Section | f) I Beam |
| g) Two way Switch | h) 3-phase Motor |
| i) Depression Contours | j) Capacitor |

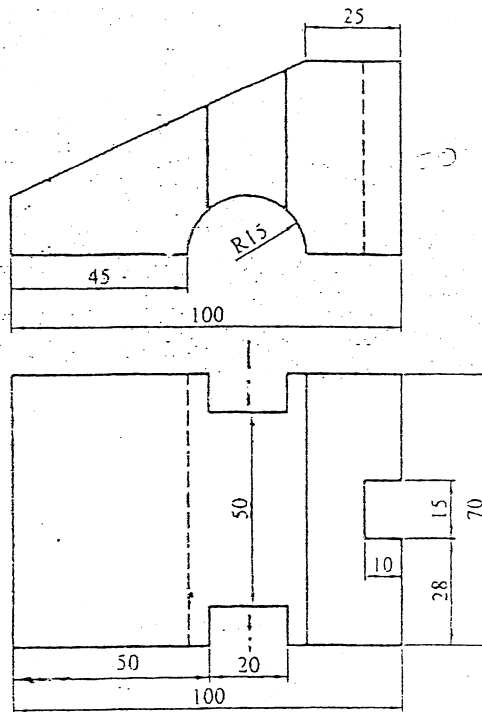
2066 Magh

Level	BE	Full Marks	40
Programme	BEL, BEX, BCT, BME, BIE	Pass Marks	16
Year / Part	I / II	Time	3 hrs.

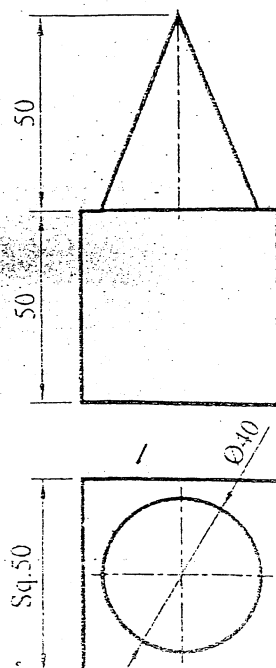
Subject: - Engineering Drawing II

- ✓ Candidates are required to give their answers in their own words as far as practicable.
- ✓ Attempt All questions.
- ✓ The figures in the margin indicate Full Marks.
- ✓ Assume suitable data if necessary.

1. Orthographic views of an object are shown in given figure. Draw its oblique view. [9]

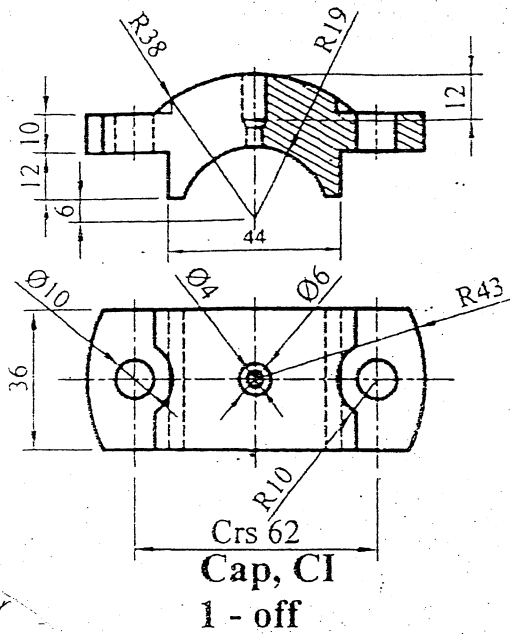


2. Draw the oblique view of object from the given orthographic views as shown in given figure. [6]



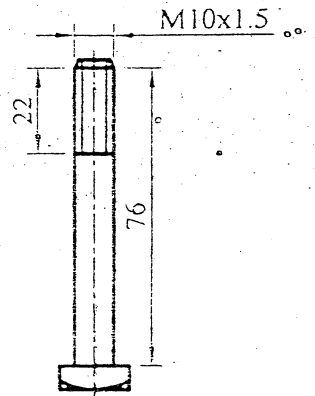
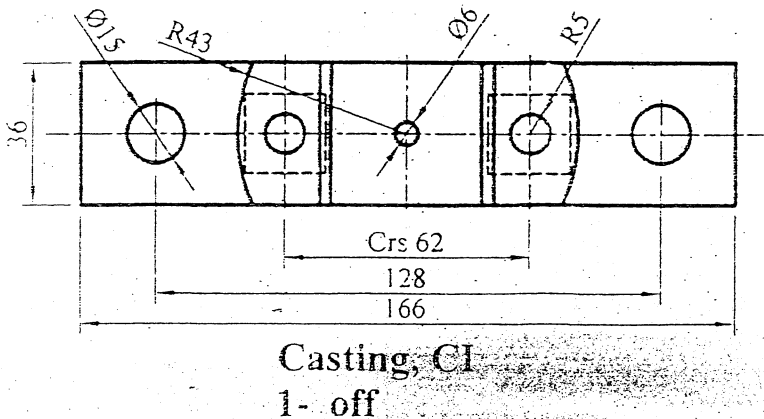
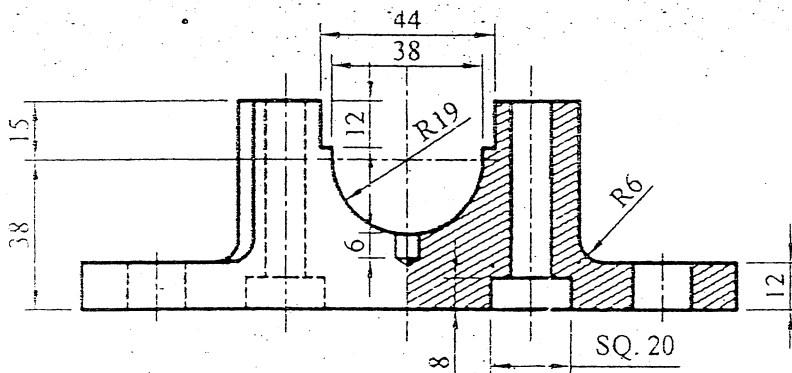
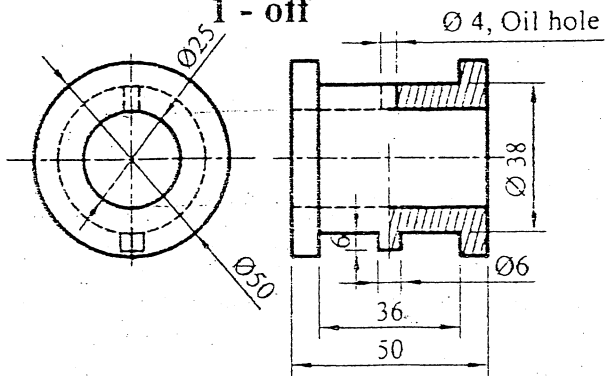
Plummer block in given figure.

[15]

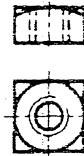


Brass, GM

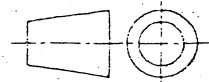
1 - off



Sq. M10x1.5 Bolt
2 - off



Sq. M10x1.5 Nut
2 - off



All dimensions are in mm.

4. Determine limits, tolerance, allowance and type of fit designated by 55T8/h5. The value of fundamental deviation 'T' is -0.024mm . International tolerance grades values for 8 and 5 are 0.031mm and 0.013mm respectively. [5]

5. Draw the standard symbols for the following: [5]

- | | |
|-----------------------|--------------------------------|
| a) Seam Weld | b) Cap |
| c) Incandenscent lamp | d) Surface produced by casting |
| e) Nipple | f) Tubular structural member |
| g) Resistor | h) Depression counter |
| i) Bell | j) End view of external thread |